

6 mm (1/4") Pump
Maximum Flow Rate:
21.6 lpm (5.7 gpm)

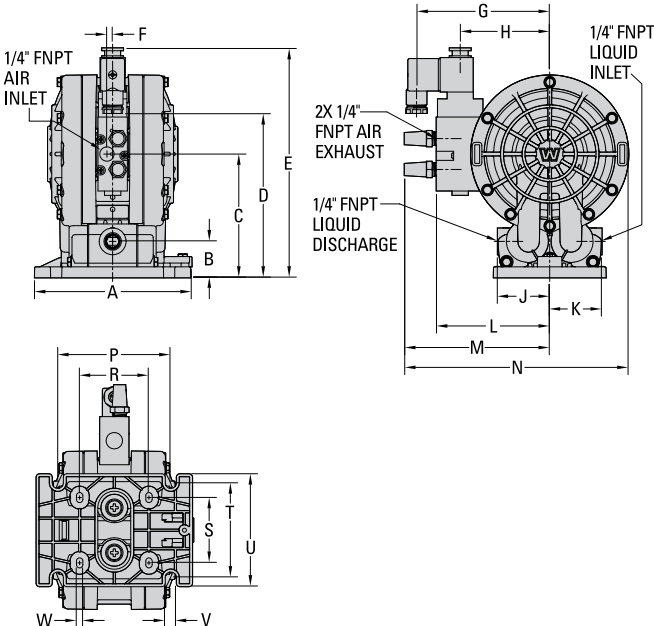
DIMENSIONAL DRAWINGS

PUMP DATA

Specifications:

Ship Weight..... 2 kg (4 lb)
 Air Inlet 6 mm (1/4")
 Liquid Inlet..... 6 mm (1/4")
 Liquid Outlet..... 6 mm (1/4")

A2550V Plastic



DIMENSIONS

ITEM	METRIC (mm)	STANDARD (inch)
A	138	5.4
B	32	1.3
C	108	4.3
D	143	5.6
E	201	7.9
F	5	0.2
G	116	4.6
H	78	3.1
J	46	1.8
K	46	1.8
L	99	3.9
M	127	5.0
N	196	7.7
P	98	3.9
R	60	2.4
S	57	2.2
T	83	3.3
U	98	3.9
V	10	0.4
W	6	0.2

LW0353 REV. D



22069 Van Buren Street
 Grand Terrace, CA 92313-5607 USA
 O: +1 (909) 422-1730 F: +1 (909) 783-3440
 www.psgdover.com



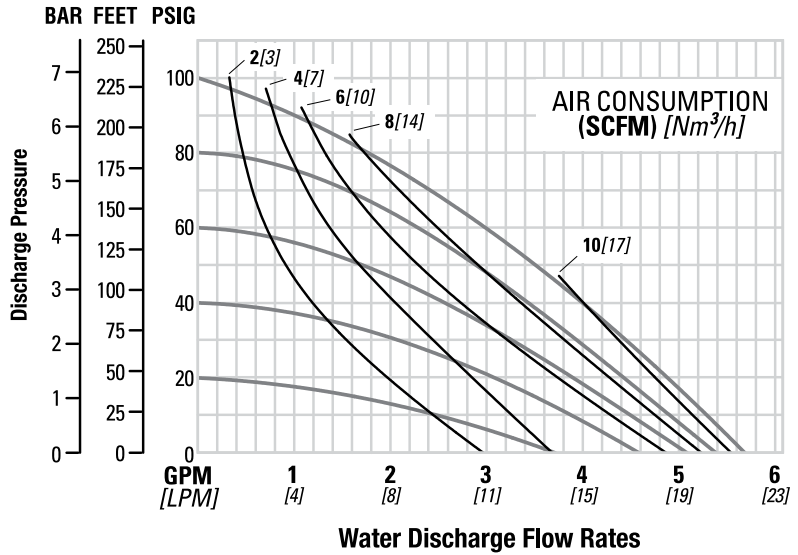
SPEC SHEET

VELOCITY SERIES PLASTIC PUMP

PERFORMANCE

V2550 PLASTIC PTFE-FITTED

Max. Flow Rate 21.6 lpm (5.7 gpm)
 Max. Inlet Pressure 6.9 bar (100 psig)
 Max. Solids Passage 0.8 mm (1/32")
 Max Suction Lift 4.3 m Dry (14.2')
 6.2 m Wet (20.4')



A2550V PLASTIC PTFE-FITTED

Max. Flow Rate 14.8 lpm (3.9 gpm)
 Max. Inlet Pressure 6.9 bar (100 psig)
 Max. Solids Passage 0.8 mm (1/32")
 Max Suction Lift 4.3 m Dry (14.2')
 6.2 m Wet (20.4')

