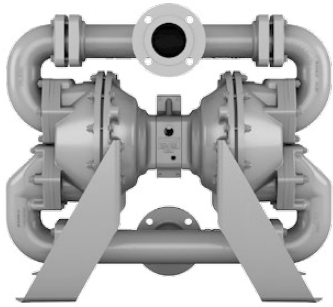


PS1510 BRAHMA METAL PUMP

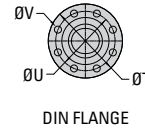
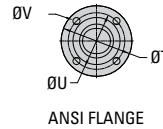
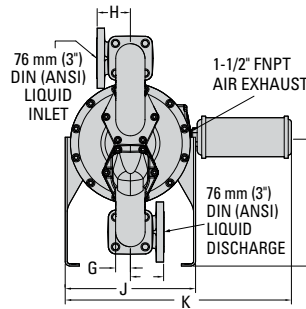
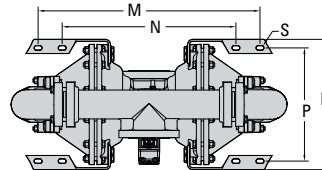
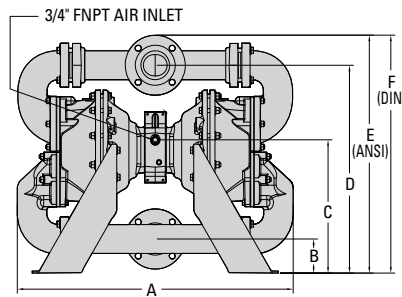
76 mm (3") Pump
Maximum Flow Rate:
882 lpm (233 gpm)



PS1510 METAL

DIMENSIONAL DRAWING

PS1510 Metal



DIMENSIONS

ITEM	METRIC (mm)	STANDARD (inch)
A	874	34.4
B	107	4.2
C	422	16.6
D	658	25.9
E	754	29.7
F	757	29.8
G	46	1.8
H	104	4.1
J	411	16.2
K	716	28.2
L	401	15.8
M	704	27.7
N	551	21.7
P	358	14.1
R	411	16.2
S	8.0	0.3
	DIN (mm)	ANSI (inch)
T	200 DIA.	7.5 DIA.
U	160 DIA.	6.0 DIA.
V	18 DIA.	0.8 DIA.

LW0284 REV. B

PUMP DATA

Specifications:

- Ship Weight.....Aluminum 81 kg (179 lb)
 Ductile Iron 159 kg (350 lb)
- Air Inlet 19 mm (3/4")
- Liquid Inlet..... 76 mm (3")
- Liquid Outlet..... 76 mm (3")

PS1510 BRAHMA METAL PUMP

PERFORMANCE

PS1510 METAL RUBBER-FITTED

Max. Flow Rate.....882 lpm (233 gpm)
 Max. Inlet Pressure8.6 bar (125 psig)
 Max. Solids Passage.....76 mm (3")
 Max. Suction Lift.....7.1 m Dry (23.3')
 9.0 m Wet (29.5')

