

## **PARTS LIST**

### **PUMP**

### **A18 A**

Keep this parts lists with Installation, Operation and Maintenance Instructions.

To order the required spare parts, indicate the desired Reference(s).

- ◆ Sets of parts or parts available to order.

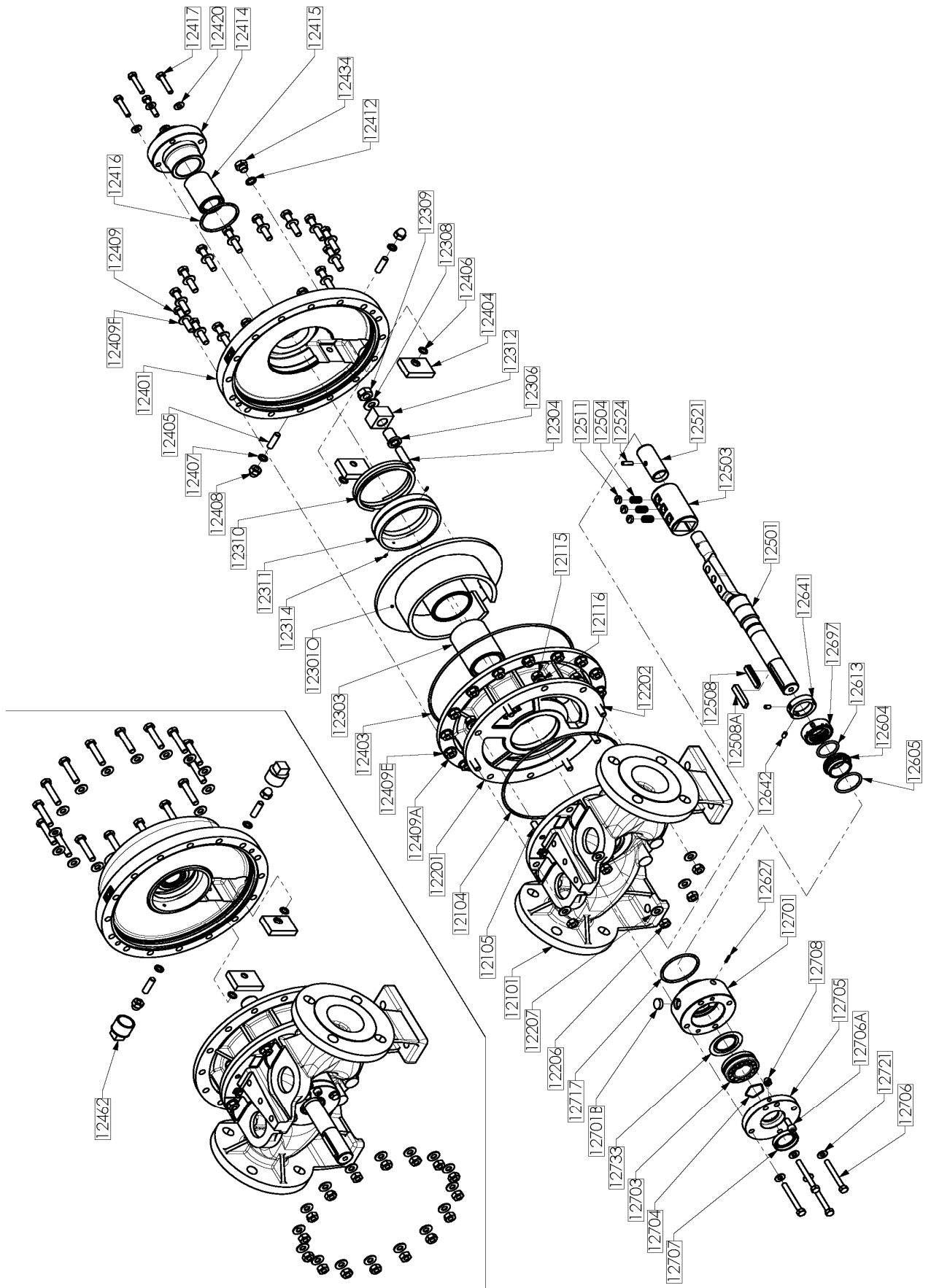
Z.I. la Plaine des Isles - 2 rue des Caillottes F-89000 AUXERRE - France

Tel : +33 (0)3 86 49 86 30 • Fax : +33 (0)3 86 49 87 17

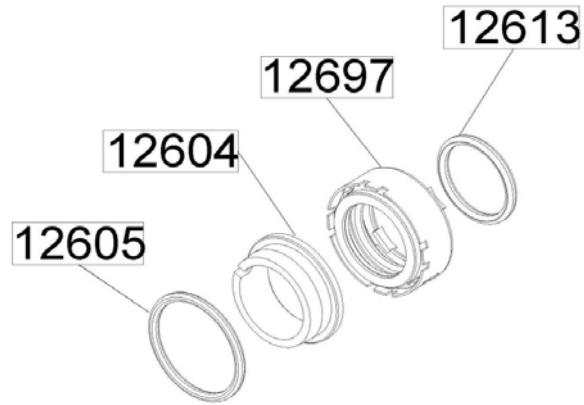
contact.mouvex@psgdover.com • www.mouvex.com

# A18 A

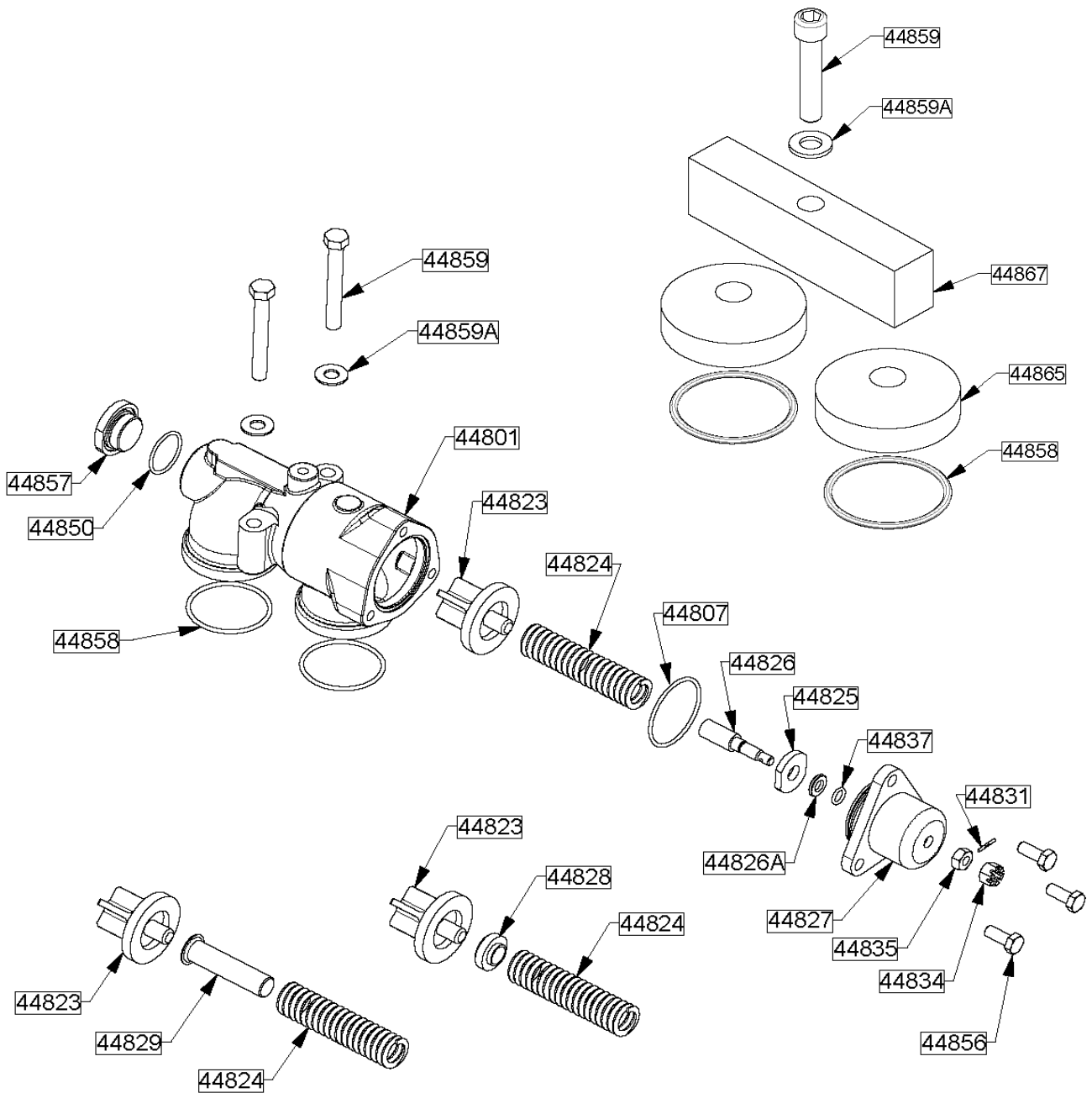
Heating jacket



## Mechanical seal



## Bypass & Stirrup



# A18 A

\* 1, 2, 4... : Quantity in equipment - (1), (2), (4)... : Quantity in kit

Item	Available	Description	Qty*	Ref.	Maintenance kit	Wear part
12097	◆	SET OF SCREWS-SEALS (PISTON INSPECTION) - FEP-FKM	1	AUX316421	■	
12097	◆	SET OF SCREWS-SEALS (PISTON INSPECTION) - FKM	1	AUX316420	■	
12403	◆	O-RING - FKM	1	AUX200840		●
12403	◆	O-RING - FEP-FKM	1	AUX229302		●
12409		SCREW	(16)			
12409A		NUT	(16)			
12409E		WASHER	(16)			
12409F		WASHER	(16)			
12412		SEAL	(1)			●
12524		PIN	(1)			
12098	◆	FULL SET OF SCREWS	1	AUX316174		
12105		STUD	(5)			
12115		NUT	(5)			
12116		WASHER	(5)			
12202		STUD	(5)			
12206		NUT	(5)			
12207		WASHER	(5)			
12409		SCREW	(16)			
12409A		NUT	(16)			
12409E		WASHER	(16)			
12409F		WASHER	(16)			
12417		SCREW	(4)			
12420		WASHER	(4)			
12706		SCREW	(4)			
12706A		SCREW	(1)			
12721		WASHER	(4)			
12099	◆	SET OF FEP-FKM 'O' RING SEALS	1	AUX316176	■	
12099	◆	SET OF FKM 'O' RING SEALS	1	AUX316175	■	
12104		SEAL	(1)			●
12403	◆	O-RING - FKM	1	AUX200840		●
12403	◆	O-RING - FEP-FKM	1	AUX229302		●
12406		SEAL	(2)			●
12416		SEAL	(1)			●
12717		SEAL	(1)			●
12100	◆	MAIN BODY WITH FLANGES COMPATIBLE WITH OLD A SERIES, COMPLETE	1	AUX316178		
12100	◆	MAIN BODY PN16 PN20, COMPLETE	1	AUX316177		
12101		MAIN BODY	(1)			
12105		STUD	(5)			
12200	◆	CYLINDER, COMPLETE - FKM	1	AUX316179	■	
12200	◆	CYLINDER, COMPLETE - FEP-FKM	1	AUX316445	■	
12104		SEAL	(1)			●
12115		NUT	(5)			
12116		WASHER	(5)			
12201		CYLINDER	(1)			●
12202		STUD	(5)			
12206		NUT	(5)			
12207		WASHER	(5)			

# A18 A

\* 1, 2, 4... : Quantity in equipment - (1), (2), (4)... : Quantity in kit

Item	Available	Description	Qty*	Ref.	Maintenance kit	Wear part
12300	◆	COMPLETE PISTON - BRONZE BUSHING	1	AUX316733	■	
12300	◆	COMPLETE PISTON - CARBON BUSHING	1	AUX316180	■	
123010		PISTON + BLOCK PIN	(1)			●
12301		PISTON	(1)			●
12304	◆	SLIDE BLOCK SHAFT	1	AUX203915		●
12303	◆	PISTON BUSHING (CARBON)	1	AUX316201		●
12303	◆	PISTON BUSHING (BRONZE)	1	AUX230192		●
123980	◆	SLIDE BLOCK, COMPLETE	1	AUX316203		
12307	◆	SLIDE BLOCK + BUSHING	1	AUX316207		
12306		BUSHING	(1)			●
12312		SLIDE BLOCK	(1)			●
12308		WASHER	(1)			
12309		PISTON NUT	(1)			
12400	◆	COMPLETE FRONT COVER - FKM	1	AUX316183		
12400	◆	COMPLETE FRONT COVER - FEP-FKM	1	AUX316447		
12400	◆	COMPLETE FRONT COVER WITH JACKET - FEP-FKM	1	AUX316448		
12400	◆	COMPLETE FRONT COVER WITH JACKET - FKM	1	AUX316184		
12399	◆	PUSHER, COMPLETE	1	AUX316182		
12310		RESSORT DOS DE PISTON	(1)			
12311		PUSHER	(1)			
12314		PIN	(2)			
12401		FRONT COVER	(1)			
12402	◆	SLIDE BLOCK PADS SET COMPLETE - FKM	1	AUX316210		
12402	◆	SLIDE BLOCK PADS SET COMPLETE - FEP-FKM	1	AUX316451		
12404		GUIDE	(2)			
12405		STUD	(2)			
12406		SEAL	(2)			●
12407		SEAL	(2)			●
12408		BLIND NUT	(2)			
12403	◆	O-RING - FKM	1	AUX200840		●
12403	◆	O-RING - FEP-FKM	1	AUX229302		●
12409		SCREW	(16)			
12409A		NUT	(16)			
12409E		WASHER	(16)			
12409F		WASHER	(16)			
12411	◆	FRONT COVER DRAIN PLUG + SEAL	1	AUX316359		
12412		SEAL	(1)			●
12434		PLUG	(1)			
12462		PLUG (FOR HEATING JACKET)	(2)			
44808		BYPASS ORIENTATION PLATE	(1)			
44809		PIN	(2)			
12413	◆	FRONT COVER BEARING COMPLETE - BRONZE BUSHING - FEP-FKM	1	AUX316737		
12413	◆	FRONT COVER BEARING COMPLETE - BRONZE BUSHING - FKM	1	AUX315879		
12413	◆	FRONT COVER BEARING COMPLETE - CARBON BUSHING - FEP-FKM	1	AUX316455		
12413	◆	FRONT COVER BEARING COMPLETE - CARBON BUSHING - FKM	1	AUX316185		
12414		FRONT COVER BEARING	(1)			
12415	◆	BEARING BUSHING - CARBON	1	AUX316211		●
12415	◆	BEARING BUSHING - BRONZE	1	AUX230189		●
12416		SEAL	(1)			●
12417		SCREW	(4)			
12420		WASHER	(4)			

# A18 A

\* 1, 2, 4... : Quantity in equipment - (1), (2), (4)... : Quantity in kit

Item	Available	Description	Qty*	Ref.	Maintenance kit	Wear part
<b>12500</b>	◆	<b>SHAFT COMPLETE</b>	1	<b>AUX316186</b>		
12501	◆	SHAFT	1	AUX230250		
12508	◆	KEY	1	AUX211035		
12508A	◆	KEY	1	AUX203857		
12515	◆	COMPLETE SLEEVE	1	AUX316212		
12521		SLEEVE	(1)			
12524		PIN	(1)			
12598	◆	PISTON BEARING, COMPLETE	1	AUX316213		
12503		PISTON BEARING	(1)			●
12504		SPRING	(3)			
12511		SCREW	(3)			
<b>12600A *</b>	◆	<b>MECHANICAL SEAL - MS C_S_FEP-FKM D35</b>	1	<b>AUX316437</b>	■	
<b>12600A *</b>	◆	<b>MECHANICAL SEAL - MS C_S_FKM D35</b>	1	<b>AUX316436</b>	■	
<b>12600A *</b>	◆	<b>MECHANICAL SEAL - MS T_T_FEP-FKM D35</b>	1	<b>AUX316439</b>	■	
<b>12600A *</b>	◆	<b>MECHANICAL SEAL - MS T_T_FKM D35</b>	1	<b>AUX316438</b>	■	
12604		STATIONARY SEAL FACE	(1)			●
12619		BUSHING FOR FEP-FKM MECHANICAL SEAL	(1)			
12640	◆	DRIVER, COMPLETE D35 (FOR MOUVEX MECHANICAL SEAL)	1	AUX316424		
12641		DRIVER	(1)			
12642		SCREW	(2)			
12697		ROTATING PART	(1)			●
12699	◆	SET OF MECHANICAL SEAL SEALS - FEP-FKM	1	AUX316427		
12699	◆	SET OF MECHANICAL SEAL SEALS - FKM	1	AUX316426		
12605		SEAL	(1)			●
12613		SEAL	(1)			●
<b>12600B</b>	◆	<b>SHAFT SEALS STANDARDIZED IN ACCORDANCE M7N_35 C CSSP</b>	1	<b>AUX319741</b>	■	●
<b>12600B</b>	◆	<b>SHAFT SEALS STANDARDIZED IN ACCORDANCE M7N_35 C CSSF</b>	1	<b>AUX315968</b>	■	●
<b>12600B</b>	◆	<b>SHAFT SEALS STANDARDIZED IN ACCORDANCE M7N_35 C CSCSP</b>	1	<b>AUX319742</b>	■	●
<b>12600B</b>	◆	<b>SHAFT SEALS STANDARDIZED IN ACCORDANCE M7N_35 C CSCSF</b>	1	<b>AUX315970</b>	■	●
<b>12700</b>	◆	<b>BEARING HOLDER PGSN - FKM</b>	1	<b>AUX316191</b>		
<b>12700</b>	◆	<b>BEARING HOLDER PGSN - FEP-FKM</b>	1	<b>AUX316453</b>		
12627	◆	PIN	1	AUX200118		
12701		BEARING CAGE	(1)			
12701B		PLUG	(1)			
12703A	◆	BEARING & RING	1	AUX316430		
12703		BEARING	(1)			●
12733		NILOS RING	(1)			
12705		BEARING COVER	(1)			
12708		GREASE NIPPLE	(1)			
12797	◆	BEARING SCREWS AND GASKET SET - FEP-FKM	1	AUX316433	■	
12797	◆	BEARING SCREWS AND GASKET SET - FKM	1	AUX316432	■	
12704		RING	(1)			
12706		SCREW	(4)			
12706A		SCREW	(1)			
12707		LIP SEAL	(1)			
12717		SEAL	(1)			●
12721		WASHER	(4)			
<b>12849</b>	◆	<b>COMPLETE STIRRUP - FEP-FKM</b>	1	<b>AUX315871</b>		
<b>12849</b>	◆	<b>COMPLETE STIRRUP - FKM</b>	1	<b>AUX315870</b>		
44858	◆	O-RING FKM	2	AUX200795		●
44858	◆	SEAL FEP-FKM	2	AUX215301		●
44859		SCREW	(1)			
44859A		WASHER	(1)			
44865		PLUG	(2)			
44867		STIRRUP	(1)			

\* MS : Mouvex Seal T : Tungsten carbide C : Carbon S : Stainless steel

# A18 A

\* 1, 2, 4... : Quantity in equipment - (1), (2), (4)... : Quantity in kit

Item	Available	Description	Qty*	Ref.	Maintenance kit	Wear part
12820	◆	SINGLE RELIEF VALVE, COMPLETE - C12 - FEP-FKM	1	AUX315861		
12820	◆	SINGLE RELIEF VALVE, COMPLETE - C12 - FKM	1	AUX315857		
12820	◆	SINGLE RELIEF VALVE, COMPLETE - C3 - FEP-FKM	1	AUX315858		
12820	◆	SINGLE RELIEF VALVE, COMPLETE - C3 - FKM	1	AUX315854		
12820	◆	SINGLE RELIEF VALVE, COMPLETE - C6 - FEP-FKM	1	AUX315859		
12820	◆	SINGLE RELIEF VALVE, COMPLETE - C6 - FKM	1	AUX315855		
12820	◆	SINGLE RELIEF VALVE, COMPLETE - C9 - FEP-FKM	1	AUX315860		
12820	◆	SINGLE RELIEF VALVE, COMPLETE - C9 - FKM	1	AUX315856		
44820A		INTERNAL RELIEF VALVE	(1)			
44801		BYPASS BODY	(1)			
44823		COMPENSATED VALVE	(1)			
44827	◆	INTERNAL RELIEF VALVE CAP	1	AUX228620		
44856		SCREW	(3)			
44857		PLUG	(1)			
44898		ADJUSTING SCREW SET	(1)			
44824		SPRING (6 BAR_9 BAR)	(1)			
44824A		COMPLETE SPRING (3 BAR_10 BAR)	(1)			
44859		SCREW	(2)			
44859A		WASHER	(2)			
44899	◆	SET OF SEALS FOR RELIEF VALVE C - FEP-FKM	1	AUX313890		
44899	◆	SET OF SEALS FOR RELIEF VALVE C - FKM	1	AUX313889		
44807		SEAL	(1)			●
44837		SEAL	(1)			●
44850		SEAL	(1)			●
44858	◆	O-RING FKM	2	AUX200795		●
44858	◆	SEAL FEP-FKM	2	AUX215301		●
12820A	◆	DOUBLE RELIEF VALVE, COMPLETE - C12 - FEP-FKM	1	AUX315869		
12820A	◆	DOUBLE RELIEF VALVE, COMPLETE - C12 - FKM	1	AUX315865		
12820A	◆	DOUBLE RELIEF VALVE, COMPLETE - C3 - FEP-FKM	1	AUX315866		
12820A	◆	DOUBLE RELIEF VALVE, COMPLETE - C3 - FKM	1	AUX315862		
12820A	◆	DOUBLE RELIEF VALVE, COMPLETE - C6 - FEP-FKM	1	AUX315867		
12820A	◆	DOUBLE RELIEF VALVE, COMPLETE - C6 - FKM	1	AUX315863		
12820A	◆	DOUBLE RELIEF VALVE, COMPLETE - C9 - FEP-FKM	1	AUX315868		
12820A	◆	DOUBLE RELIEF VALVE, COMPLETE - C9 - FKM	1	AUX315864		
44820A		INTERNAL RELIEF VALVE	(1)			
44801		BYPASS BODY	(1)			
44823		COMPENSATED VALVE	(2)			
44827	◆	INTERNAL RELIEF VALVE CAP	2	AUX228620		
44856		SCREW	(6)			
44857		PLUG	(2)			
44898		ADJUSTING SCREW SET	(2)			
44824		SPRING (6 BAR_9 BAR)	(2)			
44824A		COMPLETE SPRING (3 BAR_10 BAR)	(2)			
44859		SCREW	(2)			
44859A		WASHER	(2)			
44899	◆	SET OF SEALS FOR RELIEF VALVE 2C - FEP-FKM	1	AUX313892		
44899	◆	SET OF SEALS FOR RELIEF VALVE 2C - FKM	1	AUX313891		
44807		SEAL	(2)			●
44837		SEAL	(2)			●
44850		SEAL	(2)			●
44858	◆	O-RING FKM	2	AUX200795		●
44858	◆	SEAL FEP-FKM	2	AUX215301		●

# A18 A

\* 1, 2, 4... : Quantity in equipment - (1), (2), (4)... : Quantity in kit

Item	Available	Description	Qty*	Ref.	Maintenance kit	Wear part
44898B	◆	PRESSURE SCREW ASSEMBLY + RELIEF VALVE SEALS - FEP-FKM	1/2	AUX316362		
44898B	◆	PRESSURE SCREW ASSEMBLY + RELIEF VALVE SEALS - FKM	1/2	AUX316361		
44807		SEAL	(1)			●
44837		SEAL	(1)			●
44898		ADJUSTING SCREW SET	(1)			
44825		SPRING GUIDE	(1)			
44826		ADJUSTING SCREW	(1)			
44826A		WASHER	(1)			
44831		PIN	(1)			
44834		NUT	(1)			
44835		NUT	(1)			
44824B	◆	COMPLETE SPRING + SEAL - RELIEF VALVE 3 BAR - FEP-FKM	1/2	AUX316367		
44824B	◆	COMPLETE SPRING + SEAL - RELIEF VALVE 3 BAR - FKM	1/2	AUX316363		
44807		SEAL	(1)			●
44824A		SPRING, COMPLETE	(1)			
44824		SPRING	(1)			
44829		SPRING GUIDE	(1)			
44824B	◆	SPRING + SEAL - RELIEF VALVE 6 BAR - FEP-FKM	1/2	AUX316368		
44824B	◆	SPRING + SEAL - RELIEF VALVE 6 BAR - FKM	1/2	AUX316364		
44824B	◆	SPRING + SEAL - RELIEF VALVE 9 BAR - FEP-FKM	1/2	AUX316369		
44824B	◆	SPRING + SEAL - RELIEF VALVE 9 BAR - FKM	1/2	AUX316365		
44807		SEAL	(1)			●
44824		SPRING	(1)			
44824B	◆	COMPLETE SPRING + SEAL - RELIEF VALVE 10 BAR - FEP-FKM	1/2	AUX316370		
44824B	◆	COMPLETE SPRING + SEAL - RELIEF VALVE 10 BAR - FKM	1/2	AUX316366		
44807		SEAL	(1)			●
44824A		SPRING, COMPLETE	(1)			
44824		SPRING	(1)			
44828		SPACER	(1)			