

**PARTS LIST**  
**PUMPS**  
**CC8-65 C**

Keep this parts lists with Installation, Operation and Maintenance Instructions.

To order the required spare parts, indicate the desired Reference(s).

- ◆ Sets of parts or parts available to order.

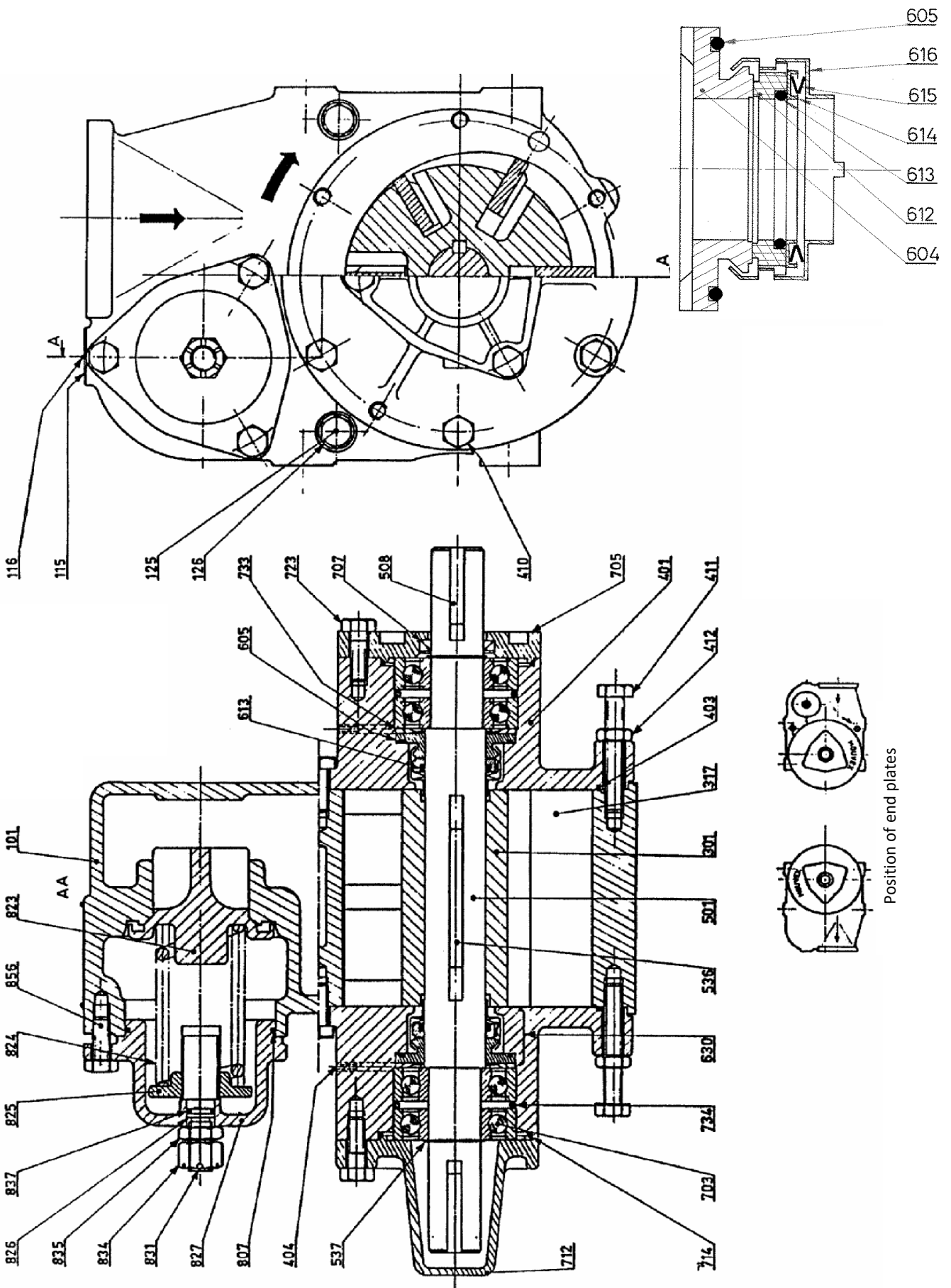
Z.I. la Plaine des Isles - 2 rue des Caillottes F-89000 AUXERRE - France

Tel : +33 (0)3 86 49 86 30 • Fax : +33 (0)3 86 49 87 17

contact@mouvex.com • www.mouvex.com

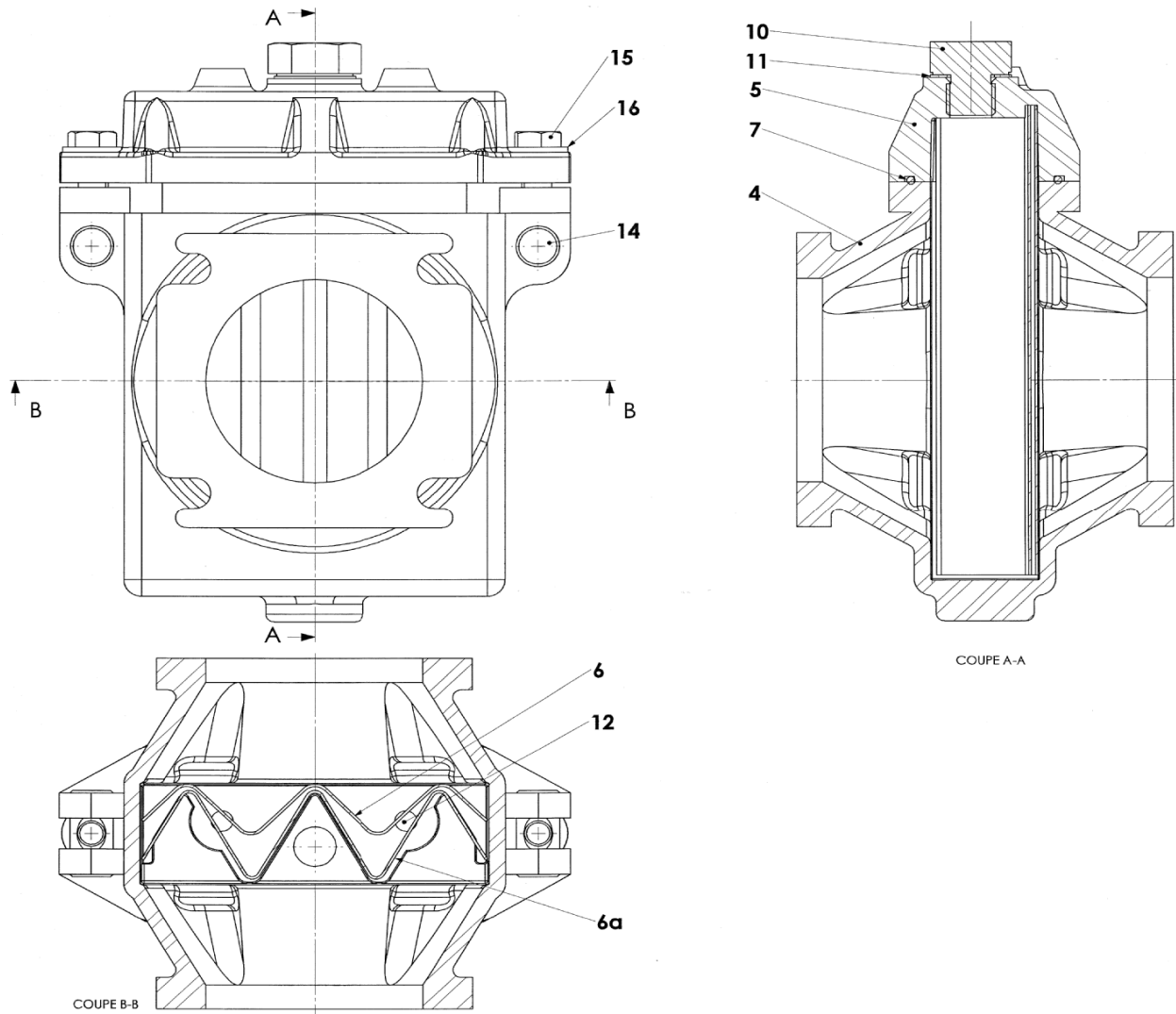
# CC8-65 C

## Mechanical seal

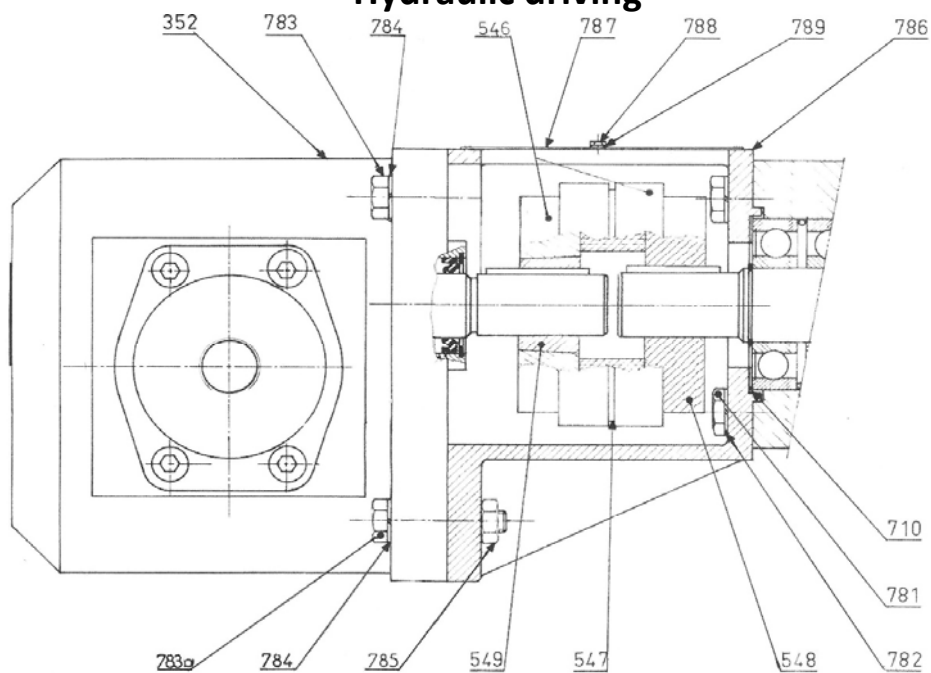


# ACCESSORIES

## Filter PF CC8



## Hydraulic driving



## CC8-65 C

\* 1, 2, 4... : Quantity in equipment - (1), (2), (4)... : Quantity in kit

Item	Available	Description	Qty*	Ref.	Maintenance kit	Wear part
98	◆	<b>FULL SET OF SCREWS</b>	1	301865.00		
410		SCREW	(8)			
411		SCREW	(4)			
412		NUT	(4)			
723		SCREW	(6)			
856		SCREW	(3)			
98C	◆	<b>FRONT COVER EXTRACTOR CC8_28 40 50 65</b>	1	316025.00		
99	◆	<b>SET OF PUMP SEALS</b>	1	301915.00		
126		SEAL	(2)			
403		O-RING	(2)			
807		O-RING	(1)			
100	◆	<b>CASING ASSEMBLY</b>	1	301908.00		
101		BODY	(1)			
124	◆	<b>FRONT COVER DRAIN PLUG + SEALS</b>	1	301861.00		
125		SCREW	(2)			
126		SEAL	(2)			
300	◆	<b>ROTOR ASSEMBLY</b>	1	302476.00		
301		ROTOR	(1)			
317		VANE	(6)			●
309	◆	<b>SET OF 6 VANES WITH HOLES</b>	1	304384.00	■	
317		VANE	(6)			●
400	◆	<b>COMPLETE FRONT COVER</b>	2	303795.00		
401		FRONT COVER	(1)			
410		SCREW	(4)			
411		SCREW	(2)			
412		NUT	(2)			
409	◆	<b>SET OF FRONT COVER O-RINGS - FKM</b>	1	304382.01	■	
403		O-RING	(2)			
500	◆	<b>SHAFT ASSEMBLY</b>	1	301912.02		
501		SHAFT	(1)			
599	◆	<b>SET OF KEYS</b>	1	301913.00	■	
508		KEY	(1)			
536		KEY	(1)			
537		CIRCLIPS	(2)			
630	◆	<b>MECHANICAL SEAL ASSEMBLY</b>	2	301917.01	■	
604		STATIONARY SEAL FACE	(1)			●
605		O-RING FKM HT	(1)			●
612		SEAL HOUSING	(1)			●
613		O-RING FKM HT	(1)			●
614		SPRING GUIDE	(1)			
615		SPRING	(3)			
616		CAGE	(1)			
699	◆	<b>SET OF MECHANICAL SEAL SEALS FKM HT</b>	1	301919.00		
605		O-RING FKM HT	(2)			●
613		O-RING FKM HT	(2)			●
700	◆	<b>COMPLETE COVER SIDE OPPOSITE TO DRIVE SYSTEM CC8-65 C</b>	1	304716.00		
703		BALL BEARING	(2)			●
708		GREASE NIPPLE	(2)			
712		COVER	(1)			
714		O-RING	(1)			
723		SCREW	(3)			
733		METALLIC SEAL	(1)			
734		SPACER	(1)			

## CC8-65 C

\* 1, 2, 4... : Quantity in equipment - (1), (2), (4)... : Quantity in kit

Item	Available	Description	Qty*	Ref.	Maintenance kit	Wear part
<b>700A</b>	◆	<b>BALL BEARINGS COMPLETE</b>	1	<b>305519.00</b>		
703A		BALL BEARING	(2)			
708A		GREASE NIPPLE	(2)			
733A		METALLIC SEAL	(1)			
734A		SPACER	(1)			
<b>700A</b>	◆	<b>COMPLETE COVER DRIVE SIDE CC8 65 C</b>	1	<b>304717.00</b>		
703A		BALL BEARING	(2)			
705		COVER	(1)			
707		LIP SEAL	(1)			●
708A		GREASE NIPPLE	(2)			
714A		O-RING	(1)			
723A		SCREW	(3)			
733A		METALLIC SEAL	(1)			
734A		SPACER	(1)			
<b>704</b>	◆	<b>SET OF 4 BALL BEARINGS</b>	1	<b>304383.00</b>	■	
703		BALL BEARING	(4)			●
<b>715</b>	◆	<b>SET OF COVER SEALS</b>	1	<b>304723.00</b>	■	
707		LIP SEAL	(1)			●
714		O-RING	(2)			
<b>771</b>	◆	<b>HYDRAULIC TRUNK ASSEMBLY</b>	1	<b>304155.02</b>		
546A	◆	COMPLETE COUPLING	1	307286.00		
546		COUPLING FLANGE	(1)			
547	◆	ELASTIC TRANSITIONAL RING	1	209603		●
548		COUPLING FLANGE D30	(1)			
549		COUPLING SLEEVE D24	(1)			
549A		COUPLING SLEEVE D22	(1)			
710	◆	SHIM	1	204831		
781		SCREW	(3)			
782		WASHER	(3)			
783		SCREW	(2)			
783A		SCREW	(2)			
784		WASHER	(4)			
785		NUT	(2)			
786	◆	HYDRAULIC TRUNK	1	228594		
787		COVER	(1)			
788		SCREW	(2)			
789		WASHER	(2)			
<b>820</b>	◆	<b>BYPASS COMPLETE</b>	1	<b>305582.00</b>		
823	◆	COMPENSATED VALVE	1	204839		
827		BYPASS CAP	(1)			
898	◆	PRESSURE SCREW ASSEMBLY	1	305583.00		
807		O-RING	(1)			
825		SPRING BASE	(1)			
826		ADJUSTING SCREW	(1)			
831		PIN	(1)			
834		NUT	(1)			
835		NUT	(1)			
837		O-RING	(1)			
856		SCREW	(3)			
<b>824</b>	◆	<b>SPRING 4 BAR</b>	1	<b>219106</b>		
<b>824</b>	◆	<b>8 BAR SPRING</b>	1	<b>204891</b>		
<b>899</b>	◆	<b>SET OF BYPASS SEALS</b>	1	<b>301896.00</b>		
807		O-RING	(1)			
831		PIN	(1)			
834		NUT	(1)			
835		NUT	(1)			
837		O-RING	(1)			

# ACCESSORIES

\* 1, 2, 4... : Quantity in equipment - (1), (2), (4)... : Quantity in kit

Item	Available	Description	Qty*	Ref.	Maintenance kit	Wear part
		<b>HYDRAULIC MOTOR</b> External gear technology. Not reversible (one direction) to be fitted on the suction side port. Equipped with straight flanges G3/4.				
352	◆	<b>HYDRAULIC MOTOR 40CC</b>	1	229966		
352	◆	<b>HYDRAULIC MOTOR 50CC</b>	1	229967		
352	◆	<b>HYDRAULIC MOTOR 60CC</b>	1	229968		
129A	◆	<b>SET OF 2 COMPANION FLANGES CC8 DN91, COMPLETE - STEEL</b>	1	302474.00		
129A	◆	<b>SET OF 2 COMPANION FLANGES CC8 DN91, COMPLETE - STAINLESS STEEL</b>	1	310323.00		
		<b>(129+131+132)</b>				
131	◆	<b>GASKET</b>	(2)	223098		
	◆	<b>FILTER PF CC8 DN80 ALU STEEL GRIDS 1-4</b>	1	316078.00		
	◆	<b>FILTER PF CC8 DN80 ALU STAINLESS STEEL GRIDS 1-4</b>	1	316079.00		
		<b>(2+3+4+5+6+6A+7+8+10+11+12+13+14+15+16)</b>				
2 (4A+8)	◆	BODY	(1)	302056.00		
8 (14+15+16)	◆	ROTATING BOLTS ASSEMBLY	(1)	302030.00		
3 (5+6+7+12+13)	◆	COVER ASSEMBLY (STEEL GRIDS)	(1)	302529.01		
3 (5+6+7+12+13)	◆	COVER ASSEMBLY (STAINLESS STEEL GRID)	(1)	302530.01		
7	◆	O-RING	(1)	200874	■	
13 (10+11)	◆	FRONT COVER DRAIN PLUG + SEAL	(1)	302044.01		
6A	◆	GRID 1 MM (STEEL)	(1)	202232		
6A	◆	GRID 1 MM (STAINLESS STEEL)	(1)	204723		
	◆	<b>FILTER PF CC8 DN80 COATED CAST IRON STAINLESS STEEL GRIDS 1-4</b>	1	316080.00		
		<b>(2+3+4+5+6+6A+7+8+10+11+12+13+14+15+16)</b>				
2 (4A+8)	◆	BODY	(1)	314545.00		
8 (14+15+16)	◆	ROTATING BOLTS ASSEMBLY	(1)	307246.00		
3 (5+6+7+12+13)	◆	COVER ASSEMBLY	(1)	314546.01		
7	◆	O-RING	(1)	200874	■	
13 (10+11)	◆	FRONT COVER DRAIN PLUG + SEAL	(1)	307249.00		
6A	◆	GRID 1 MM (STAINLESS STEEL)	(1)	204723		

## Filter PF CC8 :

- (1) The cover design changed in September 2011, the gasket 7 is replaced by an O'ring.  
The cover assembly is interchangeable.  
The gasket 7 is no more supplied. In case of need, the complete cover assembly has to be replaced.
- (2) The cover design change modified the grid length which is no more interchangeable.  
In this case, the complete cover assembly has to be replaced.