



P.L. : 1002-B01

Effective
Replaces

April 2017
July 2016

PARTS LIST
PUMP
S4C

Keep this parts lists with Installation, Operation and Maintenance Instructions.

To order the required spare parts, indicate the desired Reference(s).

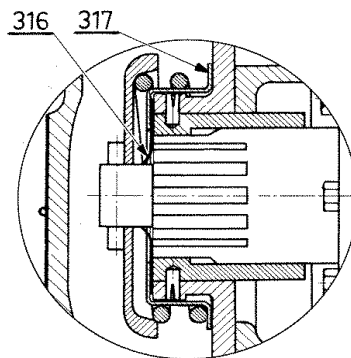
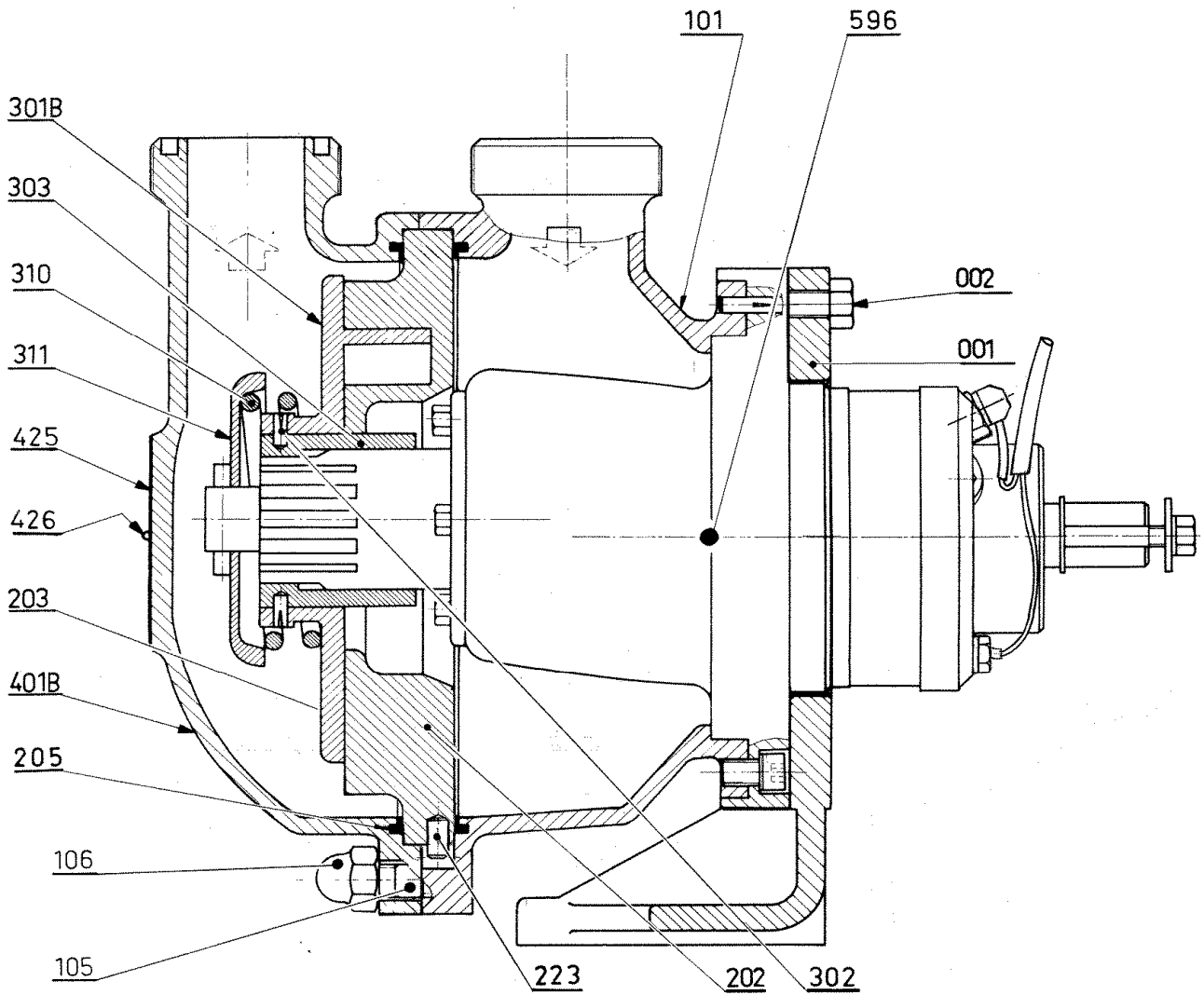
- ◆ Sets of parts or parts available to order.

Z.I. la Plaine des Isles - 2 rue des Caillottes F-89000 AUXERRE - France

Tel : +33 (0)3 86 49 86 30 • Fax : +33 (0)3 86 49 87 17

contact@mouvex.com • www.mouvex.com

S4C



S4C

* 1, 2, 4... : Quantity in equipment - (1), (2), (4)... : Quantity in kit

Item	Available	Description	Qty*	Ref.	Maintenance kit	Wear part
5	◆	SUPPORT FOOT PUMP COMPLETE	1	301566.00		
1		SUPPORT FOOT	(1)			
2		SCREW	(4)			
100	◆	POLISH MAIN BODY - DIN 50	1	308752.00		
100	◆	POLISH MAIN BODY - SMS 51	1	308753.00		
100	◆	POLISH MAIN BODY - CLAMP ASME BPE	1	316041.00		
101		MAIN BODY	(1)			
105		STUD	(4)			
106		BLIND NUT	(4)			
110	◆	SET OF 4 SCREWS	1	304855.00		
106		BLIND NUT	(4)			
		GASKETS FOR CONNECTION :				
120	◆	SET OF 2 GASKETS CONNECTION FKM CLAMP ASME BPE	1	315664.01	■	
120	◆	SET OF 2 GASKETS CONNECTION FKM CE1935_2004 DIN 50	1	311653.01	■	
120	◆	SET OF 2 GASKETS CONNECTION FKM SMS 51	1	311445.01	■	
1012		SEAL	(2)			●
200B	◆	SET CYLINDER_PISTON S4C	1	313409.00	■	
201		CYLINDER	(1)			●
301		COMPLETE PISTON	(1)			●
206	◆	SET OF CYLINDER ORINGS -FKM CE1935_2004	1	304853.00	■	
205		SEAL FKM CE1935_2004	(2)			●
310	◆	STRONG SPRING BACK PISTON	1	216493		
310	◆	SPRING BACK PISTON	1	235946		
311	◆	PUSHER	1	203746		
318	◆	PISTON NECK SEALS - FKM	1	302487.00	■	
316		CAGE	(1)			
317	◆	SEAL CE1935_2004	1	230078		●
401B	◆	POLISH FRONT COVER - DIN 50	1	308756.00		
401B	◆	POLISH FRONT COVER - CLAMP ASME BPE 51	1	315659.00		
401B	◆	POLISH FRONT COVER - SMS 51	1	315651.00		
596	◆	COMPLETE TRANSMISSION BLOCK FKM WITH DETECTION	1	513912.03		●
596	◆	COMPLETE TRANSMISSION BLOCK FKM WITHOUT DETECTION	1	502033.03		●