

# 850 SERIES – Model 5X4-12T



## Model 5X4-12T – Frame-Mounted Configuration

### PERFORMANCE

**850FM/5X4-12T/4P**

**Max. Flow Rate:** 545 gpm

**Max. Head:** 146 ft.

**Max. Working Temperature:** 250° F

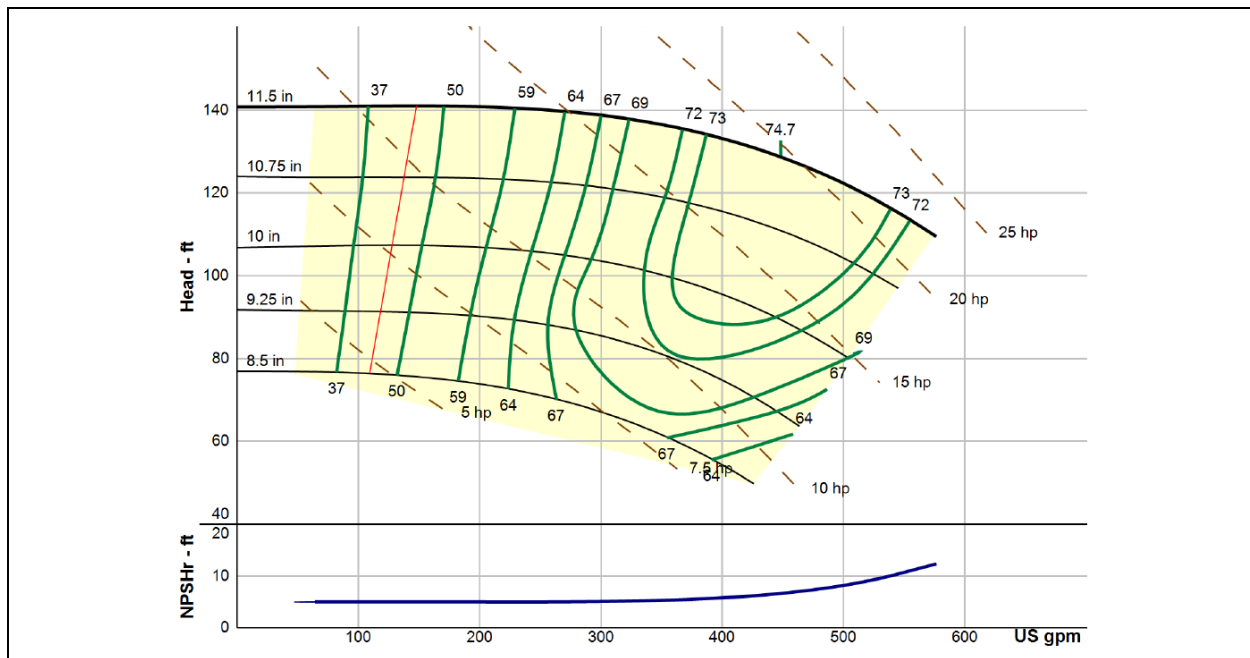
**Max. Working Pressure:** 175 psi

**Max. Rated Speed:** 1800 RPM

**Max. Particle Size:** 0.64" Diameter

**Hydrotest Pressure:** 263 psi

### PERFORMANCE CURVE – 850FM/5X4-12T/4P, 1750 RPM

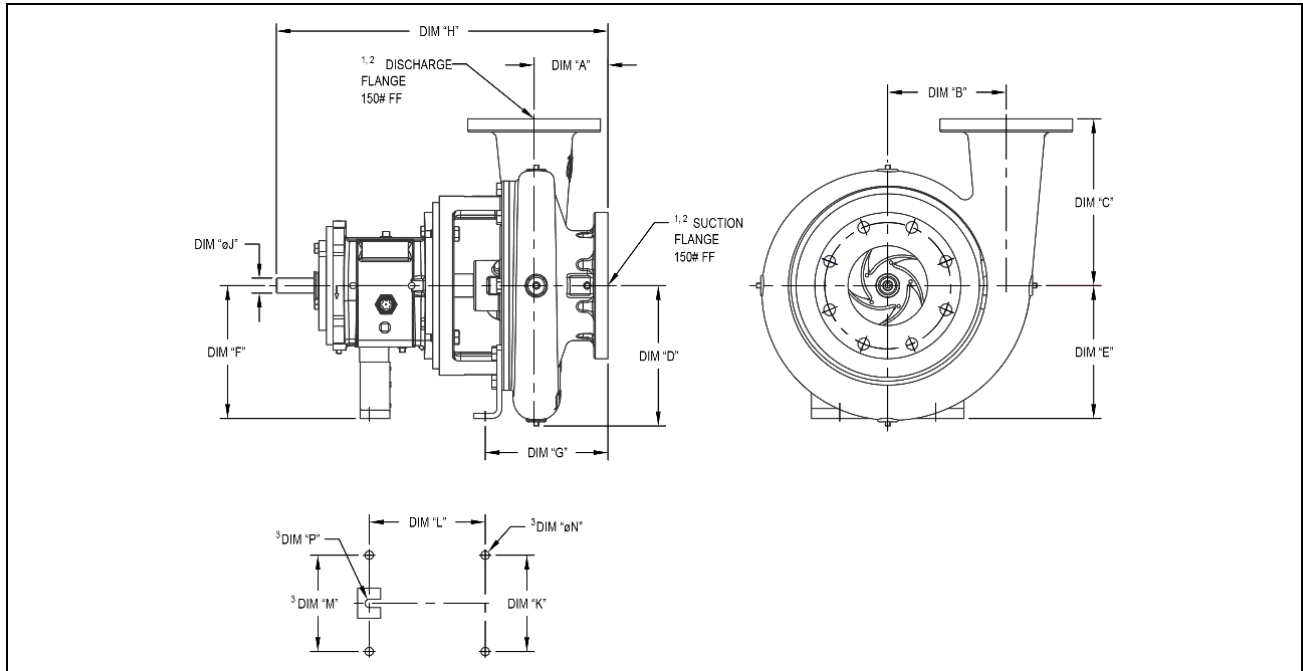


<b>850 Series Model: 850FM/5X4-12T/4P</b>	<b>PEI<sub>CL</sub> 0.99</b>	<b>Impeller Diameter: 11.500 in.</b>
---	------------------------------	--------------------------------------

# 850 SERIES – Model 5X4-12T



## DIMENSIONS (INCHES)



Motor Frame	Suction	Discharge	DIM "A"	DIM "B"	DIM "C"	DIM "D"	DIM "E"	DIM "F"	DIM "G"	DIM "H"	Dim "ØJ"	DIM "K"	DIM "L"	DIM "M"	Dim "ØN"	DIM "P"
PFS	5.00	4.00	5.06	7.75	11.25	8.50	8.25	5.25	8.93	18.52	0.88	7.25	3.34	N/A	0.63	R.313

<sup>1</sup>150# Flange is dimensionally identical to a 125# Flange

<sup>2</sup>Bolt holes straddle pump centerlines

<sup>3</sup>Mounting bolt hold patterns vary with power frames used.

Pumps fitted with small power frames use 3 holes, while pumps fitted with medium or large power frames use 4 holes.

LG1845 REV. A

<b>850 Series Model: 850FM/5X4-12T/4P</b>	<b>PEI<sub>CL</sub> 0.99</b>	<b>Impeller Diameter: 11.500 in.</b>
---	------------------------------	--------------------------------------



# 850 SERIES – Model 5X4-12T



## PARTS LISTING

Compatible Frame Family			PFS (POWER FRAME SMALL)	Material of Construction
Item	Description	Qty.	P/N	
<b>Case Kit</b>				
1	Case Kit <sup>1,3</sup>	1	3350000K	Ductile Iron, ASTM A395
2	Pipe Plugs 1/4" MNPT	6	31005911	Steel
3	Pipe Plugs 1/2" MNPT			
4	Case Wear Ring	1	8035100	Bismuth Tin Bronze (Lead Free)
<b>Impeller Kit</b>				
5	Impeller, Only <sup>4</sup>	1	5355200	Aluminum Bronze, ASTM B148
	Impeller, Kit <sup>4,5</sup>	1	5355200K	Aluminum Bronze, ASTM B148
<b>Back Pull Out Kit</b>				
6	Impeller Bolt SHCS, 3/8-16 x 2.00 Lg	1	ALLEN37516X200U	Steel
7	Impeller Washer	1	14412209	300 Series Stainless Steel
8	Seal Adapter Kit <sup>7</sup>	1	7102001K	300 Series Stainless Steel
9	Seal Adapter O-Ring -036 Buna	1	036B	Buna-N
10	Bracket Wear Ring	1	8035100	Bismuth Tin Bronze (Lead Free)
11	Bracket/Power Frame Bolts HHCS, 3/8-16 x 1.00 Lg	4	14129423	Steel – Grade 5
12	Case/Bracket O-Ring -278 Buna	1	47027800	Buna-N
13	Bracket <sup>2,3</sup>	1	2525800K	Ductile Iron, ASTM A395
14	Bracket Plug 1/2" MNPT			
15	Foot, Bracket	1	2049619	
16	Case/Bracket Bolts HHCS, 1/2-13 x 1.50 Lg	2	3861-22	Steel – Grade 5
17	Case/Bracket Bolts HHCS, 1/2-13 x 1.25 Lg	10	14133003	Steel – Grade 5
18	Impeller Spacer			
19	Impeller Key	1	14412407	Steel
20	Sleeve, Kit <sup>6</sup>	1	8222400K	Bismuth Tin Bronze (Lead Free)
21	Sleeve O-Ring -022 Buna	2	47002209	Buna-N
22	Deflector	1	22020408	Neoprene
23	Mechanical Seal	1	See mechanical seal list for P/N	
24	Assembly, Power Frame	1	PFS-850-K	
25	Assembly, Rotating	1	24000-04-41A-RO	

LG1854 REV. B

<sup>1</sup>Case Kit includes item 2, 3, 4, 12, and 17

<sup>2</sup>Bracket Kit includes item 11, 14 and 22

<sup>3</sup>Part is available with epoxy coating of interior or interior + exterior. Specified part number is for uncoated part, contact factory for part numbers.

<sup>4</sup>Part is available with epoxy coating. Append 'PC' to the indicated part number when referring to the coated part

<sup>5</sup>Impeller Kit includes item 6, 7, 10, 18 and 19

<sup>6</sup>Sleeve Kit includes item 21

<sup>7</sup>Seal Adapter Kit includes item 9

<b>850 Series Model: 850FM/5X4-12T/4P</b>	<b>PEI<sub>CL</sub> 0.99</b>	<b>Impeller Diameter: 11.500 in.</b>
---	------------------------------	--------------------------------------

GRS-17207-T-01

PAGE 4 OF 4



Copyright 2019 PSG®, a Dover® Company.

PSG® reserves the right to modify the information and illustrations contained in this document without prior notice. This is a non-contractual document.