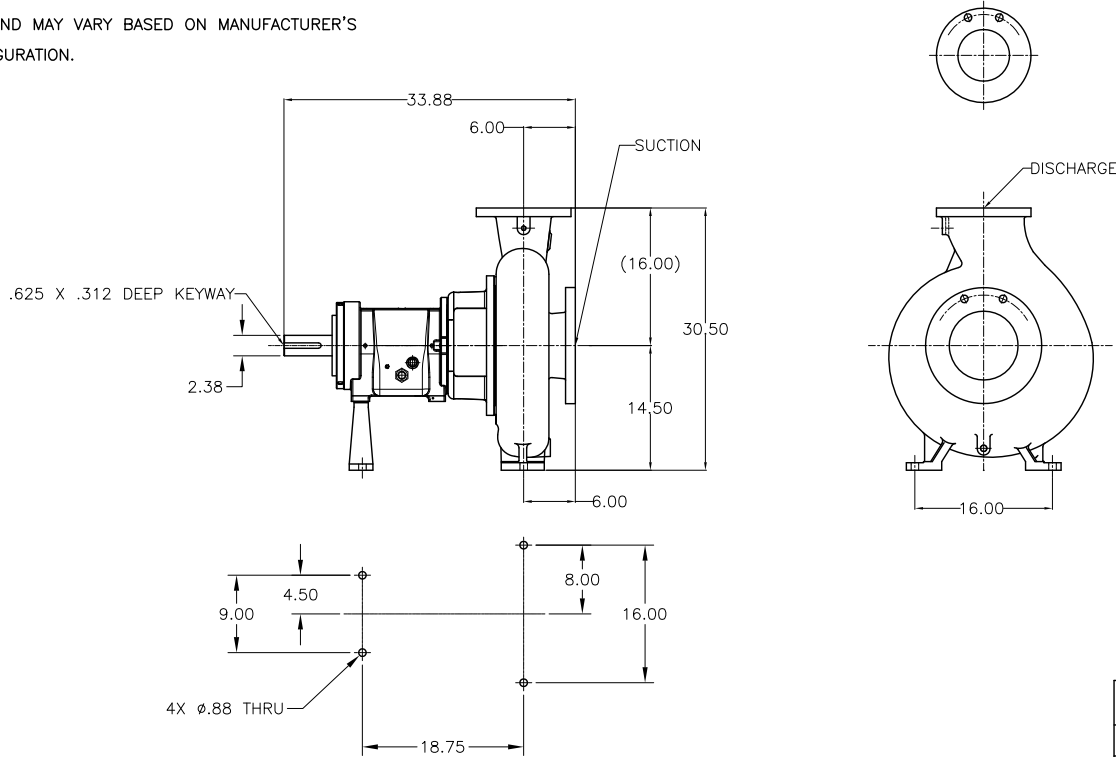


REV.	DESCRIPTION	BY	CHK.	APP.	DATE
A	RELEASED INTO PRODUCTION SEE ECN #G01031	-	-	-	-

NOTES: UNLESS OTHERWISE SPECIFIED

1. DIMENSIONS AND TOLERANCES PER ASME Y14.5M-1994.
2. * INDICATES DIMENSIONS AND/OR FEATURES MODIFIED ON CURRENT REVISION LEVEL.
3. DIMENSIONS REFLECT STANDARD MFG TOLERANCES.
4. WEIGHTS ARE APPROXIMATE AND MAY VARY BASED ON MANUFACTURER'S MATERIALS AND PUMP CONFIGURATION.



FLANGE OPTION DIMENSIONS							
OPTION	NOMINAL PIPE SIZE	FLANGE DIAMETER	BOLT CIRCLE DIAMETER	NO. OF BOLTS	DIAMETER OF BOLTS	BOLT HOLE	FLANGE
✓	6" ASME 150# (SHOWN)						DISCHARGE
	6.00	11.00	9.50	8	0.75	0.88	
✓	8" ASME 150# (SHOWN)						SUCTION
	8.00	13.50	11.75	8	0.75	0.88	
✓	6" ASME 300#						DISCHARGE
	6.00	12.50	10.62	12	0.75	0.88	
✓	8" ASME 300#						SUCTION
	8.00	15.00	13.00	12	0.88	1.00	
✓	150 mm DIN PN16						DISCHARGE
	150 mm	285 mm	240 mm	8	20 mm	23 mm	
✓	200 mm DIN PN16						SUCTION
	200 mm	340 mm	295 mm	12	20 mm	23 mm	

CERTIFIED FOR CONSTRUCTION
ONLY WHEN SIGNED

Signature _____
Date _____
Customer _____
Customer P.O. # _____

4. PUMP WT.- 530 LBS

OPTION	AVAILABLE OPTIONS
✓	PUMP MATERIAL
	N6 DUCTILE IRON
	N6 DUCTILE IRON CASE / 91 SS IMPELLER
	91 STAINLESS STEEL
	20 HASTELLOY
	X4 CD4MCU SS
	OTHER:
	FLANGE FACE
	FLAT FACE
	RAISED FACE

DO NOT SCALE DRAWING UNLESS OTHERWISE SPECIFIED DIMENSIONS ARE IN INCHES TOLERANCES ARE:				GRISWOLD PUMP COMPANY 22965 VAN BUREN STREET GRAND TERRACE, CA 92313-9687 PHONE: (909) 942-2222 / (925) 226-5255 WWW.GRISWOLDPUMP.COM	
DECIMALS .XX ± -		TITLE 8 X 6 - 13 A90 ANSI PEO, XL PF		ASSY. NO. _____	
.XXX ± -		DRAWN BY R. Schwartz		DATE 01/26/17	
ANGLES ± -		CHECKED BY R. Beach		DATE 1/26/17	
SCALE 1/8		APPROVED BY B. Backman		DATE 1/26/17	
SHEET 1 OF 1		DRAWING NO. LG0790		REV. A	

THIS DOCUMENT AND ITS CONTENTS ARE PROPRIETARY TO GRISWOLD PUMP ANY REPRODUCTION, DISCLOSURE OR USE OF THIS DOCUMENT IS EXPRESSLY PROHIBITED EXCEPT AS OTHERWISE AGREED TO IN WRITING.