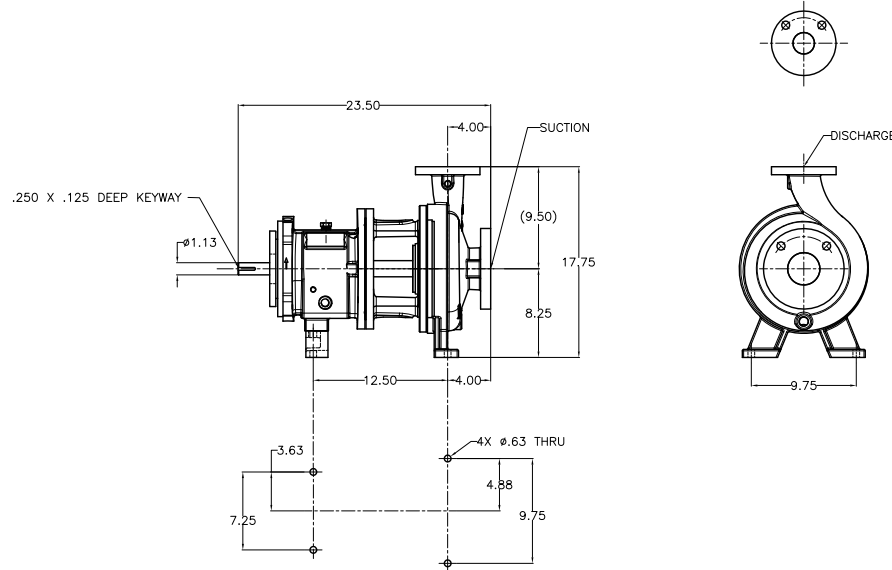


REV.	DESCRIPTION	BY	CHK.	APP.	DATE
A	RELEASED INTO PRODUCTION SEE ECN #G01031	-	-	-	-

NOTES: UNLESS OTHERWISE SPECIFIED

1. DIMENSIONS AND TOLERANCES PER ASME Y14.5M-1994.
2. * INDICATES DIMENSIONS AND/OR FEATURES MODIFIED ON CURRENT REVISION LEVEL.
3. DIMENSIONS REFLECT STANDARD MFG TOLERANCES.
4. WEIGHTS ARE APPROXIMATE BASED ON MANUFACTURER'S MATERIALS AND PUMP CONFIGURATION.



FLANGE OPTION DIMENSIONS							
OPTION	NOMINAL PIPE SIZE	FLANGE DIAMETER	BOLT CIRCLE DIAMETER	NO. OF BOLTS	DIAMETER OF BOLTS	BOLT HOLE	FLANGE
✓	2" ASME 150# (SHOWN)						DISCHARGE
	2.00	6.00	4.75	4	0.63	0.75	
✓	3" ASME 150# (SHOWN)						SUCTION
	3.00	7.50	6.00	4	0.63	0.75	
✓	2" ASME 300#						DISCHARGE
	2.00	6.50	5.00	8	0.63	0.75	
✓	3" ASME 300#						SUCTION
	3.00	8.25	6.62	8	0.75	0.88	
✓	50 mm DIN PN16						DISCHARGE
	50 mm	165 mm	125 mm	4	16 mm	19 mm	
✓	80 mm DIN PN16						SUCTION
	80 mm	200 mm	160 mm	8	16 mm	19 mm	

CERTIFIED FOR CONSTRUCTION

ONLY WHEN SIGNED

Signature _____
Date _____

Customer _____

Customer P.O. # _____

4. PUMP WT.- 232 LBS

OPTION	AVAILABLE OPTIONS
✓	
PUMP MATERIAL	
	N6 DUCTILE IRON
	N6 DUCTILE IRON CASE / 91 SS IMPELLER
	91 STAINLESS STEEL
	20 HASTELLOY
	X4 CD4MCU SS
	OTHER:
FLANGE FACE	
	FLAT FACE
	RAISED FACE

THIS DOCUMENT AND ITS CONTENTS ARE PROPRIETARY TO GRISWOLD PUMP. ANY REPRODUCTION, DISCLOSURE OR USE OF THIS DOCUMENT IS EXPRESSLY PROHIBITED EXCEPT AS OTHERWISE AGREED TO IN WRITING.

DO NOT SCALE DRAWING UNLESS OTHERWISE SPECIFIED DIMENSIONS ARE IN INCHES TOLERANCES ARE:				GRISWOLD PUMP COMPANY 2296 VAN BUREN STREET GRAND TERRACE, CA 92314-9697 PHONE: (951) 942-2222 / (925) 226-5255 WWW.GRISWOLDPUMP.COM	
DECIMALS .XX ± -	.XXX ± -			TITLE 3 X 2 - 8 (A60) PEO, MD PF	
ANGLES ± -	SCALE 1/8	SHEET 1 OF 1	DRAWN BY R. Schwartz	DATE 1/17/17	ASSY. NO.
			CHECKED BY R. Beach	DATE 1/26/17	DRAWING NO.
			APPROVED BY B. Backman	DATE 1/26/17	LG0770
					REV. A