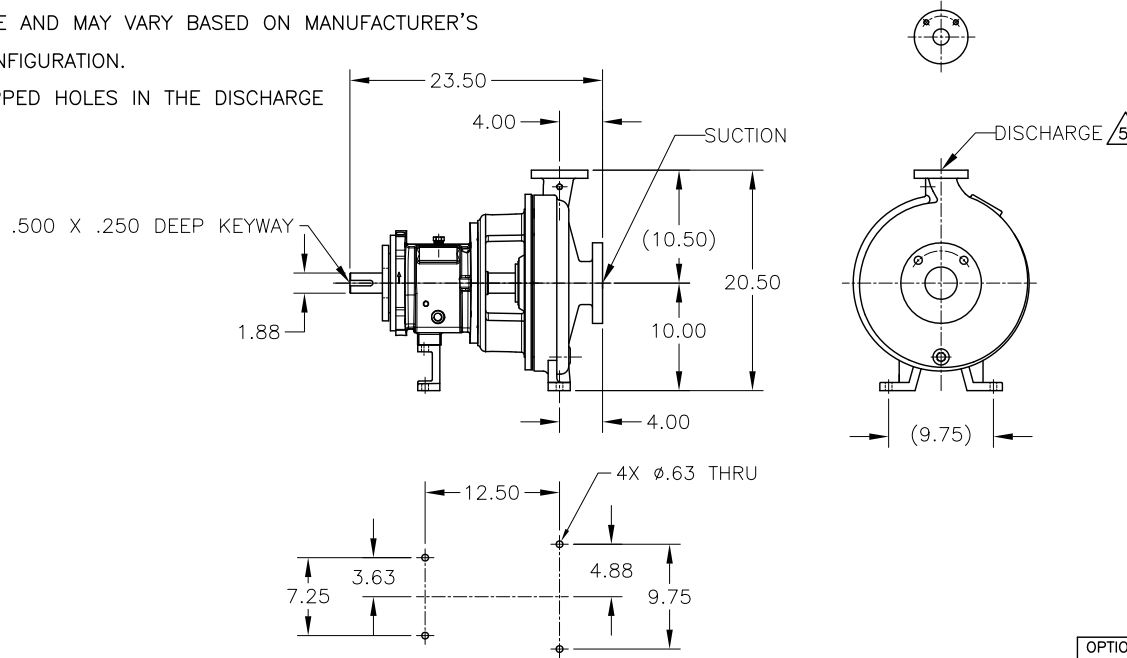


REV.	DESCRIPTION	BY	CHK.	APP.	DATE
A	RELEASED INTO PRODUCTION SEE ECN #G01031	-	-	-	-

NOTES: UNLESS OTHERWISE SPECIFIED

- DIMENSIONS AND TOLERANCES PER ASME Y14.5M-1994.
- * INDICATES DIMENSIONS AND/OR FEATURES MODIFIED ON CURRENT REVISION LEVEL.
- △ DIMENSIONS REFLECT STANDARD MFG TOLERANCES.
- △ WEIGHTS ARE APPROXIMATE AND MAY VARY BASED ON MANUFACTURER'S MATERIALS AND PUMP CONFIGURATION.
- △ THIS PUMP MAY HAVE TAPPED HOLES IN THE DISCHARGE FLANGE PER ASME B73.1.



FLANGE OPTION DIMENSIONS

OPTION	NOMINAL PIPE SIZE	FLANGE DIAMETER	BOLT CIRCLE DIAMETER	NO. OF BOLTS	DIAMETER OF BOLTS	BOLT HOLE	FLANGE
✓	1.5" ASME 150# (SHOWN) (THD) △						DISCHARGE
	1.50	5.00	3.88	4	0.50	.500-13 UNC-2B	
	3" ASME 150# (SHOWN)						SUCTION
	3.00	7.50	6.00	4	0.63	0.75	
	1.5" ASME 300# (THRU)						DISCHARGE
	1.50	6.12	4.50	4	0.75	0.88	
	3" ASME 300#						SUCTION
	3.00	8.25	6.62	8	0.75	0.88	
	40 mm DIN PN16 (THRU)						DISCHARGE
	40 mm	150 mm	110 mm	4	16 mm	19 mm	
	80 mm DIN PN16						SUCTION
	80 mm	200 mm	160 mm	8	16 mm	19 mm	

CERTIFIED FOR CONSTRUCTION

ONLY WHEN SIGNED

Signature _____
Date _____

Customer _____

Customer P.O. # _____

OPTION	AVAILABLE OPTIONS
✓	PUMP MATERIAL
	N6 DUCTILE IRON
	N6 DUCTILE IRON CASE / 91 SS IMPELLER
	91 STAINLESS STEEL
	20 HASTELLOY
	X4 CD4MCU SS
	OTHER:
	FLANGE FACE
	FLAT FACE
	RAISED FACE

△ PUMP WT.- 309 LBS

DO NOT SCALE DRAWING UNLESS OTHERWISE SPECIFIED DIMENSIONS ARE IN INCHES TOLERANCES ARE:	
DECIMALS .XX ± -	
.XXX ± -	
ANGLES ± -	
SCALE 1/8	SHEET 1 OF 1



GRISWOLD PUMP COMPANY
22965 VAN BUREN STREET
GRAND TERRACE, CA 92313-9697
PHONE: (951) 942-2222 / (925) 226-5255
WWW.GRISWOLDPUMP.COM

TITLE		3x1.5-13 (A20) PEO, LG PF	
DRAWN BY R. Schwartz	DATE 1/19/17	ASSY. NO.	
CHECKED BY R. Beach	DATE 1/26/17	DRAWING NO.	
APPROVED BY B. Backman	DATE 1/26/17	LGO767	REV. A