



Competitive Dimensional Comparison

E Series
Seal-less Internal
Gear Pumps



Where Innovation Flows

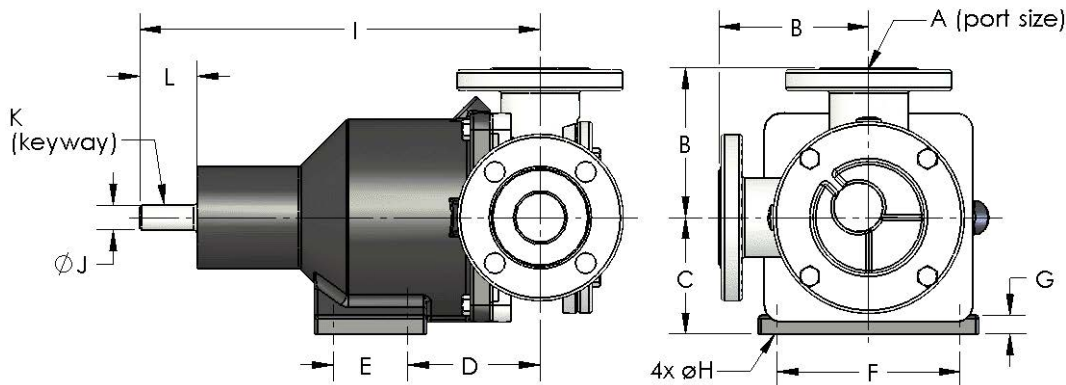
envirogearpump.com



DIMENSIONAL COMPARISON

Dimensional Comparison of E Series and Viking Pumps

E Series Model:	E1-2
Viking Model:	"H"
Ideal Flowrate:	0.0095 gallons per rev



Pumps with 1 1/2" NPT tapped ports

Dim	E Series Value	Viking Value					
		H4124A (CI)	H4125 (CI)	H4225 (CI)	H4124 (CI)	H4126A (DI)	H4724 (SS)
A	1 1/2" NPT	✓	✓	✓	✓	✓	✓
B	3.000	✓	✓	✓	✓	✓	3.500
C	3.500	✓	✓	✓	✓	✓	✓
D	4.000	✓	✓	✓	✓	✓	3.875
E	2.250	✓	✓	✓	✓	✓	✓
F	5.500	✓	✓	✓	✓	✓	✓
G	0.563	✓	✓	✓	✓	✓	✓
H	0.468	✓	✓	✓	✓	✓	✓
I	12.063	✓	✓	✓	✓	✓	11.938
J	0.750	✓	✓	✓	✓	✓	✓
K	.188 square	✓	✓	✓	✓	✓	✓
L	1.625 (min)	✓	✓	✓	✓	✓	✓

Pumps with 1 1/2" ANSI 150# flanged ports

Dim	E Series Value	Viking Value				
		H4124A (CI)	H4125 (CI)	H4225 (CI)	H4123A (CS)	H4127A (SS)
A	1 1/2" ANSI 150#	✓(1)	✓(1)	✓(1)	✓	✓
B	4.000	✓	✓	✓	✓	✓
C	3.500	✓	✓	✓	✓	✓
D	4.000	✓	✓	✓	✓	✓
E	2.250	✓	✓	✓	✓	✓
F	5.500	✓	✓	✓	✓	✓
G	0.563	✓	✓	✓	✓	✓
H	0.468	✓	✓	✓	✓	✓
I	12.063	✓	✓	✓	✓	✓
J	0.750	✓	✓	✓	✓	✓
K	.188 square	✓	✓	✓	✓	✓
L	1.625 (min)	✓	✓	✓	✓	✓

(1) = flanged ports optional for these Viking models

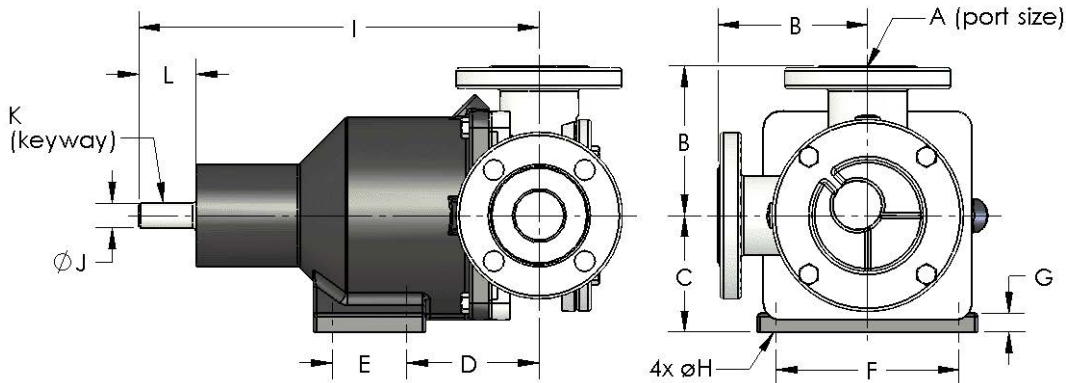
Pumps with 2" ANSI 150# flanged ports (optional)

Dim	E Series Value	Viking Value				
		H4124A (CI)	H4125 (CI)	H4225 (CI)	H4124 (CI)	H4127A (SS)
A	1 1/2" ANSI 150#	✓	✓	✓	✓	✓
B	4.000	4.000	4.000	4.000	4.000	4.000
C	3.500	✓	✓	✓	✓	✓
D	4.000	✓	✓	✓	✓	✓
E	2.250	✓	✓	✓	✓	✓
F	5.500	✓	✓	✓	✓	✓
G	0.563	✓	✓	✓	✓	✓
H	0.468	✓	✓	✓	✓	✓
I	12.063	✓	✓	✓	✓	✓
J	0.750	✓	✓	✓	✓	✓
K	.188 square	✓	✓	✓	✓	✓
L	1.625 (min)	✓	✓	✓	✓	✓

DIMENSIONAL COMPARISON

Dimensional Comparison of E Series and Viking Pumps

E Series Model:	E1-4
Viking Model:	"HL"
Ideal Flowrate:	0.0188 gallons per rev



Pumps with 1 1/2" NPT tapped ports

Dim	E Series Value	Viking Value					
		HL4124A (CI)	HL4125 (CI)	HL4225 (CI)	HL4124 (CI)	HL4126A (DI)	HL4124 (SS)
A	1 1/2" NPT	✓	✓	✓	✓	✓	✓
B	3.000	✓	✓	✓	✓	✓	3.500
C	3.500	✓	✓	✓	✓	✓	✓
D	4.000	✓	✓	✓	✓	✓	3.875
E	2.250	✓	✓	✓	✓	✓	✓
F	5.500	✓	✓	✓	✓	✓	✓
G	0.563	✓	✓	✓	✓	✓	✓
H	0.468	✓	✓	✓	✓	✓	✓
I	12.063	✓	✓	✓	✓	✓	11.938
J	0.750	✓	✓	✓	✓	✓	✓
K	.188 square	✓	✓	✓	✓	✓	✓
L	1.625 (min)	✓	✓	✓	✓	✓	✓

Pumps with 1 1/2" ANSI 150# flanged ports

Dim	E Series Value	Viking Value				
		HL4124A (CI)	HL4125 (CI)	HL4225 (CI)	HL4123A (CS)	HL4127A (SS)
A	1 1/2" ANSI 150#	✓(1)	✓(1)	✓(1)	✓	✓
B	4.000	✓	✓	✓	✓	✓
C	3.500	✓	✓	✓	✓	✓
D	4.000	✓	✓	✓	✓	✓
E	2.250	✓	✓	✓	✓	✓
F	5.500	✓	✓	✓	✓	✓
G	0.563	✓	✓	✓	✓	✓
H	0.468	✓	✓	✓	✓	✓
I	12.063	✓	✓	✓	✓	✓
J	0.750	✓	✓	✓	✓	✓
K	.188 square	✓	✓	✓	✓	✓
L	1.625 (min)	✓	✓	✓	✓	✓

(1) = flanged ports optional for these Viking models

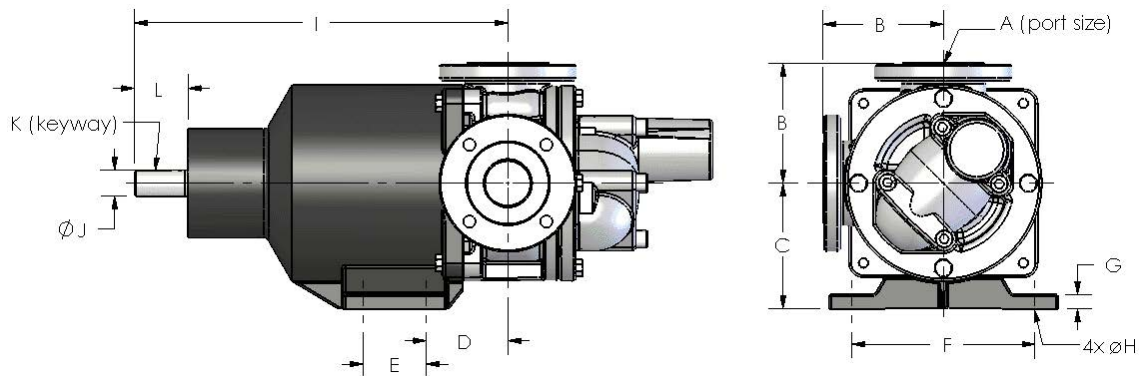
Pumps with 2" ANSI 150# flanged ports (optional)

Dim	E Series Value	Viking Value				
		HL4124A (CI)	HL4125 (CI)	HL4225 (CI)	HL4124 (CI)	HL4127A (SS)
A	1 1/2" ANSI 150#	✓	✓	✓	✓	✓
B	4.000	4.000	4.000	4.000	4.000	4.000
C	3.500	✓	✓	✓	✓	✓
D	4.000	✓	✓	✓	✓	✓
E	2.250	✓	✓	✓	✓	✓
F	5.500	✓	✓	✓	✓	✓
G	0.563	✓	✓	✓	✓	✓
H	0.468	✓	✓	✓	✓	✓
I	12.063	✓	✓	✓	✓	✓
J	0.750	✓	✓	✓	✓	✓
K	.188 square	✓	✓	✓	✓	✓
L	1.625 (min)	✓	✓	✓	✓	✓

DIMENSIONAL COMPARISON

Dimensional Comparison of E Series and Viking Pumps

E Series Model:	E1-24
Viking Model:	"K"
Ideal Flowrate:	0.105 gallons per rev



Pumps with 2" NPT tapped ports

Dim	E Series Value	Viking Value					
		K4124A (CI)	K4125 (CI)	K4225 (CI)	K4124 (CI)	K4126A (DI)	K4124 (SS)
A	2" NPT	✓	✓	✓	✓	✓	✓
B	5.125	✓	✓	✓	✓	✓	✓
C	5.500	✓	✓	✓	✓	✓	✓
D	3.625	✓	✓	✓	✓	✓	✓
E	2.750	✓	✓	✓	✓	✓	✓
F	8.000	✓	✓	✓	✓	✓	✓
G	0.625	✓	✓	✓	✓	✓	✓
H	0.531	✓	✓	✓	✓	✓	✓
I	16.375	✓	✓	✓	✓	✓	✓
J	1.125	✓	✓	✓	✓	✓	✓
K	.250 square	✓	✓	✓	✓	✓	✓
L	2.250 (min)	✓	✓	✓	✓	✓	✓

Pumps with 2" ANSI 150# flanged ports

Dim	E Series Value	Viking Value				
		K4124A (CI)	K4125 (CI)	K4225 (CI)	K4123A (CS)	K4127A (SS)
A	2" ANSI 150#	✓(1)	✓(1)	✓(1)	✓	✓
B	5.250	✓	✓	✓	✓	✓
C	5.500	✓	✓	✓	✓	✓
D	3.625	✓	✓	✓	✓	✓
E	2.750	✓	✓	✓	✓	✓
F	8.000	✓	✓	✓	✓	✓
G	0.625	✓	✓	✓	✓	✓
H	0.531	✓	✓	✓	✓	✓
I	16.375	✓	✓	✓	✓	✓
J	1.125	✓	✓	✓	✓	✓
K	.250 square	✓	✓	✓	✓	✓
L	2.250 (min)	✓	✓	✓	✓	✓

(1) = flanged ports optional for these Viking models

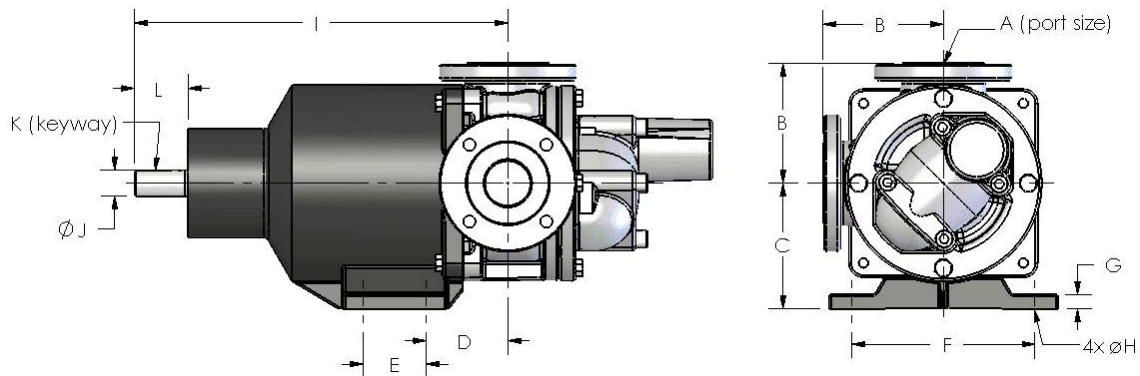
Pumps with 3" ANSI 150# flanged ports (optional)

Dim	E Series Value	Viking Value					
		K4124A (CI)	K4125 (CI)	K4225 (CI)	K4223A (CS)	K4127A (SS)	K4227A (SS)
A	3" ANSI 150#	✓	✓	✓	✓	✓	✓
B	5.250	✓	✓	✓	✓	✓	✓
C	5.500	✓	✓	✓	✓	✓	✓
D	3.625	✓	✓	✓	✓	✓	✓
E	2.750	✓	✓	✓	✓	✓	✓
F	8.000	✓	✓	✓	✓	✓	✓
G	0.625	✓	✓	✓	✓	✓	✓
H	0.531	✓	✓	✓	✓	✓	✓
I	16.375	✓	✓	✓	✓	✓	✓
J	1.125	✓	✓	✓	✓	✓	✓
K	.250 square	✓	✓	✓	✓	✓	✓
L	2.250 (min)	✓	✓	✓	✓	✓	✓

DIMENSIONAL COMPARISON

Dimensional Comparison of E Series and Viking Pumps

E Series Model:	E1-32
Viking Model:	"KK"
Ideal Flowrate:	0.141 gallons per rev



Pumps with 2" NPT tapped ports

Dim	E Series Value	Viking Value					
		KK4124A (CI)	KK4125 (CI)	KK4225 (CI)	KK4124 (CI)	KK4126A (DI)	KK4124 (SS)
A	2" NPT	✓	✓	✓	✓	✓	✓
B	5.125	✓	✓	✓	✓	✓	✓
C	5.500	✓	✓	✓	✓	✓	✓
D	3.625	✓	✓	✓	✓	✓	✓
E	2.750	✓	✓	✓	✓	✓	✓
F	8.000	✓	✓	✓	✓	✓	✓
G	0.625	✓	✓	✓	✓	✓	✓
H	0.531	✓	✓	✓	✓	✓	✓
I	16.375	✓	✓	✓	✓	✓	✓
J	1.125	✓	✓	✓	✓	✓	✓
K	.250 square	✓	✓	✓	✓	✓	✓
L	2.250 (min)	✓	✓	✓	✓	✓	✓

Pumps with 2" ANSI 150# flanged ports

Dim	E Series Value	Viking Value				
		KK4124A (CI)	KK4125 (CI)	KK4225 (CI)	KK4123A (CS)	KK4127A (SS)
A	2" ANSI 150#	✓(1)	✓(1)	✓(1)	✓	✓
B	5.250	✓	✓	✓	✓	✓
C	5.500	✓	✓	✓	✓	✓
D	3.625	✓	✓	✓	✓	✓
E	2.750	✓	✓	✓	✓	✓
F	8.00	✓	✓	✓	✓	✓
G	0.625	✓	✓	✓	✓	✓
H	0.531	✓	✓	✓	✓	✓
I	16.375	✓	✓	✓	✓	✓
J	1.125	✓	✓	✓	✓	✓
K	.250 square	✓	✓	✓	✓	✓
L	2.250 (min)	✓	✓	✓	✓	✓

(1) = flanged ports optional for these Viking models

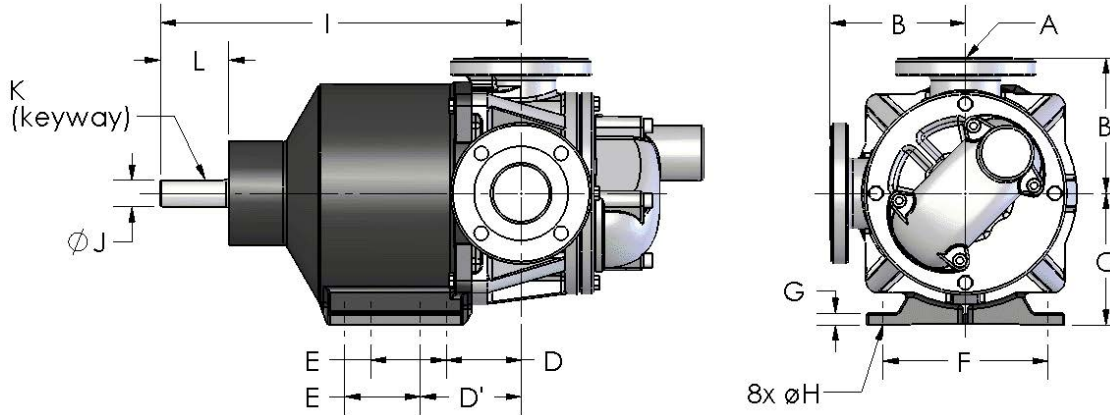
Pumps with 3" ANSI 150# flanged ports (optional)

Dim	E Series Value	Viking Value					
		KK4124A (CI)	KK4125 (CI)	KK4225 (CI)	KK4223A (CS)	KK4127A (SS)	KK4227A (SS)
A	3" ANSI 150#	✓	✓	✓	✓	✓	✓
B	5.250	✓	✓	✓	✓	✓	✓
C	5.500	✓	✓	✓	✓	✓	✓
D	3.625	✓	✓	✓	✓	✓	✓
E	2.750	✓	✓	✓	✓	✓	✓
F	8.000	✓	✓	✓	✓	✓	✓
G	0.625	✓	✓	✓	✓	✓	✓
H	0.531	✓	✓	✓	✓	✓	✓
I	16.375	✓	✓	✓	✓	✓	✓
J	1.125	✓	✓	✓	✓	✓	✓
K	.250 square	✓	✓	✓	✓	✓	✓
L	2.250 (min)	✓	✓	✓	✓	✓	✓

DIMENSIONAL COMPARISON

Dimensional Comparison of E Series and Viking Pumps

E Series Model:	E1-55
Viking Model:	"L" or "LQ"
Ideal Flowrate:	0.238 gallons per rev



Pumps with 2" NPT tapped ports

Dim	E Series Value	Viking Value					
		L4124A (CI)	L4125 (CI)	L4225 (CI)	L4124 (CI)	L4126A (DI)	L4724 (SS)
A	3" ANSI 150#	2" NPT	2" NPT	2" NPT	2" NPT	2" NPT	2" NPT
B	7.188	6.500	6.500	6.500	6.500	6.500	6.500
C	7.000	✓	✓	✓	✓	✓	✓
D	4.000	✓	✓	✓	✓	✓	✓
D'	5.375	n/a	n/a	n/a	n/a	n/a	n/a
E	4.000	✓	✓	✓	✓	✓	✓
F	8.750	✓	✓	✓	✓	✓	✓
G	0.625	✓	✓	✓	✓	✓	✓
H	0.531	✓	✓	✓	✓	✓	✓
I	19.250	17.875	17.875	17.875	17.875	17.875	17.875
J	1.438	1.125	1.125	1.125	1.125	1.125	1.125
K	.375 square	.250 sq	.250 sq	.250 sq	.250 sq	.250 sq	.250 sq
L	3.500 (min)	2.250	2.250	2.250	2.250	2.250	2.250
I	17.875	✓	✓	✓	✓	✓	✓
J	1.125	✓	✓	✓	✓	✓	✓
K	.250 sq	✓	✓	✓	✓	✓	✓
L	2.250 (min)	✓	✓	✓	✓	✓	✓

Pumps with 3" ANSI 150# flanged ports (optional)

Dim	E Series Value	Viking Value			
		LQ4124A (CI)	LQ4125 (CI)	LQ4225 (CI)	LQ4124 (CI)
A	3" ANSI 150#	✓	✓	✓	✓
B	7.188	✓	✓	✓	✓
C	7.000	✓	✓	✓	✓
D	4.000	✓	✓	✓	✓
D'	5.375	n/a	n/a	n/a	n/a
E	4.000	✓	✓	✓	✓
F	8.750	✓	✓	✓	✓
G	0.625	✓	✓	✓	✓
H	0.531	✓	✓	✓	✓
I	19.250	17.875	17.875	17.875	17.875
J	1.438	1.125	1.125	1.125	1.125
K	.375 square	.250 sq	.250 sq	.250 sq	.250 sq
L	3.500 (min)	2.250	2.250	2.250	2.250
I	17.875	✓	✓	✓	✓
J	1.125	✓	✓	✓	✓
K	.250 sq	✓	✓	✓	✓
L	2.250 (min)	✓	✓	✓	✓

Pumps with 2 1/2" ANSI 150# flanged ports

Dim	E Series Value	Viking Value							
		LQ4124A (CI)	LQ4125 (CI)	LQ4225 (CI)	LQ4124 (CI)	LQ4126A (DI)	LQ4123A (CS)	LQ4127A (SS)	LQ4124 (SS)
A	3" ANSI 150#	2 1/2" ANSI 150#	2 1/2" ANSI 150#	2 1/2" ANSI 150#	2 1/2" ANSI 150#	2 1/2" ANSI 150#	2 1/2" ANSI 150#	2 1/2" ANSI 150#	2 1/2" ANSI 150#
B	7.188	✓	✓	✓	✓	✓	✓	✓	✓
C	7.000	✓	✓	✓	✓	✓	✓	✓	✓
D	4.000	✓	✓	✓	✓	✓	✓	✓	✓
D'	5.375	n/a	n/a	n/a	n/a	n/a	n/a	n/a	n/a
E	4.000	✓	✓	✓	✓	✓	✓	✓	✓
F	8.750	✓	✓	✓	✓	✓	✓	✓	✓
G	0.625	✓	✓	✓	✓	✓	✓	✓	✓
H	0.531	✓	✓	✓	✓	✓	✓	✓	✓
I	19.250	17.875	17.875	17.875	17.875	17.875	17.875	17.875	17.875
J	1.438	1.125	1.125	1.125	1.125	1.125	1.125	1.125	1.125
K	.375 square	.250 sq	.250 sq	.250 sq	.250 sq	.250 sq	.250 sq	.250 sq	.250 sq
L	3.500 (min)	2.250	2.250	2.250	2.250	2.250	2.250	2.250	2.250
I	17.875	✓	✓	✓	✓	✓	✓	✓	✓
J	1.125	✓	✓	✓	✓	✓	✓	✓	✓
K	.250 sq	✓	✓	✓	✓	✓	✓	✓	✓
L	2.250 (min)	✓	✓	✓	✓	✓	✓	✓	✓

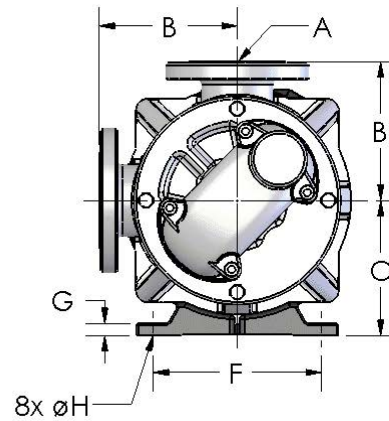
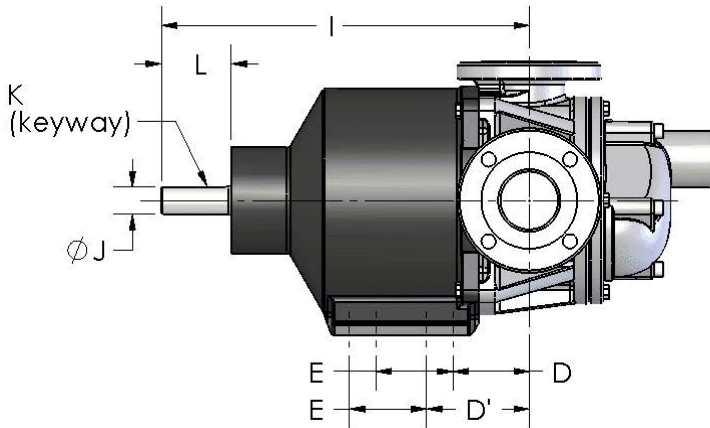
Pumps with 4" ANSI 150# flanged ports (optional)

Dim	E Series Value	Viking Value					
		LQ4124A (CI)	LQ4125 (CI)	LQ4225 (CI)	LQ4124 (CI)	LQ4126A (DI)	LQ4123A (CS)
A	3" ANSI 150#	✓	✓	✓	✓	✓	✓
B	7.188	✓	✓	✓	✓	✓	✓
C	7.000	✓	✓	✓	✓	✓	✓
D	4.000	✓	✓	✓	✓	✓	✓
D'	5.375	n/a	n/a	n/a	n/a	n/a	n/a
E	4.000	✓	✓	✓	✓	✓	✓
F	8.750	✓	✓	✓	✓	✓	✓
G	0.625	✓	✓	✓	✓	✓	✓
H	0.531	✓	✓	✓	✓	✓	✓
I	19.250	17.875	17.875	17.875	17.875	17.875	17.875
J	1.438	1.125	1.125	1.125	1.125	1.125	1.125
K	.375 square	.250 sq	.250 sq	.250 sq	.250 sq	.250 sq	.250 sq
L	3.500 (min)	2.250	2.250	2.250	2.250	2.250	2.250
I	17.875	✓	✓	✓	✓	✓	✓
J	1.125	✓	✓	✓	✓	✓	✓
K	.250 sq	✓	✓	✓	✓	✓	✓
L	2.250 (min)	✓	✓	✓	✓	✓	✓

DIMENSIONAL COMPARISON

Dimensional Comparison of E Series and Viking Pumps

E Series Model:	E1-69
Viking Model:	"LL"
Ideal Flowrate:	0.297 gallons per rev



Pumps with 3" ANSI 150# flanged ports

Dim	E Series Value	Viking Value							
		LL4124A (CI)	LL4125 (CI)	LL4225 (CI)	LL4124 (CI)	LL4126A (DI)	LL4123A (CS)	LL4127A (SS)	LL4124 (SS)
A	3" ANSI 150#	✓	✓	✓	✓	✓	✓	✓	✓
B	7.188	✓	✓	✓	✓	✓	✓	✓	✓
C	7.000	✓	✓	✓	✓	✓	✓	✓	✓
D	4.000	✓	✓	✓	✓	✓	✓	✓	✓
D'	5.375	n/a	n/a	n/a	n/a	n/a	n/a	n/a	n/a
E	4.000	✓	✓	✓	✓	✓	✓	✓	✓
F	8.750	✓	✓	✓	✓	✓	✓	✓	✓
G	0.625	✓	✓	✓	✓	✓	✓	✓	✓
H	0.531	✓	✓	✓	✓	✓	✓	✓	✓
I	19.250	17.875	17.875	17.875	17.875	17.875	17.875	17.875	17.875
J	1.438	1.125	1.125	1.125	1.125	1.125	1.125	1.125	1.125
K	.375 square	.250 sq	.250 sq	.250 sq	.250 sq	.250 sq	.250 sq	.250 sq	.250 sq
L	3.500 (min)	2.250	2.250	2.250	2.250	2.250	2.250	2.250	2.250
I	17.875	✓	✓	✓	✓	✓	✓	✓	✓
J	1.125	✓	✓	✓	✓	✓	✓	✓	✓
K	.250 sq	✓	✓	✓	✓	✓	✓	✓	✓
L	2.250 (min)	✓	✓	✓	✓	✓	✓	✓	✓

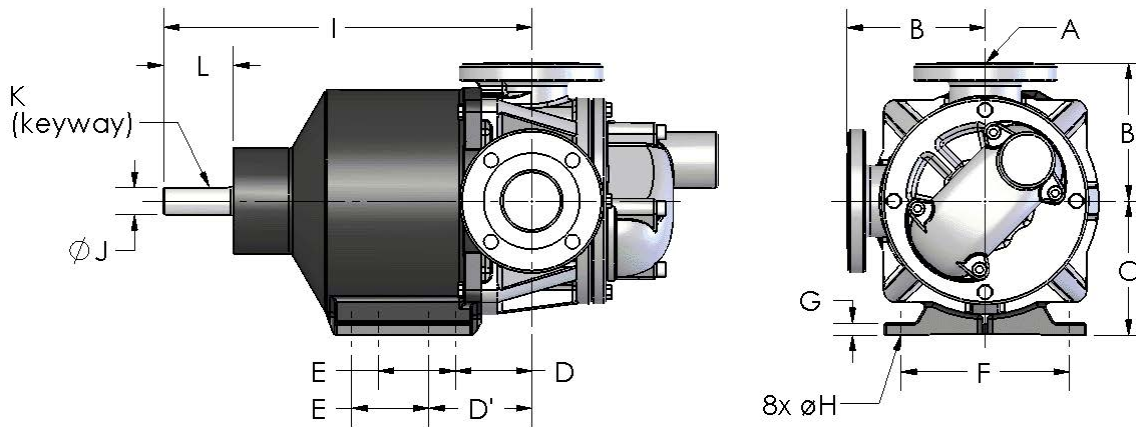
Pumps with 4" ANSI 150# flanged ports (optional)

Dim	E Series Value	Viking Value			
		LL4124A (CI)	LL4125 (CI)	LL4225 (CI)	LL4127A (SS)
A	3" ANSI 150#	✓	✓	✓	✓
B	7.188	7.375	7.375	7.375	7.375
C	7.000	✓	✓	✓	✓
D	4.000	✓	✓	✓	✓
D'	5.375	n/a	n/a	n/a	n/a
E	4.000	✓	✓	✓	✓
F	8.750	✓	✓	✓	✓
G	0.625	✓	✓	✓	✓
H	0.531	✓	✓	✓	✓
I	19.250	17.875	17.875	17.875	17.875
J	1.438	1.125	1.125	1.125	1.125
K	.375 square	.250 sq	.250 sq	.250 sq	.250 sq
L	3.500 (min)	2.250	2.250	2.250	2.250
I	17.875	✓	✓	✓	✓
J	1.125	✓	✓	✓	✓
K	.250 sq	✓	✓	✓	✓
L	2.250 (min)	✓	✓	✓	✓

DIMENSIONAL COMPARISON

Dimensional Comparison of E Series and Viking Pumps

E Series Model:	E1-82
Viking Model:	"LS"
Ideal Flowrate:	0.357 gallons per rev



Pumps with 3" ANSI 150# flanged ports

Dim	E Series Value	Viking Value						
		LS4124A (CI)	LS4125 (CI)	LS4225 (CI)	LS4124 (CI)	LS4126A (DI)	LS4123A (GS)	LS4127A (SS)
A	3" ANSI 150#	✓	✓	✓	✓	✓	✓	✓
B	7.188	✓	✓	✓	✓	✓	✓	✓
C	7.000	✓	✓	✓	✓	✓	✓	✓
D	4.000	n/a	n/a	n/a	n/a	n/a	n/a	n/a
D'	5.375	✓	✓	✓	5.188	✓	✓	✓
E	4.000	✓	✓	✓	✓	✓	✓	✓
F	8.750	✓	✓	✓	✓	✓	✓	✓
G	0.625	✓	✓	✓	✓	✓	✓	✓
H	0.531	✓	✓	✓	✓	✓	✓	✓
I	19.250	✓	✓	✓	18.375	✓	✓	✓
J	1.438	✓	✓	✓	✓	✓	✓	✓
K	.375 square	✓	✓	✓	✓	✓	✓	✓
L	3.500 (min)	✓	✓	✓	✓	✓	✓	✓
I	17.875	19.250	19.250	19.250	19.250	19.250	19.250	19.250
J	1.125	1.438	1.438	1.438	1.438	1.438	1.438	1.438
K	.250 sq	.375 sq	.375 sq	.375 sq	.375 sq	.375 sq	.375 sq	.375 sq
L	2.250 (min)	3.500	3.500	3.500	3.500	3.500	3.500	3.500

Pumps with 4" ANSI 150# flanged ports (optional)

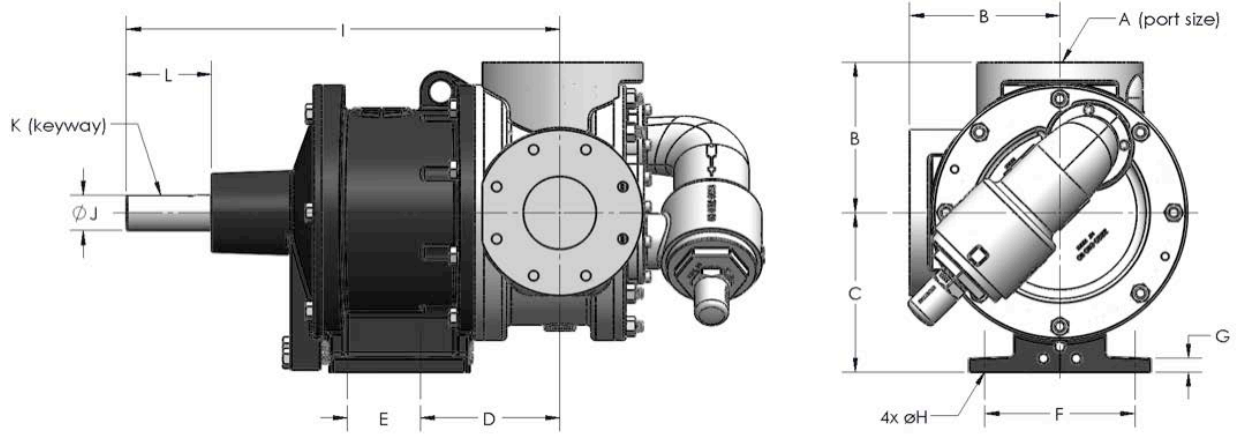
Dim	E Series Value	Viking Value						
		LS4124A (CI)	LS4125 (CI)	LS4225 (CI)	LS4123A (GS)	LS4226A (GS)	LS4127A (SS)	LS4227A (SS)
A	4" ANSI 150#	✓	✓	✓	✓	✓	✓	✓
B	7.188	✓	✓	✓	✓	✓	✓	✓
C	7.000	✓	✓	✓	✓	✓	✓	✓
D	4.000	n/a	n/a	n/a	n/a	n/a	n/a	n/a
D'	5.375	✓	✓	✓	✓	✓	✓	✓
E	4.000	✓	✓	✓	✓	✓	✓	✓
F	8.750	✓	✓	✓	✓	✓	✓	✓
G	0.625	✓	✓	✓	✓	✓	✓	✓
H	0.531	✓	✓	✓	✓	✓	✓	✓
I	19.250	✓	✓	✓	✓	✓	✓	✓
J	1.438	✓	✓	✓	✓	✓	✓	✓
K	.375 square	✓	✓	✓	✓	✓	✓	✓
L	3.500 (min)	✓	✓	✓	✓	✓	✓	✓
I	17.875	19.250	19.250	19.250	19.250	19.250	19.250	19.250
J	1.125	1.438	1.438	1.438	1.438	1.438	1.438	1.438
K	.250 sq	.375 sq	.375 sq	.375 sq	.375 sq	.375 sq	.375 sq	.375 sq
L	2.250 (min)	3.500	3.500	3.500	3.500	3.500	3.500	3.500

(1) = optional small shaft and D' mounting holes match mounting dimensions of most L, LQ and LL models.

DIMENSIONAL COMPARISON

Dimensional Comparison of E Series and Viking Pumps

E Series Model:	E1-133
Viking Model:	"Q"
Ideal Flowrate:	0.655 gallons per rev



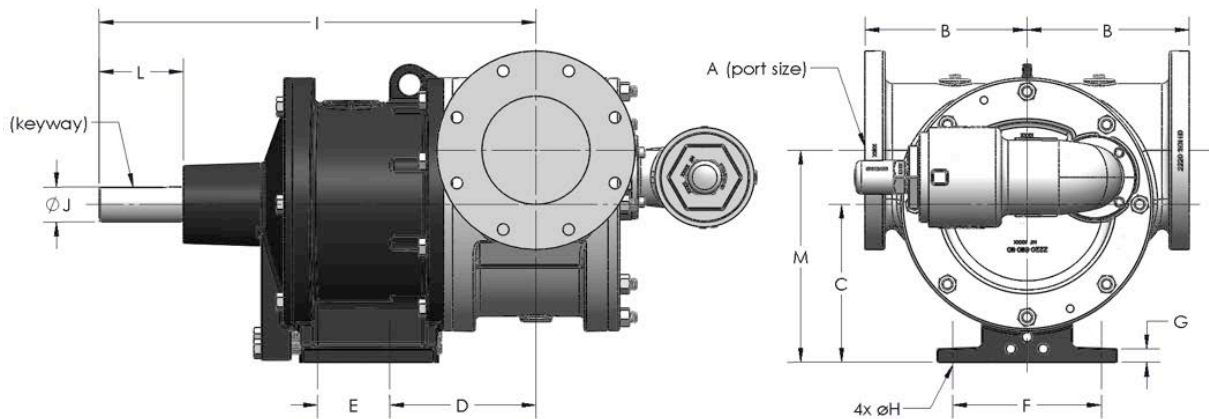
Pumps with 4" 150# ANSI flanged ports

Dim	E Series Value	Viking Value													
		04124A (CI)	04224A (CI)	04124B (CI)	04224B (CI)	04125 (CI)	04225 (CI)	04124 (CI)	04224 (CI)	04126A (DI)	04226A (DI)	04123A (CS)	04223A (CS)	04127A (SS)	04227A (SS)
A	4" ANSI 150#	✓	✓	✓	✓	✓	✓	✓	✓	✓	✓	✓	✓	✓	✓
B	8.250	✓	✓	✓	✓	✓	✓	✓	✓	✓	✓	✓	✓	✓	✓
C	8.750	✓	✓	✓	✓	✓	✓	✓	✓	✓	✓	✓	✓	✓	✓
D	7.650	✓	✓	✓	✓	✓	✓	4.620	✓	✓	✓	✓	✓	✓	✓
E	4.000	✓	✓	✓	✓	✓	✓	✓	✓	✓	✓	✓	✓	✓	✓
F	8.240	✓	✓	✓	✓	✓	✓	✓	✓	✓	✓	✓	✓	✓	✓
G	0.750	✓	✓	✓	✓	✓	✓	✓	✓	✓	✓	✓	✓	✓	✓
H	0.690	✓	✓	✓	✓	✓	✓	✓	✓	✓	✓	✓	✓	✓	✓
I	23.780	✓	✓	✓	✓	✓	✓	20.750	✓	✓	✓	✓	✓	✓	✓
J	1.938	✓	✓	✓	✓	✓	✓	✓	✓	✓	✓	✓	✓	✓	✓
K	.500 square	✓	✓	✓	✓	✓	✓	✓	✓	✓	✓	✓	✓	✓	✓
L	4.500 (min)	✓	✓	✓	✓	✓	✓	✓	✓	✓	✓	✓	✓	✓	✓

DIMENSIONAL COMPARISON

Dimensional Comparison of E Series and Viking Pumps

E Series Model:	E1-222
Viking Model:	"QS"
Ideal Flowrate:	0.982 gallons per rev



Pumps with 6" 150# ANSI flanged ports

Dim	E Series Value	Viking Value											
		QS4124A (CI)	QS4224A (CI)	QS4124B (CI)	QS4224B (CI)	QS4125 (CI)	QS4225 (CI)	QS4126A (DI)	QS4226A (DI)	QS4123A (CS)	QS4223A (CS)	QS4127A (SS)	QS4227A (SS)
A	6" ANSI 150#	✓	✓	✓	✓	✓	✓	✓	✓	✓	✓	✓	✓
B	9.000	✓	✓	✓	✓	✓	✓	✓	✓	✓	✓	✓	✓
C	8.750	✓	✓	✓	✓	✓	✓	✓	✓	✓	✓	✓	✓
D	8.120	✓	✓	✓	✓	✓	✓	✓	✓	✓	✓	✓	✓
E	4.000	✓	✓	✓	✓	✓	✓	✓	✓	✓	✓	✓	✓
F	8.240	✓	✓	✓	✓	✓	✓	✓	✓	✓	✓	✓	✓
G	0.750	✓	✓	✓	✓	✓	✓	✓	✓	✓	✓	✓	✓
H	0.690	✓	✓	✓	✓	✓	✓	✓	✓	✓	✓	✓	✓
I	24.250	✓	✓	✓	✓	✓	✓	✓	✓	✓	✓	✓	✓
J	1.938	✓	✓	✓	✓	✓	✓	✓	✓	✓	✓	✓	✓
K	.500 square	✓	✓	✓	✓	✓	✓	✓	✓	✓	✓	✓	✓
L	4.500 (min)	✓	✓	✓	✓	✓	✓	✓	✓	✓	✓	✓	✓
M	11.750	✓	✓	✓	✓	✓	✓	✓	✓	✓	✓	✓	✓

Dimensional Comparison of E Series and Viking Pumps

Where Innovation Flows

PSG reserves the right to modify the information and illustrations contained in this document without prior notice. This is a non-contractual document. 10-2017



PSG

22069 Van Buren St., Grand Terrace, CA 92313-5607

P: +1 (909) 422-1731 • F: +1 (909) 783-3440

envirogearpump.com

Authorized PSG Representative:

Copyright ©2017, PSG, A Dover Company