

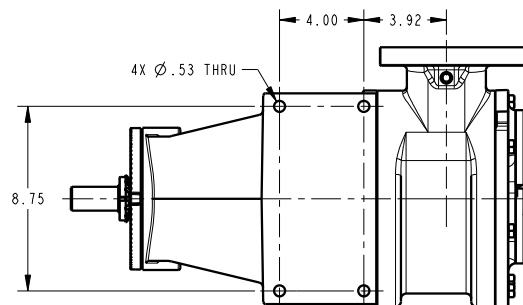
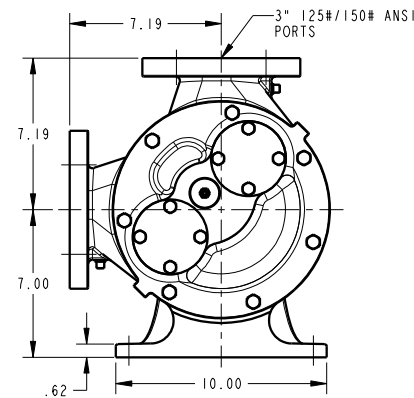
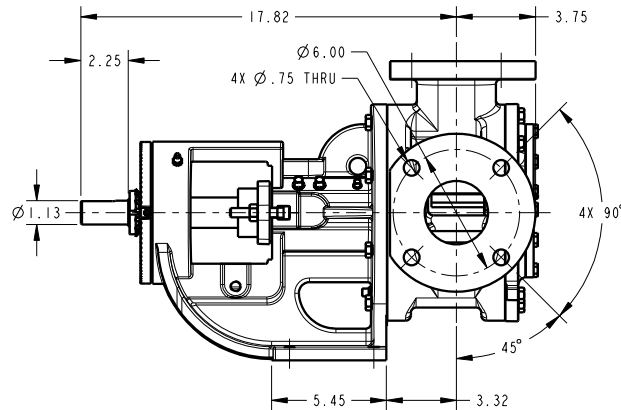
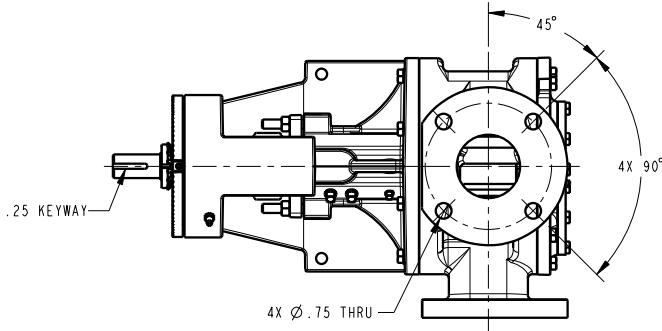
CAD generated and maintained drawing. All printed and electronic copies outside of EnviroGear's engineering database are "Uncontrolled" and shall be used for reference only.

NOTES: UNLESS OTHERWISE SPECIFIED

1. DIMENSIONS AND TOLERANCES PER ASME Y14.5M-1994.
2. * INDICATES DIMENSIONS AND/OR FEATURES MODIFIED ON CURRENT REVISION LEVEL.

THIS DRAWING DOES NOT SHOW DETAILS OF ALL OPTIONS AND ACCESSORIES

REV.	DESCRIPTION	BY	CHK.	APP.	DATE
A	RELEASED INTO PRODUCTION SEE ECN #N00092	-	-	-	-
B	SEE ECN #N00193	C.L.	R.S.	N.O.	06/29/15
C	SEE ECN #N00225	M.S.	R.A.	N.O.	03/15/16



THIS DOCUMENT AND ITS CONTENTS ARE PROPRIETARY TO ENVIROGEAR INTERNAL GEAR PUMP. ANY REPRODUCTION, DISCLOSURE OR USE OF THIS DOCUMENT IS EXPRESSLY PROHIBITED EXCEPT AS OTHERWISE AGREED TO IN WRITING.

DO NOT SCALE DRAWING UNLESS OTHERWISE SPECIFIED DIMENSIONS ARE IN INCHES TOLERANCE ARE:		EnviroGear		EnviroGear® Internal Gear Pumps 22069 VAN BUREN STREET GRAND TERRACE, CA 92313-5607 909 422-1131 WWW.ENVIROGEARPUMP.COM	
DECIMALS .XX ± -	.XXX ± -	TITLE PUMP ASSEMBLY, DIMENSIONAL GI-69, FLANGED, W/O PRV		DATE 03/27/13	
ANGLES ± -	SCALE 1/4	DRAWN BY C. LEOPOLD		DATE 03/29/13	
SHEET 1 OF 1	APPROVED JAMES FARLEY	DATE 03/29/13		ASST. NO. DRAWING NO. LM0019	
					REV. C