

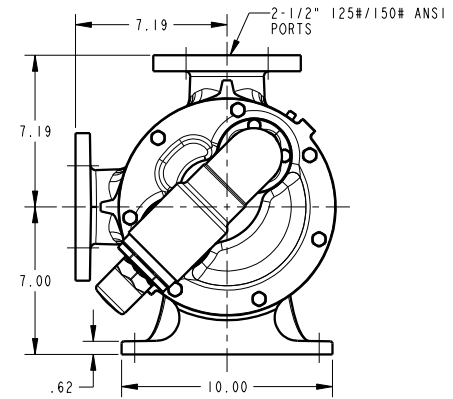
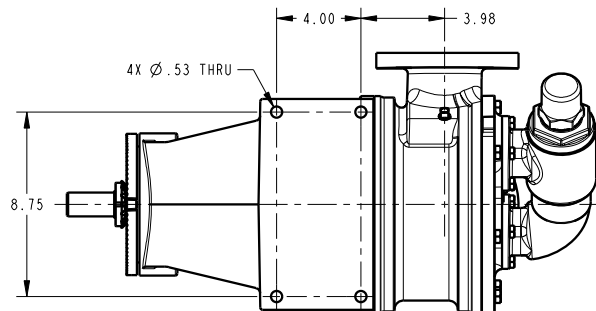
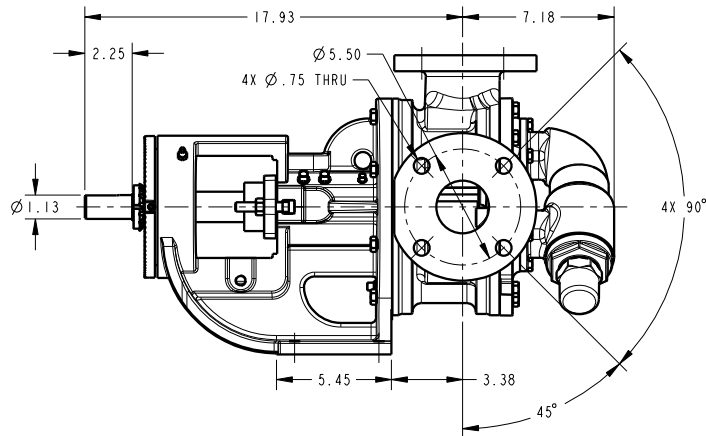
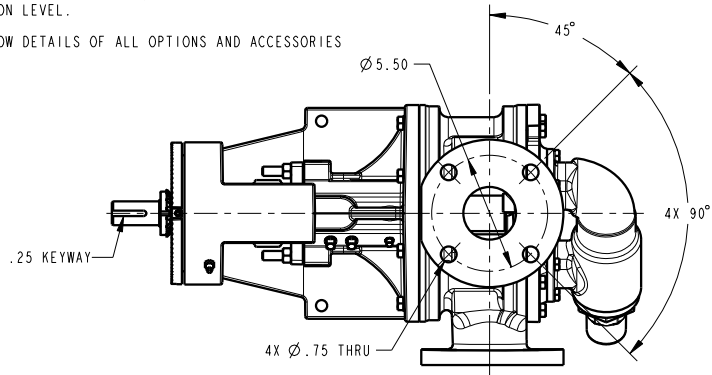
CAD generated and maintained drawing. All printed and electronic copies outside of EnviroGear's engineering database are "Uncontrolled" and shall be used for reference only.

NOTES: UNLESS OTHERWISE SPECIFIED

1. DIMENSIONS AND TOLERANCES PER ASME Y14.5M-1994.
2. * INDICATES DIMENSIONS AND/OR FEATURES MODIFIED ON CURRENT REVISION LEVEL.

THIS DRAWING DOES NOT SHOW DETAILS OF ALL OPTIONS AND ACCESSORIES

REV.	DESCRIPTION	BY	CHK.	APP.	DATE
A	RELEASED INTO PRODUCTION SEE ECN #N00007	-	-	-	-
B	SEE ECN #N00092	C.L.	M.H.	J.F.	03/29/13
C	SEE ECN #N00193	C.L.	R.S.	N.O.	06/29/13
D	SEE ECN #N00225	M.S.	R.A.	N.O.	03/15/16



DO NOT SCALE DRAWING UNLESS OTHERWISE SPECIFIED DIMENSIONS ARE IN INCHES TOLERANCE ARE:		EnviroGear		EnviroGear® Internal Gear Pumps 22069 VAN BUREN STREET GRAND TERRACE, CA 92313-5607 909 422-1131 WWW.ENVIROGEARPUMP.COM	
DECIMALS .XX ± -		TITLE PUMP ASSEMBLY, DIMENSIONAL G1-55, FLANGED		DRAWN BY C. LEOPOLD DATE 05/02/12 ASSY. NO.	
.XXX ± -		CHECKED BY R. ANDRADE DATE 06/01/12 DRAWING NO.		REV.	
ANGLES ± -		APPROVED BY J. FARLEY DATE 06/05/12		LM0007 D	
SCALE 1/4	SHEET 1 OF 1				

THIS DOCUMENT AND ITS CONTENTS ARE PROPRIETARY TO ENVIROGEAR INTERNAL GEAR PUMP ANY REPRODUCTION, DISCLOSURE OR USE OF THIS DOCUMENT IS EXPRESSLY PROHIBITED EXCEPT AS OTHERWISE AGREED TO IN WRITING.