

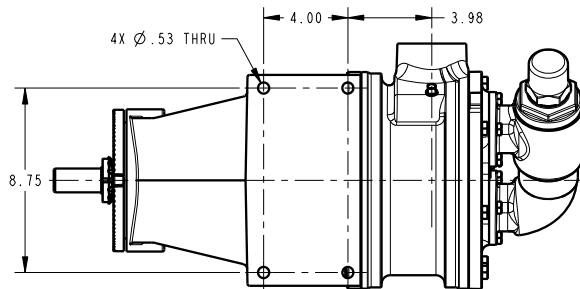
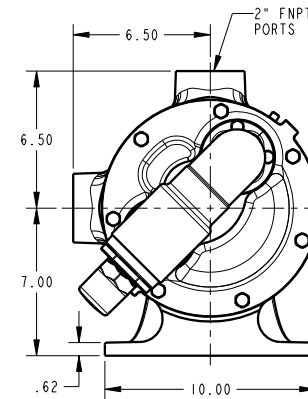
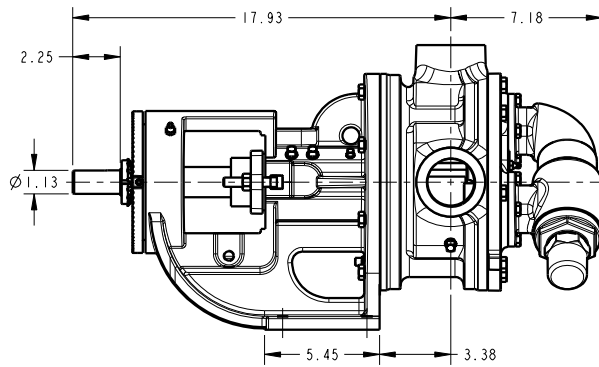
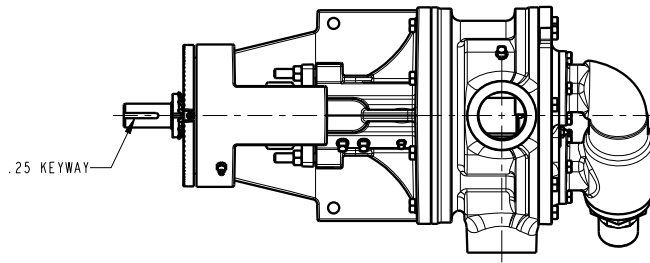
CAD generated and maintained drawing. All printed and electronic copies outside of EnviroGear's engineering database are "Uncontrolled" and shall be used for reference only.

NOTES: UNLESS OTHERWISE SPECIFIED

1. DIMENSIONS AND TOLERANCES PER ASME Y14.5M-1994.
2. * INDICATES DIMENSIONS AND/OR FEATURES MODIFIED ON CURRENT REVISION LEVEL.

THIS DRAWING DOES NOT SHOW DETAILS OF ALL OPTIONS AND ACCESSORIES

REV.	DESCRIPTION	BY	CHK.	APP.	DATE
A	RELEASED INTO PRODUCTION SEE ECN #N00007	-	-	-	-
B	SEE ECN #N00092	C.L.	M.H.	J.F.	03/29/13
C	SEE ECN #N00225	C.L.	R.A.	N.O.	03/15/16



DO NOT SCALE DRAWING UNLESS OTHERWISE SPECIFIED DIMENSIONS ARE IN INCHES TOLERANCE ARE:		EnviroGear		EnviroGear® Internal Gear Pumps 22069 VAN BUREN STREET GRAND TERRACE, CA 92313-5607 909 422-1131 WWW.ENVIROGARPUMP.COM	
TITLE: PUMP ASSEMBLY, DIMENSIONAL INTERNAL GEAR, GI-55					
DECIMALS .XX ± -	.XXX ± -	ANGLES ± -	SCALE 1/4	DRAWN BY C. LEOPOLD	DATE 05/02/12
				CHECKED BY R. ANDRADE	DATE 06/01/12
				APPROVED BY J. FARLEY	DATE 06/05/12
				ASST. NO.	REV.
				DRAWING NO. LM0005	C

THIS DOCUMENT AND ITS CONTENTS ARE PROPRIETARY TO ENVIROGEAR INTERNAL GEAR PUMP. ANY REPRODUCTION, DISCLOSURE OR USE OF THIS DOCUMENT IS EXPRESSLY PROHIBITED EXCEPT AS OTHERWISE AGREED TO IN WRITING.