

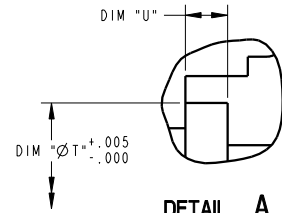
CAD generated and maintained drawing. All printed and electronic copies outside of EnviroGear's engineering database are "Uncontrolled" and shall be used for reference only.

NOTES: UNLESS OTHERWISE SPECIFIED

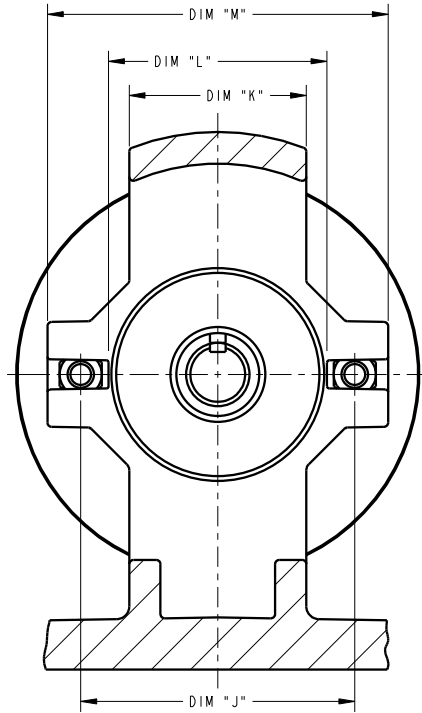
1. \* INDICATES DIMENSIONS AND/OR FEATURES MODIFIED ON CURRENT REVISION LEVEL.

DRAWING DOES NOT SHOW DETAILS OF ALL OPTIONS AND ACCESSORIES

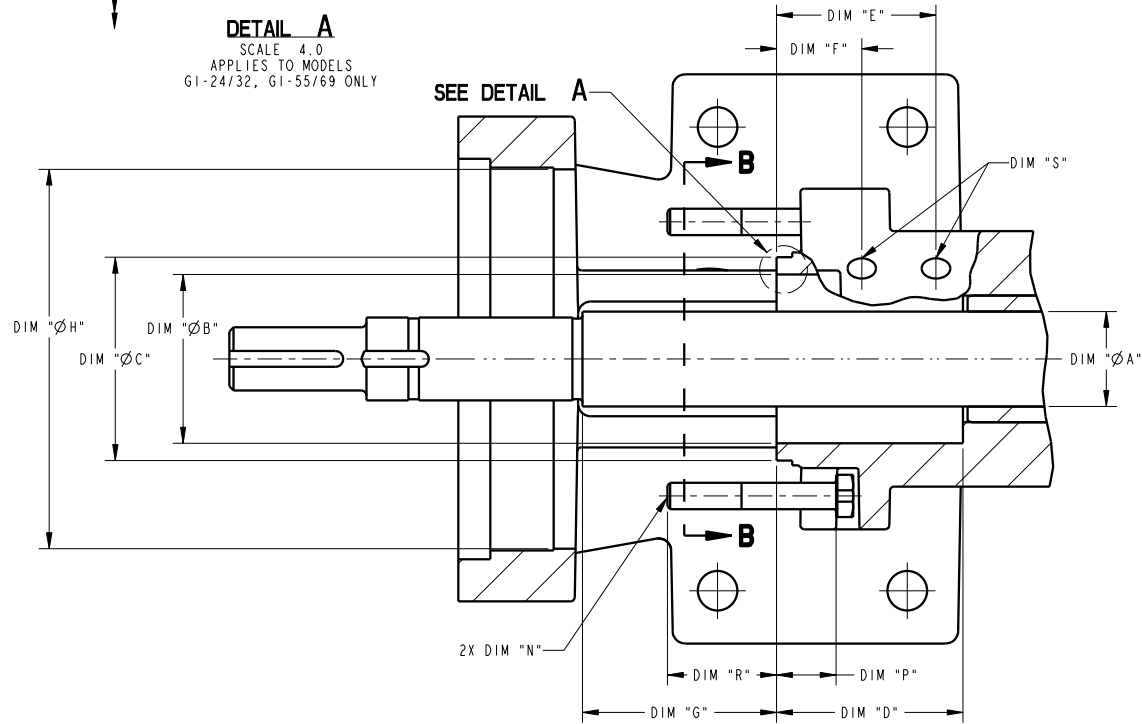
REV.	DESCRIPTION	BY	CHK.	APP.	DATE
A	RELEASED INTO PRODUCTION SEE ECN #N00036	-	-	-	-
B	SEE ECN #N00092	C.L.	M.H.	J.F.	03/29/13
C	SEE ECN #E00252	C.L.	A.E.	L.L.	08/07/13
D	SEE ECN #N00208	C.L.	L.L.	N.O.	11/03/13
E	SEE ECN #N00213	R.A.	C.L.	B.S.	02/01/16
F	SEE ECN #N00278	C.L.	B.S.	N.O.	08/17/16



**DETAIL A**  
SCALE 4.0  
APPLIES TO MODELS  
G1-24/32, G1-55/69 ONLY



**SECTION B-B**



PUMP SIZE	UNITS	DIM "ØA"	DIM "ØB"	DIM "ØC"	DIM "D"	DIM "E"	DIM "F"	DIM "G"	DIM "ØH"	DIM "J"	DIM "K"	DIM "L"	DIM "M"	DIM "N"	DIM "P"	DIM "R"	DIM "S"	DIM "ØT"	DIM "U"
G1-2/4	in	Ø 1.13	Ø 2.00	Ø 2.41	2.21	1.89	1.01	2.30	Ø 4.50	3.00-3.50	2.10	2.60	4.00	5/16-18 UNC	.70	1.55	1/8" FNPT	N/A	N/A
	mm	Ø 28.45	Ø 50.80	Ø 61.21	56.13	48.01	25.65	58.42	Ø 114.3	76.2-88.9	53.34	66.04	101.6	-	17.78	39.37	-	N/A	N/A
G1-24/32	in	Ø 1.44	Ø 2.31	N/A	3.125	2.25	1.25	3.00	Ø 5.25	3.50-4.50	2.56	3.00	5.00	7/16-14 UNC	.41	2.09	1/4" FNPT	Ø 2.688	.125
	mm	Ø 36.58	Ø 58.67	N/A	79.375	57.14	31.75	76.20	Ø 133.35	88.9-114.3	65.02	76.20	127.00	-	10.41	53.09	-	Ø 68.275	3.175
G1-55/69	in	Ø 1.44	Ø 2.31	N/A	3.125	2.25	1.25	4.06	Ø 5.25	3.50-4.50	2.80	3.00	5.00	7/16-14 UNC	.26	2.24	1/4" FNPT	Ø 2.688	.125
	mm	Ø 36.58	Ø 58.67	N/A	79.375	57.14	31.75	103.12	Ø 133.35	88.9-114.3	71.12	76.20	127.00	-	6.60	56.90	-	Ø 68.275	3.175
G1-82	in	Ø 1.63	Ø 2.375	N/A	2.70	2.25	1.15	3.52	Ø 5.25	3.25-4.50	3.00	3.00	5.00	7/16-14 UNC	.44	1.81	1/4" FNPT	N/A	N/A
	mm	Ø 41.4	Ø 60.3	N/A	68.6	57.1	29.2	89.4	Ø 133.3	82.6-14.3	76.2	76.2	127.00	-	11.2	46.0	-	N/A	N/A
G1-133/222	in	Ø 2.44	Ø 3.42	N/A	4.00	2.50	1.55	4.10	Ø 6.75	5.50-6.25	3.36	5.30	7.32	5/8-11 UNC	.70	2.30	1/4" FNPT	N/A	N/A
	mm	Ø 62.0	Ø 86.9	N/A	101.6	63.5	39.4	104.1	Ø 171.5	139.7-158.7	85.3	134.6	186.00	-	17.8	58.4	-	N/A	N/A

DO NOT SCALE DRAWING  
UNLESS OTHERWISE SPECIFIED  
DIMENSIONS ARE IN INCHES  
TOLERANCE ARE:

DECIMALS .XX ±	-
.XXX ±	-
ANGLES ±	-

SCALE 1/1 SHEET 1 OF 1

**EnviroGear** Internal Gear Pumps  
22069 VAN BUREN STREET  
GRAND TERRACE, CA 92313-5607  
909 422-1131  
WWW.ENVIROGEARPUMP.COM

TITLE: **SEAL CHAMBER G-SERIES**

DRAWN BY: C. LEOPOLD	DATE: 10/09/12	ASSY. NO.
CHECKED BY: R. ANDRADE	DATE: 10/12/12	DRAWING NO.
APPROVED BY: J. FARLEY	DATE: 10/15/12	REV. F

LM0011

THIS DOCUMENT AND ITS CONTENTS ARE PROPRIETARY TO ENVIROGEAR INTERNAL GEAR PUMP. ANY REPRODUCTION, DISCLOSURE OR USE OF THIS DOCUMENT IS EXPRESSLY PROHIBITED EXCEPT AS OTHERWISE AGREED TO IN WRITING.