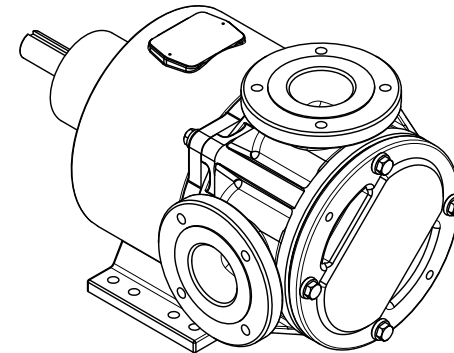
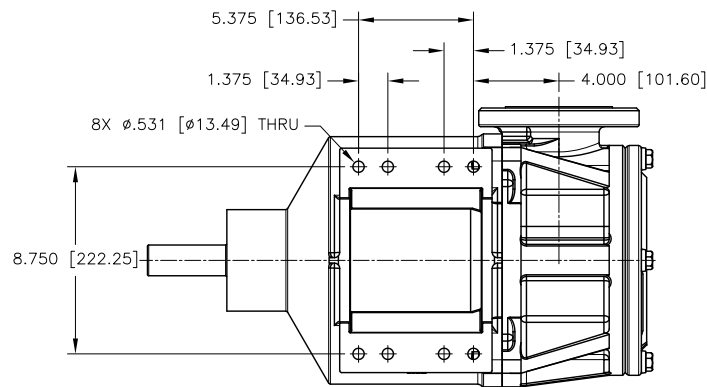
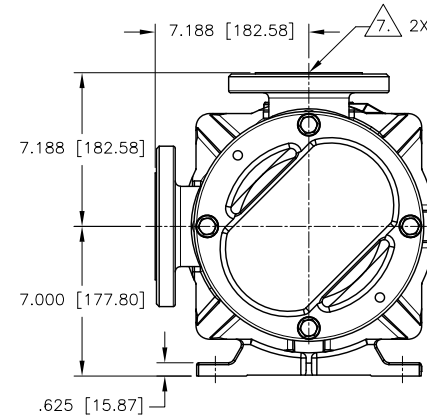
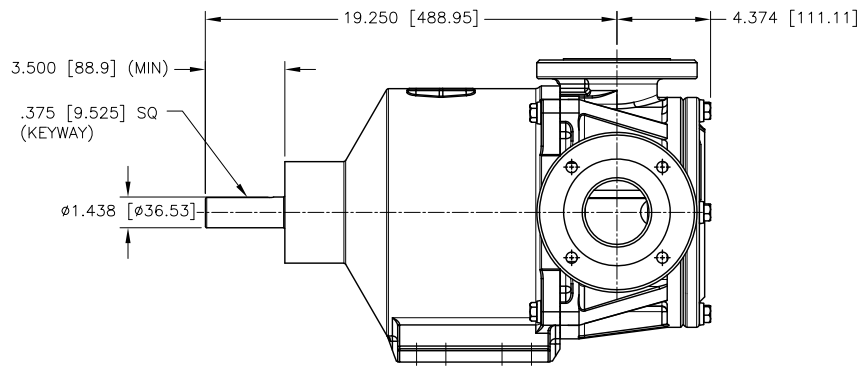


NOTES: UNLESS OTHERWISE SPECIFIED

1. DIMENSIONS AND TOLERANCES PER ASME Y14.5M-1994.
2. * INDICATES DIMENSIONS AND/OR FEATURES MODIFIED ON CURRENT REVISION LEVEL.
3. ALL DIMENSIONS ARE FOR REFERENCE ONLY.
4. DIMENSIONS IN [] ARE MILLIMETERS.
5. PORT ORIENTATION SHOWN MAY BE DIFFERENT THAN THE SELECTED ORIENTATION.
6. THIS DRAWING DOES NOT SHOW DETAILS OF ALL OPTIONS AND ACCESSORIES.
- * 7. AVAILABLE WITH ANSI 3" ANSI 150# RAISED FACED FLANGES, 4" ANSI 150# COMPATIBLE RAISED FACED FLANGES, AND PN16 COMPATIBLE RAISED FACE FLANGES. SEE FLANGE CHART FOR DIMENSIONS

REV.	DESCRIPTION	BY	CHK.	APP.	DATE
A	RELEASED INTO PRODUCTION SEE ECN #E00122	-	-	-	-
B	SEE ECN #E00188	C.L.	R.A.	J.F.	01/09/14
C	SEE ECN #E00195	C.L.	R.A.	J.F.	02/21/14
D	SEE ECN #E00284	HARI	C.L.	B.W.	10/18/16

FLANGE DIMENSIONS				
3" ANSI 150#				
NOMINAL PIPE SIZE	FLANGE DIAMETER	BOLT CIRCLE DIA	NO OF BOLTS	BOLT HOLE SIZE
3.00 [76.2]	7.50 [190]	6.00 [152.4]	4	0.625-11 UNC-2B
4" ANSI 150# COMPATIBLE				
4.00 [101.6]	9.00 [230]	7.50 [190.5]	8	0.625-11 UNC-2B
DIN80 ISO (DIN) PN16 COMPATIBLE				
3.00 [76.2]	7.90 [200]	6.299 [160]	4	M16 X 2-6H



DO NOT SCALE DRAWING UNLESS OTHERWISE SPECIFIED DIMENSIONS ARE IN INCHES TOLERANCES ARE:				EnviroGear® Internal Gear Pumps 22069 VAN BUREN STREET GRAND TERRACE, CA 92313-5607 909 424-1131 WWW.ENVIROGEARPUMP.COM	
DECIMALS .XX ± -		TITLE E1-55/69/82, FLANGE, 90 DEG, W/O PRV DIMENSIONAL DRAWING		DATE 01/24/13	
ANGLES ± -		DRAWN BY C. LEOPOLD		DATE 02/13/13	
SCALE 1/4		CHECKED BY R. ANDRADE		DATE 02/13/13	
SHEET 1 OF 1		APPROVED BY N. WINSOR		DATE 02/13/13	
				REV. NO. DRAWING NO. LE0013	

THIS DOCUMENT AND ITS CONTENTS ARE PROPRIETARY TO ENVIROGEAR INTERNAL GEAR PUMP. ANY REPRODUCTION, DISCLOSURE OR USE OF THIS DOCUMENT IS EXPRESSLY PROHIBITED EXCEPT AS OTHERWISE AGREED TO IN WRITING.