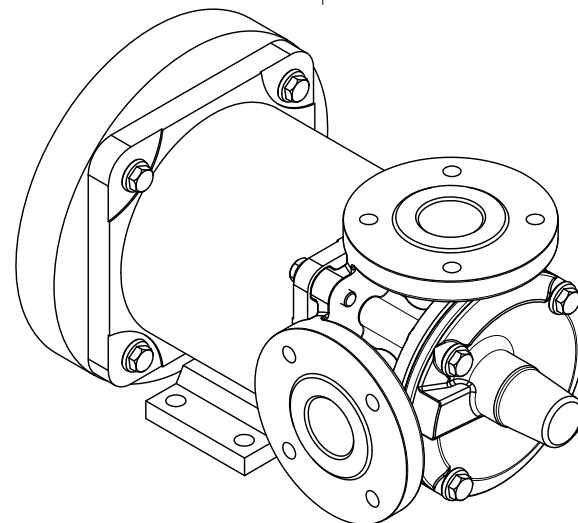
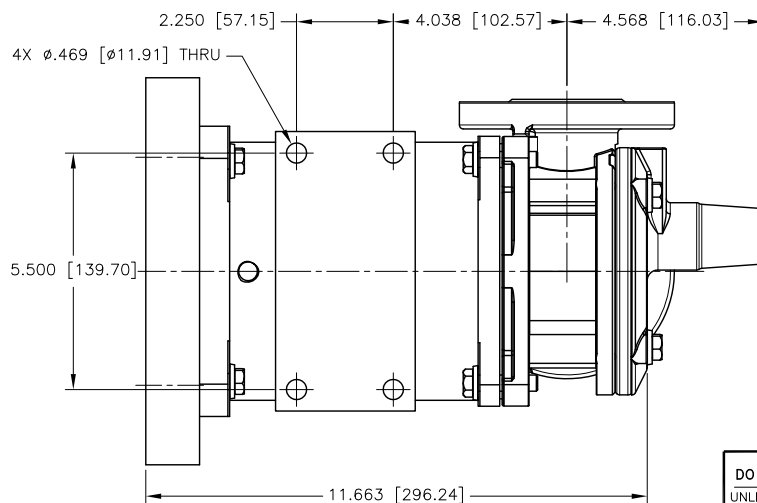
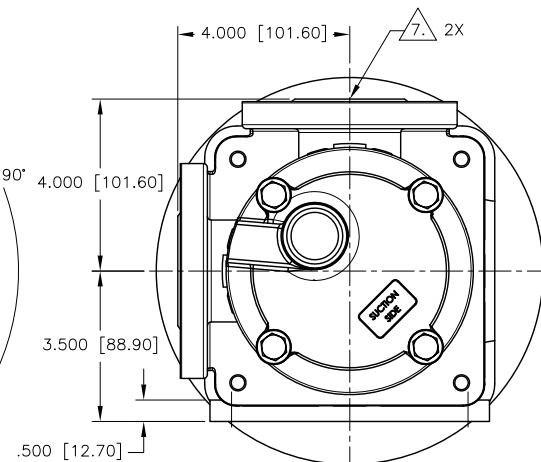
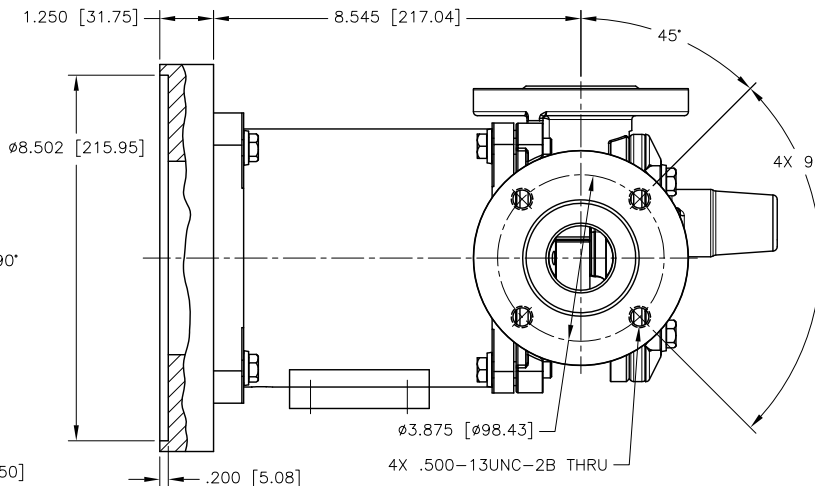
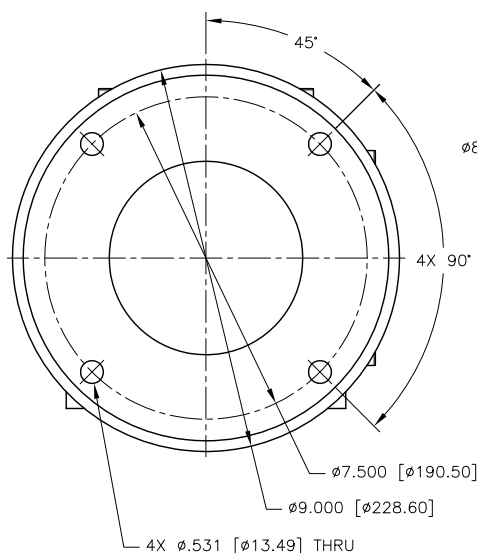


NOTES: UNLESS OTHERWISE SPECIFIED

1. DIMENSIONS AND TOLERANCES PER ASME Y14.5M-1994.
2. \* INDICATES DIMENSIONS AND/OR FEATURES MODIFIED ON CURRENT REVISION LEVEL.
3. ALL DIMENSIONS ARE FOR REFERENCE ONLY.
4. DIMENSIONS IN [ ] ARE MILLIMETERS.
5. PORT ORIENTATION SHOWN MAY BE DIFFERENT THAN THE SELECTED ORIENTATION.
6. THIS DRAWING DOES NOT SHOW DETAILS OF ALL OPTIONS AND ACCESSORIES.
- \* 7. AVAILABLE WITH ANSI 150# AND PN16 RAISED FACE. SEE FLANGE CHART FOR DIMENSIONS.

FLANGE DIMENSIONS				
1-1/2" ANSI 150#				
NOMINAL PIPE SIZE	FLANGE DIAMETER	BOLT CIRCLE DIA	NO OF BOLTS	BOLT HOLE SIZE
1.50 [38]	5.00 [127]	3.875 [98.42]	4	0.500-13 UNC - 2B
DIN40 ISO (DIN) PN16				
1.50 [38]	5.90 [150]	4.331 [110]	4	M16 X 2-6H

REV.	DESCRIPTION	BY	CHK.	APP.	DATE
A	RELEASED INTO PRODUCTION SEE ECN #E00141	-	-	-	-
B	SEE ECN #E00195	C.L.	R.A.	J.F.	02/21/14
C	SEE ECN #E00281	C.L.	B.W.	B.S.	09/14/16



**DO NOT SCALE DRAWING**  
UNLESS OTHERWISE SPECIFIED  
DIMENSIONS ARE IN INCHES  
TOLERANCES ARE:

DECIMALS .XX	± -
.XXX	± -
ANGLES	± -

SCALE 1/2 SHEET 1 OF 1

		EnviroGear® Internal Gear Pumps 22069 VAN BUREN STREET GRAND TERRACE, CA 92313-6007 916-922-1713 WWW.ENVIROGEARPUMP.COM	
TITLE: E1-2/4, 1-1/2" FLANGE, 90° W/PRV, 182/184, 213/215, 254/256 TC DIMENSIONAL DRAWINGS			
DRAWN BY	R. ANDRADE	DATE	03/21/13
CHECKED BY	C. LEOPOLD	DATE	03/21/13
APPROVED BY	J. FARLEY	DATE	03/21/13
ASSY. NO.		DRAWING NO.	LE0022
REV.			

THIS DOCUMENT AND ITS CONTENTS ARE PROPRIETARY TO ENVIROGEAR INTERNAL GEAR PUMP. ANY REPRODUCTION, DISCLOSURE OR USE OF THIS DOCUMENT IS EXPRESSLY PROHIBITED EXCEPT AS OTHERWISE AGREED TO IN WRITING.