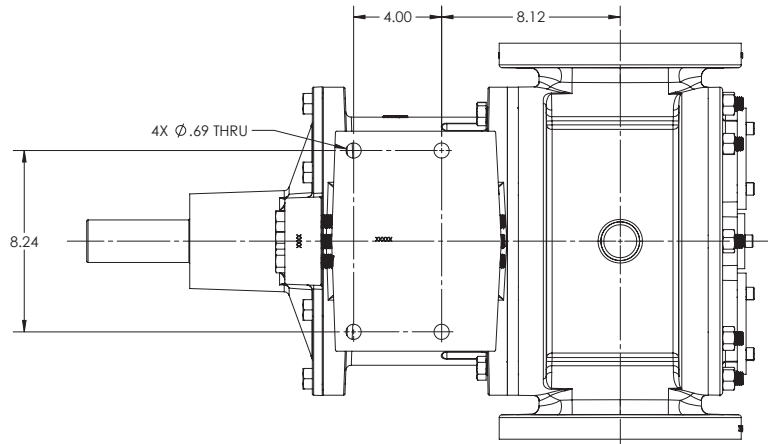
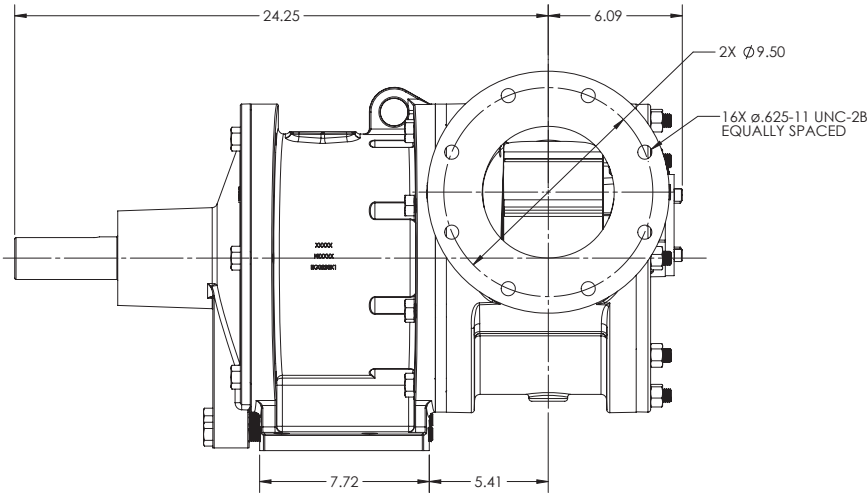
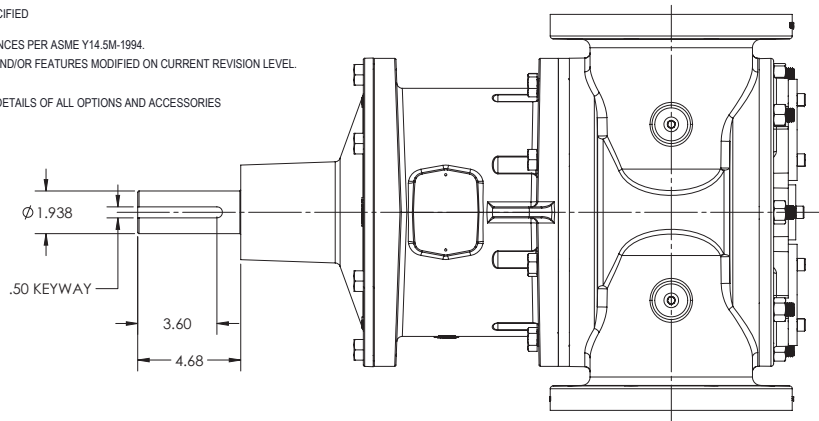


CAD generated and maintained drawing. All printed and electronic copies outside of EnviroGear's engineering database are "Uncontrolled" and shall be used for reference only.

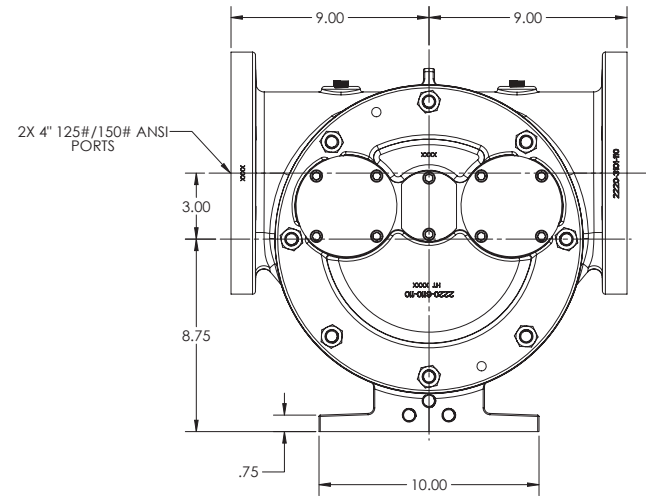
NOTES: UNLESS OTHERWISE SPECIFIED

1. DIMENSIONS AND TOLERANCES PER ASME Y14.5M-1994.
2. * INDICATES DIMENSIONS AND/OR FEATURES MODIFIED ON CURRENT REVISION LEVEL.

THIS DRAWING DOES NOT SHOW DETAILS OF ALL OPTIONS AND ACCESSORIES



REV.	DESCRIPTION	BY	CHECK	APPR.	DATE
X					



DO NOT SCALE DRAWING UNLESS OTHERWISE SPECIFIED DIMENSIONS ARE IN INCHES TOLERANCES ARE:		EnviroGear® Internal Gear Pumps		EnviroGear® Internal Gear Pumps 22069 VAN BUREN STREET GRAND TERRACE, CA 92313-5607 909.422-1731 WWW.ENVIROGEARPUMP.COM	
DECIMALS .XX ± .01 .XXX ± .005		TITLE PUMP ASSEMBLY, DIMENSIONAL E1-222, non-PRV		DATE 9/15/2017	
ANGLES ± 1/2°		DRAWN BY C. SHAFER		DATE 9/15/2017	
SCALE NONE SHEET 1 OF 1		CHECKED BY		DATE	
		APPROVED BY		DATE	
		LE0115		REV. A	

THIS DOCUMENT AND ITS CONTENTS ARE PROPRIETARY TO ENVIROGEAR INTERNAL GEAR PUMP ANY REPRODUCTION, DISCLOSURE OR USE OF THIS DOCUMENT IS EXPRESSLY PROHIBITED EXCEPT AS OTHERWISE AGREED TO IN WRITING

REVISED 05-10-2016