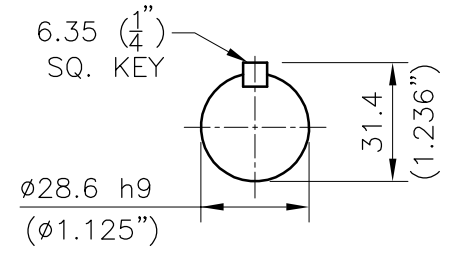
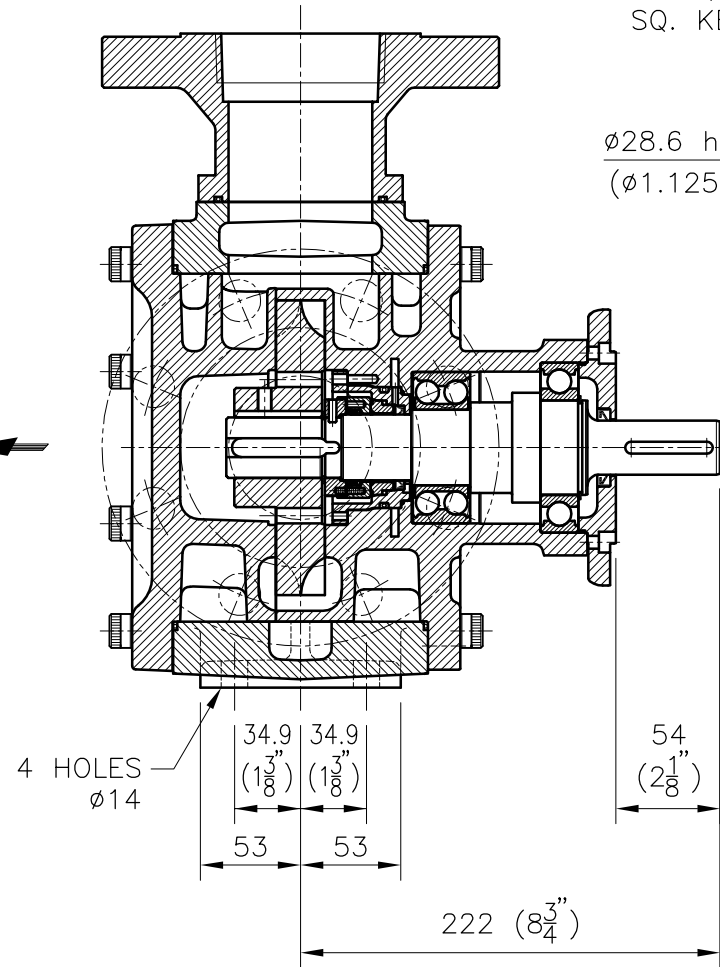


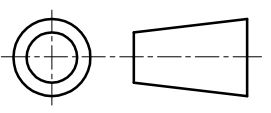
INLET AND OUTLET – DN80 (3")
ANSI CLASS 300/3" NPT



SHAFT DETAIL



REV	DATE	DESCRIPTION	REV. BY	CKD. BY	APPR. BY



UNLESS STATED
OTHERWISE
ALL DIMENSIONS IN
MILLIMETRES



ABN 52 000 061 003
156 South Creek Road Ph.(61 2) 9905 0234
Cromer NSW 2099 Fax(61 2) 9938 3825
Australia www.ebsraypumps.com.au

TITLE: "EBSRAY" MODELS R80 AND R82 P0 BUILDS		
SCALE: 1=4	DATE: JAN 17 2020	
DRAWN: J.J.D.	CHK.D: J.J.D.	APPR.:
COMP.No: A900004D	DRG.No A900004D	REV. A