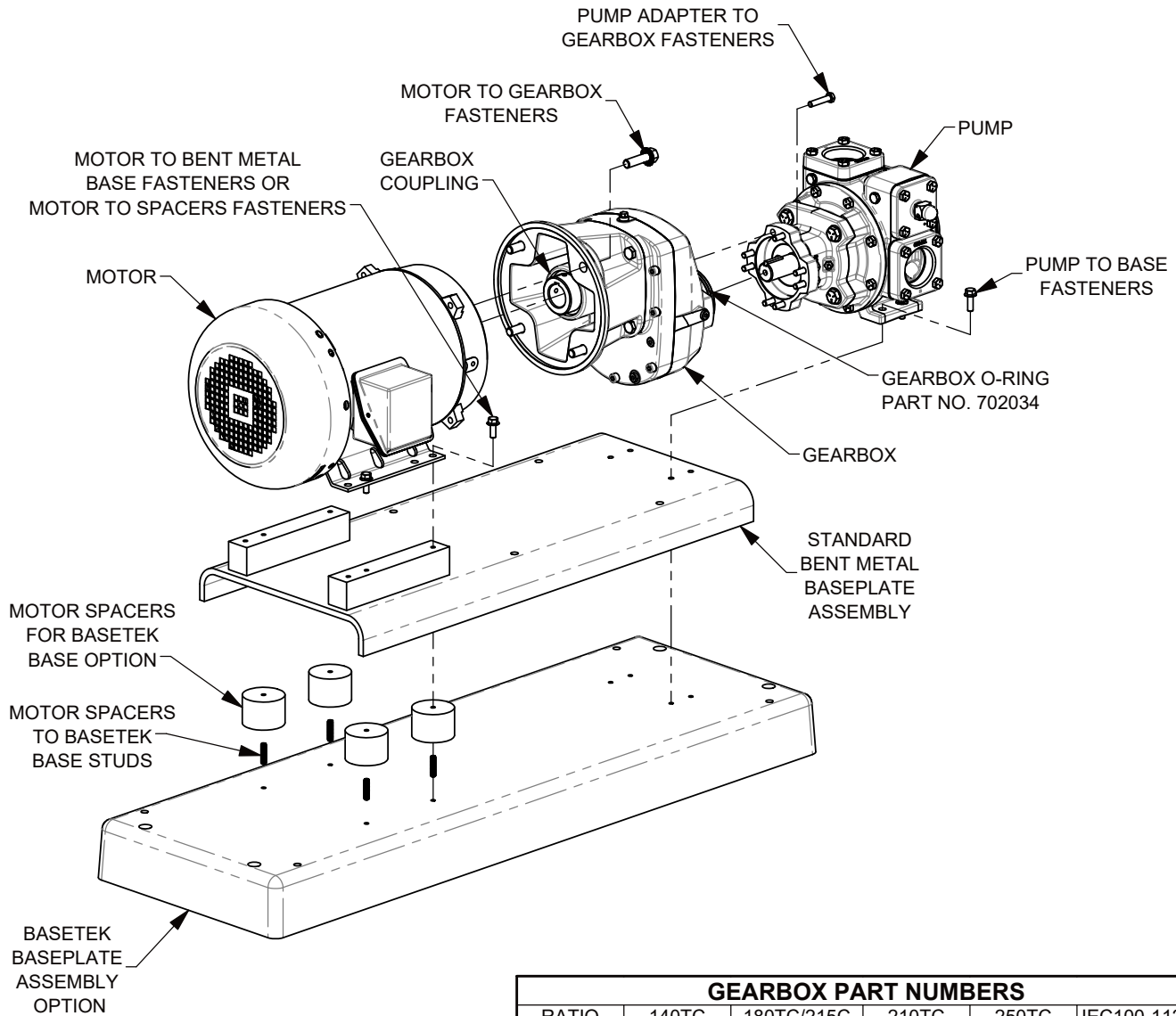




TYPE	SIZE	UNIT STYLE	PARTS LIST 011-045	
			Section Effective Replaces Page 1 / 1	101,701,801,501,107,105 MARCH 2020 SEPT 2019
GNX, GNXH, CRL, SGL, XL, XLW	2" 2.5"	N15		



GEARBOX COUPLINGS		GEARBOX PART NUMBERS					
PART NUMBER	DESCRIPTION	RATIO	140TC	180TC/215C	210TC	250TC	IEC100-112 B5
906520	SK771.1 140TC	2.15	N/A	812330	812331	812332	812333
906521	SK771.1 180TC	2.65	N/A	812340	812341	812342	812343
906522	SK771.1 210TC	3.38	N/A	812350	812351	N/A	812353
906523	SK771.1 250TC	3.75	N/A	812360	812361	N/A	812363
		4.14	812369	812370	812371	N/A	812373
		4.96	812379	812380	812381	N/A	812383
		5.41	812389	N/A	N/A	N/A	812393

2" GNX, GNXH, CRL, SGL, XL, XLW MODELS				2.5" GNX, GNXH MODELS			
MOTOR FRAME SIZE	BENT METAL BASE	BASETEK BASE OPTION	MOTOR TO GEARBOX FASTENERS	MOTOR FRAME SIZE	BENT METAL BASE	BASETEK BASE OPTION	MOTOR TO GEARBOX FASTENERS
QTY	1X	1X	4X	QTY	1X	1X	4X
143TC	905710	N/A	920950	182TC	905721	905741	920951
145TC		905750		184TC		905761	
182TC	905711	905731	920951	213TC	905722	905742	920954
184TC		905751		215TC		905762	
213TC	905712	905732	920954	215C	905728	N/A	920951
215TC		905752		254TC		905743	
215C	905718	N/A	920950	256TC	905723	905763	909670