

LB942A PARTS LIST

DISCONTINUED MODEL - PARTS AVAILABILITY MAY BE LIMITED

Serial # _____

ID# _____

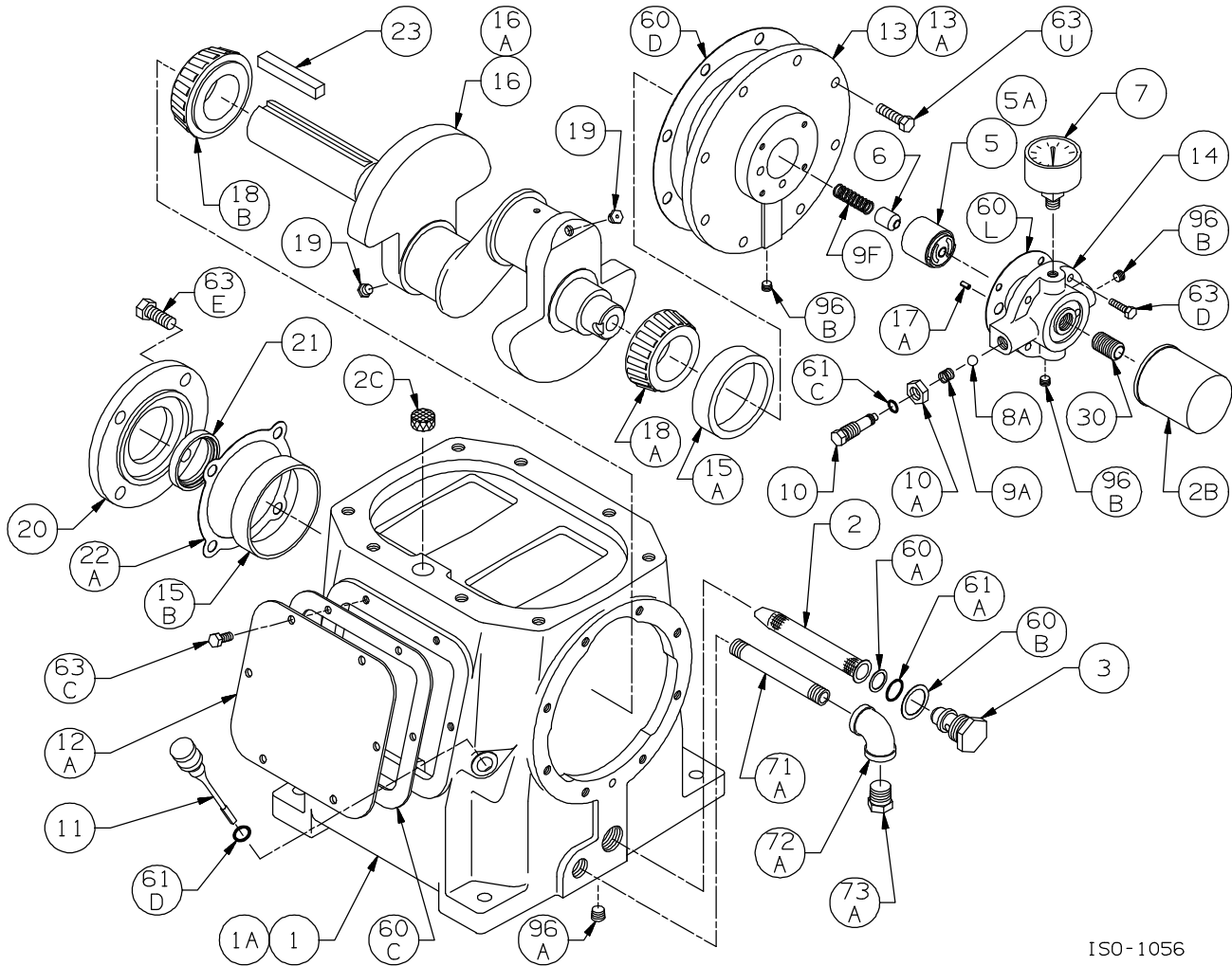
Gasket Sets and Special Tools

Gasket Set	Buna-N & Iron	794791
Wrench for Valve Holdown Screw		790535
Packing Installation Tool		790540
Adjustable Spanner Wrench, 1/4" Pins		790316

Bulletins Needed For Complete Parts List

This page	5E-070
Crankcase	5F-040
Oil Pump	5G-011
Flywheel	5H-030
Crosshead	5J-070
Packing	5K-010
Cylinder	5L-050

Notes:



ISO-1056

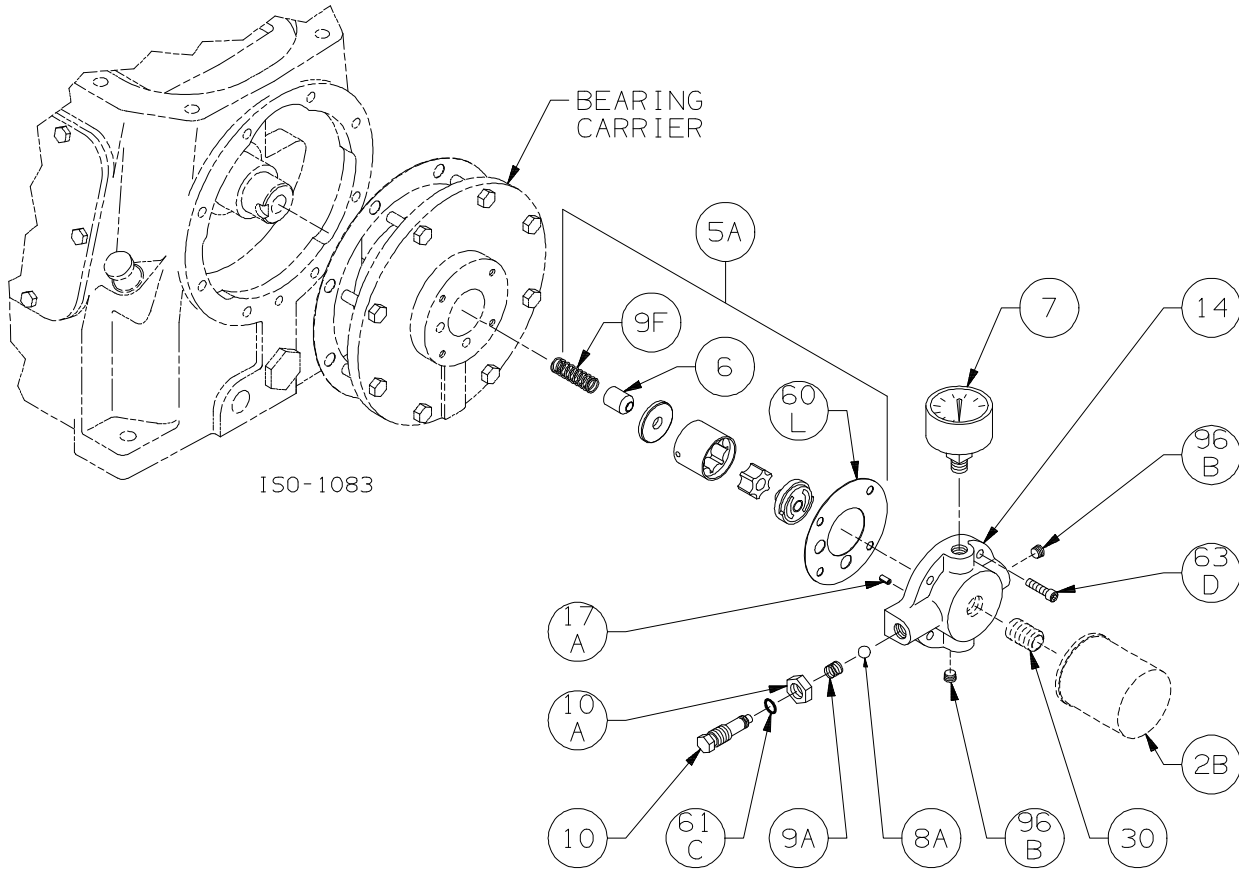
Crankcase Assembly: Model LB942A

ISO1056

Ref	Description	Qty	Part No
1	Crankcase Assembly - w/ Oil Filter	1	794758
1A	Crankcase	1	794709
2	Oil Intake Screen	1	792135
2B	Oil Filter	1	794726
2C	Breather Filter	1	794752
3	Oil Screen Plug	1	792145
5A	Oil Pump Kit	1	794760
7	Oil Pressure Gauge	1	790012
11	Oil Bayonet Assembly	1	792162
12A	Inspection Plate	1	794140
13A	Bearing Carrier	1	794714
15A	Bearing Cup (Outboard)	1	794131
15B	Bearing Cup (Inboard)	1	794731
16	Crankshaft Assembly (w/ 18A,18B,19,96B)	1	794708
18A	Bearing Cone (Outboard)	1	794130
18B	Bearing Cone (Inboard)	1	794730
19	Orifice	2	792146
20	Bearing Cover Plate	1	794716

Ref	Description	Qty	Part No
21	Oil Seal	1	794732
22A	Bearing Adjustment Shim Kit	1	794733
30	Oil Filter Fitting	1	794725
60A	Gasket - Oil Screen *	1	792136
60B	Gasket - Oil Screen Plug *	1	792123
60C	Gasket - Inspection Plate *	1	794122
60D	Gasket - Bearing Carrier Assembly *	1	794720
60L	Gasket - Oil Pump Cover *	1	794721
61A	O-Ring - Oil Screen *	1	792175
61D	O-Ring - Oil Bayonet *	1	792174
63C	Capscrew - Hex Hd	6	793116
63D	Capscrew - Soc Hd	4	790559
63E	Capscrew - Hex Hd	4	790484
63U	Capscrew - Hex Hd	8	792093
73A	Pipe Plug	1	790024
96A	Pipe Plug	1	790488
96B	Pipe Plug	2	790309

* Included in Gasket Sets



Oil Pump Detail:

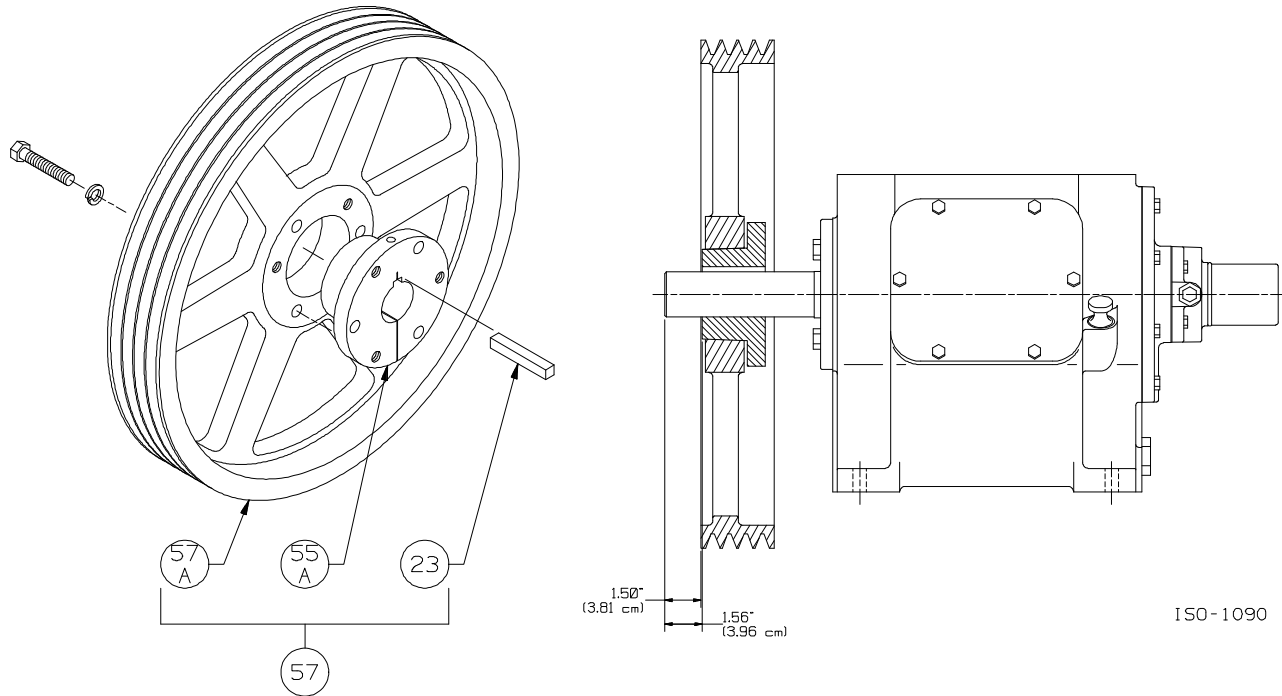
Models LB161B, LB162B, LB361B, LB362C, LB601B, LB602B, LB942A

ISO1083

Ref	Description	Qty	Part No
2B	Oil Filter	1	794726
5A	Oil Pump Kit (w/ 6, 9F, 60L)		794760
6	Oil Pump Cone	1	794750
7	Oil Pressure Gauge	1	790012
8A	Oil Pressure Adj. Ball	1	792154
9A	Oil Pressure Adj. Spring	1	792153
9F	Oil Pump Spring	1	794751
10	Oil Pressure Adj. Screw	1	792148
10A	Locknut	1	792152

Ref	Description	Qty	Part No
14	Oil Pump Cover Assembly (w\ 17A,96B)	1	794763
	Oil Pump Cover Assembly - For Filter (w\ 17A, 96B)		794764
17A	Roll Pin	1	794753
30	Oil Filter Fitting	1	794725
60L	Gasket - Oil Pump Cover *	1	794721
61C	O-Ring - Adjusting Screw *	1	792168
63D	Capscrew - Soc. Hd	4	790559
96B	Pipe Plug	2	790309

* Included in Gasket Sets

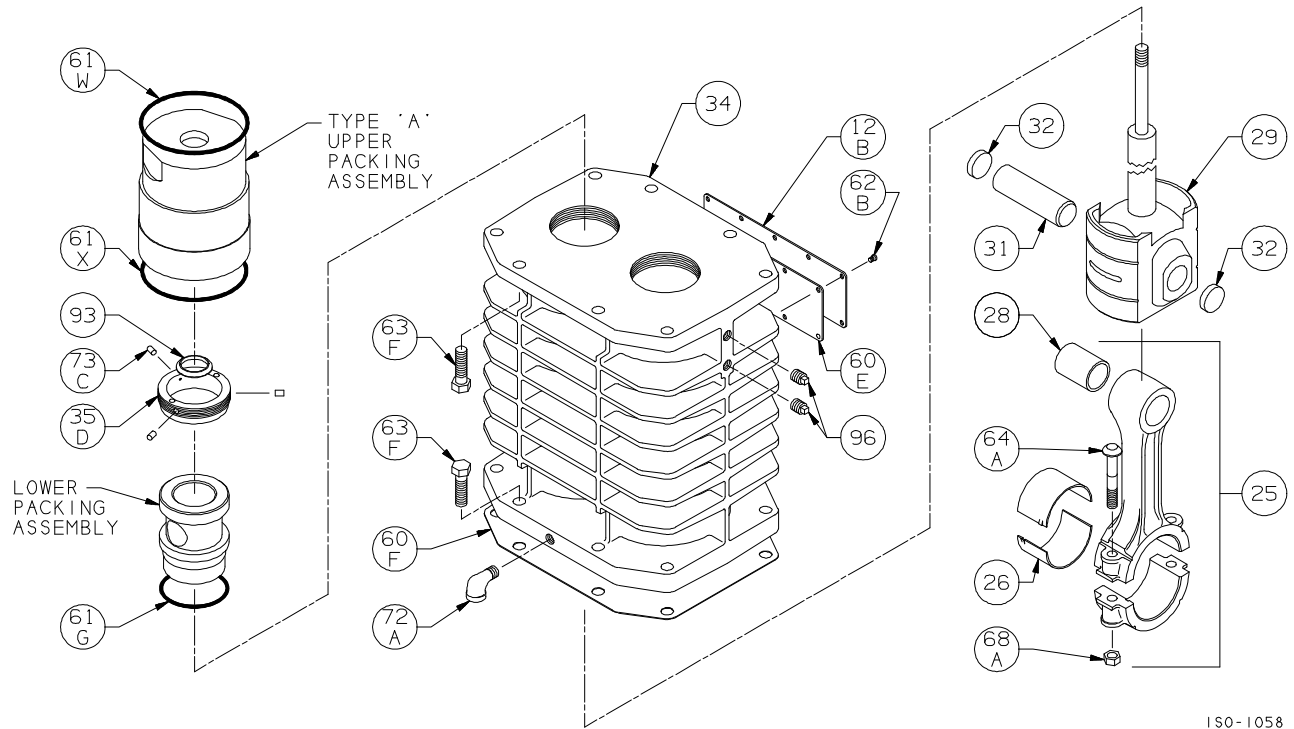


ISO-1090

Flywheel Assembly: LB942A

ISO1090

Ref	Description	Qty	Part No
23	Key	1	794267
55A	Hub	1	790505
57	Flywheel Assembly	1	794755
57A	Flywheel	1	790539



ISO-1058

Crosshead Assembly: LB942A

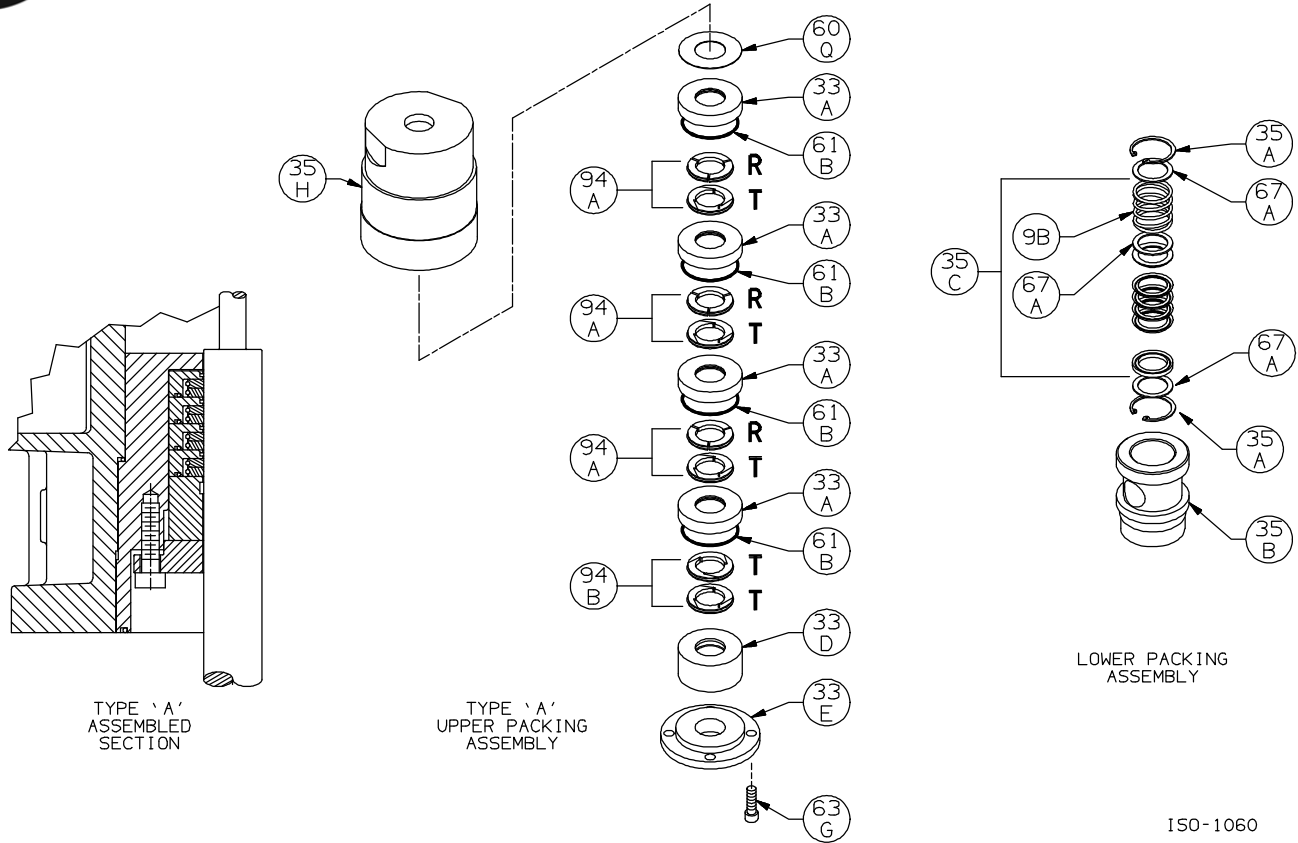
ISO1058

Ref	Description	Qty	Part No
12B	Inspection Plate	1	794093
25	Connecting Rod Assembly	2	794728
26	Connecting Rod Bearing	2	794710
28	Wrist Pin Bushing **	2	794749
29	Crosshead Assembly	2	794723
31	Wrist Pin	2	794727
32	Wrist Pin Plug	4	794724
34	Crosshead Guide	1	794430
35D	Hold-down Ring	2	794220
60E	Gasket - Inspection Plate *	1	794092
60F	Gasket - Crankcase *	1	794121
61G	O-Ring (Buna-N) Std *	2	794082

Ref	Description	Qty	Part No
61W	O-Ring (Buna-N) Std *	2	792315
61X	O-Ring (Buna-N) Std *	2	792252
62B	Machine Screw - Inspection Plate	10	793096
63F	Capscrew - Hex Hd	16	794094
64A	Connecting Rod Bolt	4	794012
68A	Connecting Rod Bolt Nut	4	794013
72A	Elbow - Vent	1	790453
73C	Lock Plug *	6	794028
93	Oil Deflector Ring	2	794478
96	Pipe Plug	4	793498

* Included in Gasket Sets

** Must be honed after installing.



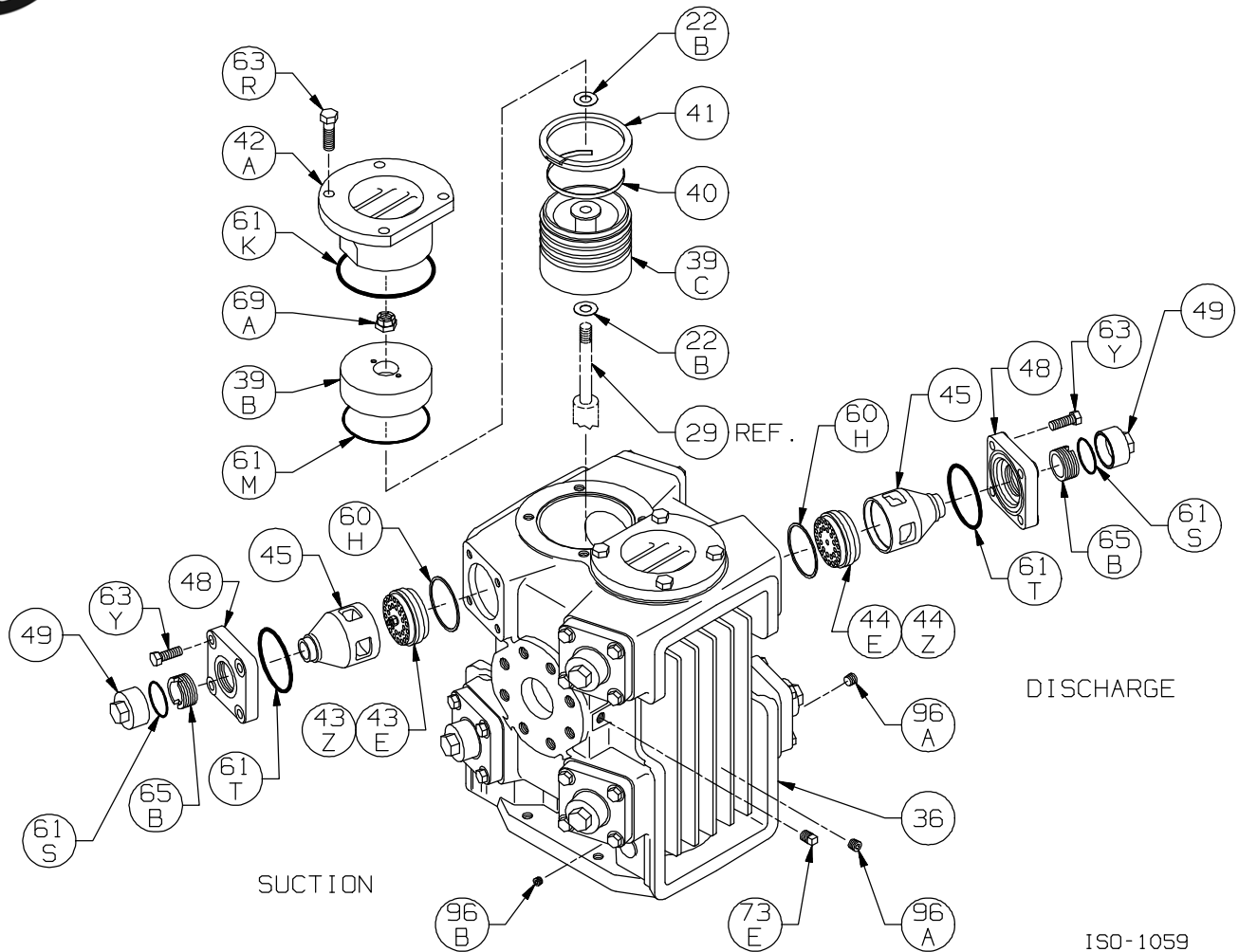
Packing Detail - Type 'A': LB942A

ISO1060

Ref	Description	Qty	Part No
9B	Packing Spring	2	794083
33A	Packing Cup	8	794741
33D	Packing Spacer	2	794745
33E	Packing Gland	2	794740
35A	Retainer Ring	4	794080
35B	Packing Box - Lower	2	794739
35C	Packing Set	2	794499

Ref	Description	Qty	Part No
35H	Packing Box - Upper	2	794738
60Q	Gasket - Packing Cup *	2	794754
61B	O-Ring (Buna-N) Std *	8	792260
63G	Capscrew - Socket Hd	8	790483
67A	Washer - Packing Box	6	794084
94A	Packing Ring - R/T	6	794746
94B	Packing Ring - T/T	2	794747

* Included in Gasket Sets



ISO - 1059

Cylinder Assembly LB942A

ISO1059

Ref	Description	Qty	Part No
22B	Piston Shim	0.007"	AR 794761
		0.015"	AR 794762
36	Cylinder	1	794704
39B	Piston Cap	2	794719
39C	Piston	2	794718
40	Expander	8	793614
41	Piston Ring - Std	8	793610
42A	Head	2	794702
43E	Suction Valve Assembly	4	793659
43Z	Valve Repair Kit - For 793659/793679		793660
44E	Discharge Valve Assembly	4	793679
44Z	Valve Repair Kit - For 793659/793679		793660
45	Cage	8	794620
48	Valve Cover Plate	8	794284
49	Valve Cap	8	792003

Ref	Description	Qty	Part No
60H	Gasket - Valve *	8	794198
61K	O-Ring (Buna-N) Std *	2	792315
61M	O-Ring (Buna-N) Std *	2	792060
61S	O-Ring (Buna-N) Std *	8	792306
61T	O-Ring (Buna-N) Std *	8	792112
63R	Capscrew - Hex Hd	8	794097
63Y	Capscrew - Hex Hd	32	793094
65B	Valve Holddown Screw	8	792002
69A	Piston Nut	2	790487
73E	Pipe Plug - 1/4	4	793498
96A	Pipe Plug - 1/4 Socket	4	790488
96B	Pipe Plug - 1/8 Socket	2	790309

AR As Required

* Included in Gasket Sets

Suggested Spare Parts for LB942A compressors:

Part #	Description	Qty./Unit	Comm. Qty.	Spare Qty.
794791	Gasket Set - Buna-N, Iron	1	1	1
793659 or 793660	Suction Valve or Suction Valve Repair Kit	4		4
793679 or 793660	Discharge Valve or Discharge Valve Repair Kit	4		4
793610	Piston Ring	8	8	8
793614	Piston Ring Expander	8		8
794746	Upper Packing Ring - R/T	6	6	6
794747	Upper Packing Ring - T/T	2	2	2
794499	Lower Packing Set	2	2	2
794726	Oil Filter	1	1	6
794727	Wrist Pin	2		2
794749	Wrist Pin Bushing	2	2	2
794710	Conrod Bearing	2	2	2
The following parts would normally be required only for major compressor overhaul.				
794730	Inboard Bearing Cone	1		1
794731	Inboard Bearing Cup	1		1
794130	Outboard Bearing Cone	1		1
794131	Outboard Bearing Cup	1		1
794723	Crosshead Assembly	2		1
794728	Conrod Assembly	2		1
794760	Oil Pump Repair Kit	1		
794708	Crankshaft Assembly	1		
794733	Bearing Adjustment Shim Kit	1		
794704	Cylinder	1		