

Suggested Spare Parts for LB602 and LB602A compressors:

| Part # | Description | Qty./ Unit | Comm. Qty. | Spare Qty. |
|--|--------------------------------------|------------|------------|------------|
| 794598 | LB602A Gasket Set - Buna-N, Aluminum | 1 | 1 | 1 |
| 794599 | LB602 Gasket Set - Buna-N, Aluminum | | | |
| 794259 | Suction Valve Sub-Assembly | 2 | | 2 |
| 794279 | Discharge Valve | 2 | | 2 |
| 794024 | Piston Ring | 6 | 6 | 6 |
| 794025 | Piston Ring Expander | 6 | 6 | 6 |
| 794499 | Packing Set | 4 | 4 | 4 |
| 790004 | Oil Filter (Package of 6) * | 1 | | 1 |
| 794004 | Wrist Pin | 2 | | 2 |
| 793003 | Wrist Pin Bushing | 2 | 2 | 2 |
| 794002 | Conrod Bearing | 2 | 2 | 2 |
| The following parts would normally be required only for major compressor overhaul. | | | | |
| 794130 | Inboard Bearing Cone | 1 | | 1 |
| 794131 | Inboard Bearing Cup | 1 | | 1 |
| 793142 | Outboard Bearing Cone | 1 | | 1 |
| 793126 | Outboard Bearing Cup | 1 | | 1 |
| 794429 | Crosshead Assembly | 2 | | 1 |
| 794009 | Conrod Assembly | 2 | | 1 |
| 798856 | Oil Pump Repair Kit | 1 | | |
| 794159 | Crankshaft Assembly | 1 | | |
| 794033 | Bearing Adjustment Shim Kit | 1 | | |
| 794103 | LB602A Cylinder | 1 | | |
| 794401 | LB602 Cylinder | | | |

* Optional Equipment on New Compressors

LB602 and LB602A PARTS LIST

Serial # _____

ID# _____

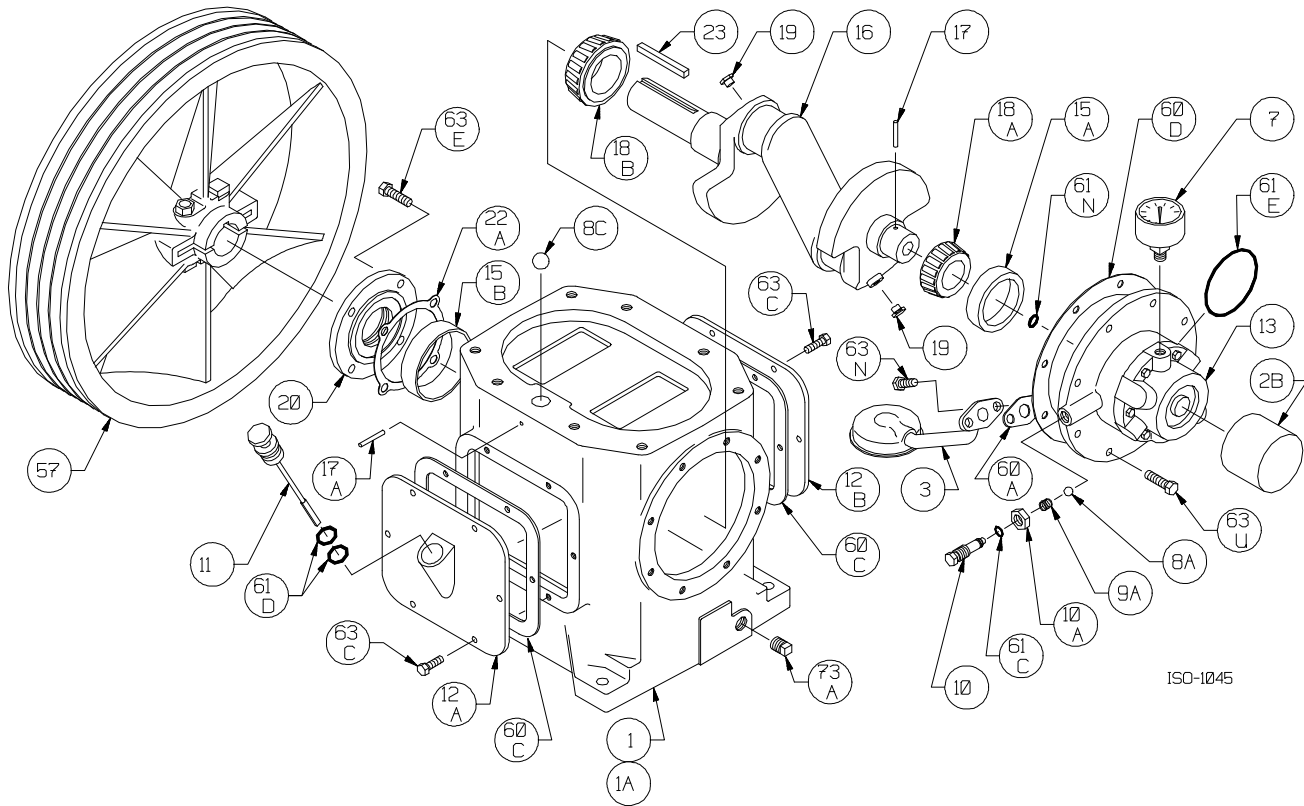
Gasket Set and Special Tools

| | | |
|---------------------------------|--------|--------|
| Gasket Set (Buna-N & Aluminum) | LB602 | 794599 |
| | LB602A | 794598 |
| Packing Installation Tool | | 790538 |
| Spanner Wrench, 1/4" Adjustable | | 790316 |
| Wrench for Valve Holdown Screw | | 790535 |
| Tool Kit | | 790199 |

Bulletins Needed For Complete Parts List

| | LB602 | LB602A |
|-----------|--------|--------|
| This page | 5E-060 | 5E-060 |
| Crankcase | 5F-030 | 5F-030 |
| Oil Pump | 5G-010 | 5G-010 |
| Crosshead | 5J-002 | 5J-060 |
| Cylinder | 5L-002 | 5L-041 |
| Head | 5M-002 | 5M-030 |

Notes:



ISO-1045

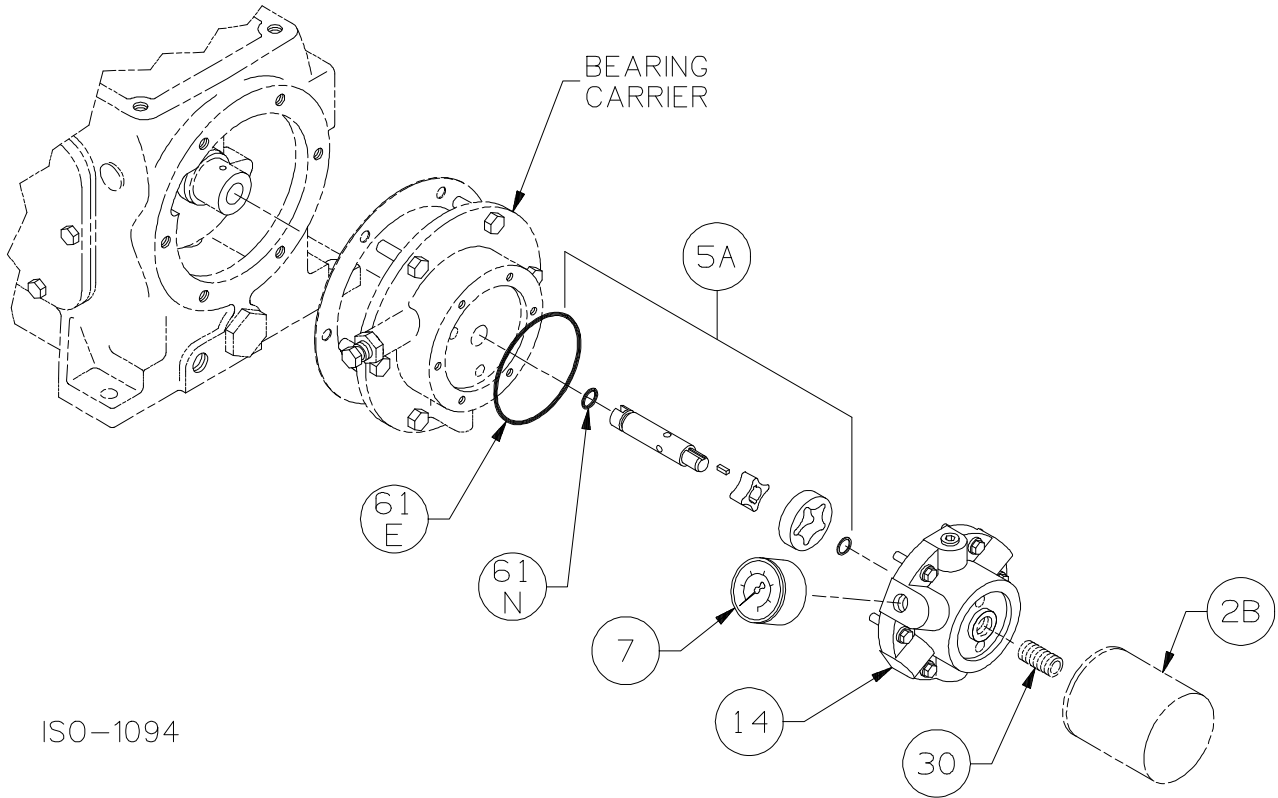
Crankcase Assembly: Models LB601, LB601A, LB602, LB602A

ISO1045

| Ref | Description | Qty | Part No |
|-----|---|-----|------------------|
| 1 | Crankcase Assembly (less flywheel) | 1 | 794119 |
| 1A | Crankcase | 1 | 794138 |
| 2B | Oil Filter (Package of 6) | 1 | 790004 |
| 3 | Oil Strainer Assembly | 1 | 794169 |
| 7 | Oil Pressure Gauge | 1 | 790012 |
| 8A | Oil Pressure Adjusting Ball | 1 | 792154 |
| 8C | Breather Ball | 1 | 794156 |
| 9A | Oil Pressure Adjusting Spring | 1 | 792153 |
| 10 | Oil Pressure Adjusting Screw | 1 | 792148 |
| 10A | Locknut | 1 | 792152 |
| 11 | Oil Bayonet Assembly | 1 | 794199 |
| 12A | Inspection Plate - Bayonet | 1 | 794141 |
| 12B | Inspection Plate - Plain | 1 | 794140 |
| 13 | Bearing Carrier Assembly Bearing Carrier Assy. with Oil Filter | 1 | 794219 794223 |
| 15A | Bearing Cup (Outboard) | 1 | 793126 |
| 15B | Bearing Cup (Inboard) | 1 | 794131 |
| 16 | Crankshaft Assembly (w\ 18A,18B & 19) | 1 | 794159 |
| 17 | Oil Pump Drive Pin | 1 | 794146 |
| 18A | Bearing Cone (Outboard) | 1 | 793142 |

| Ref | Description | Qty | Part No |
|-----|----------------------------------|-----|---------|
| 18B | Bearing Cone (Inboard) | 1 | 794130 |
| 19 | Orifice | 2 | 792146 |
| 20 | Bearing Cover Plate | 1 | 794137 |
| 22A | Bearing Adjustment Shim Kit | 1 | 794033 |
| 23 | Key | 1 | 794166 |
| 57 | Flywheel Assembly | 1 | 794128 |
| 60A | Gasket - Oil Strainer Assembly * | 1 | 794123 |
| 60C | Gasket - Inspection Plate * | 2 | 794122 |
| 60D | Gasket - Bearing Carrier Assy. * | 1 | 794124 |
| 61C | O-Ring - Adjusting Screw * | 1 | 792168 |
| 61D | O-Ring - Oil Bayonet * | 2 | 794163 |
| 61E | O-Ring - Oil Pump Cover * | 1 | 792186 |
| 61N | O-Ring - Oil Pump Shaft * | 1 | 792174 |
| 63C | Capscrew - Hex Hd | 12 | 793116 |
| 63E | Capscrew - Hex Hd | 4 | 793158 |
| 63N | Capscrew - Hex Hd | 2 | 792093 |
| 63U | Capscrew - Hex Hd | 8 | 792093 |
| 73A | Pipe Plug | 1 | 790024 |

* Included in Gasket Sets



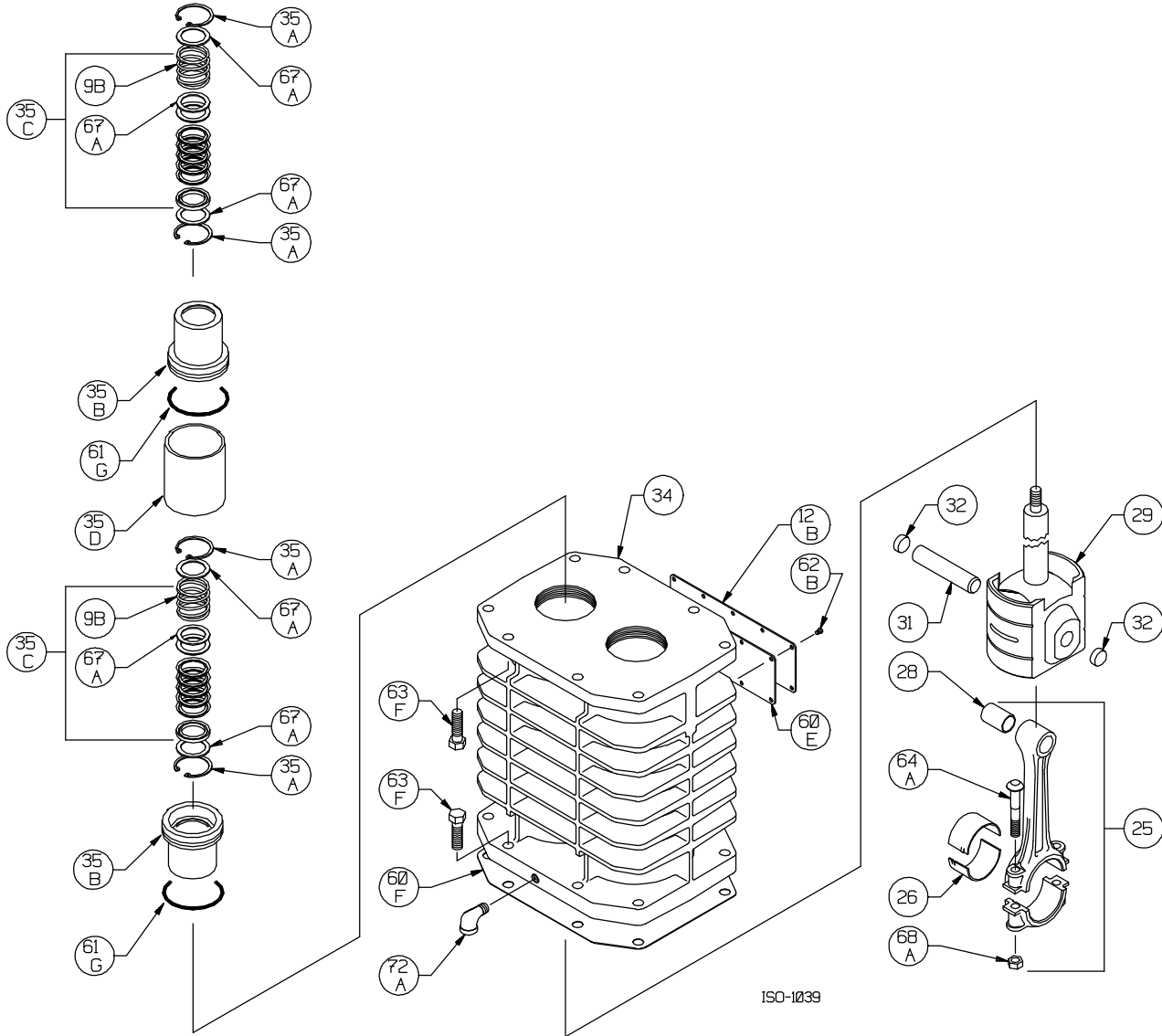
ISO-1094

Oil Pump Detail: Models LB161, LB162,
LB361, LB361A, LB362, LB362A, LB362B
LB601, LB601A, LB602, LB602A

S1094

| Ref | Description | Qty | Part No |
|-----|--|-----|---------|
| 2B | Oil Filter (Package of 6) | 1 | 790004 |
| 5A | Oil Pump Kit (w/ 61E, 61N) LB161, LB162, LB361, LB361A, LB362, LB362A, LB362B LB601, LB601A, LB602, LB602A | 1 | 798855 |
| | | 1 | 798856 |
| 7 | Oil Pressure Gauge | 1 | 790012 |
| 14 | Oil Pump Cover | 1 | 792181 |
| | Oil Pump Cover - For Filter | | 790001 |
| 30 | Oil Filter Fitting | 1 | 790002 |
| 61E | O-Ring - Oil Pump Cover * | 1 | 792186 |
| 61N | O-Ring - Oil Pump Shaft * | 1 | 792174 |

* Included in Gasket Sets



Crosshead Assembly: LB602

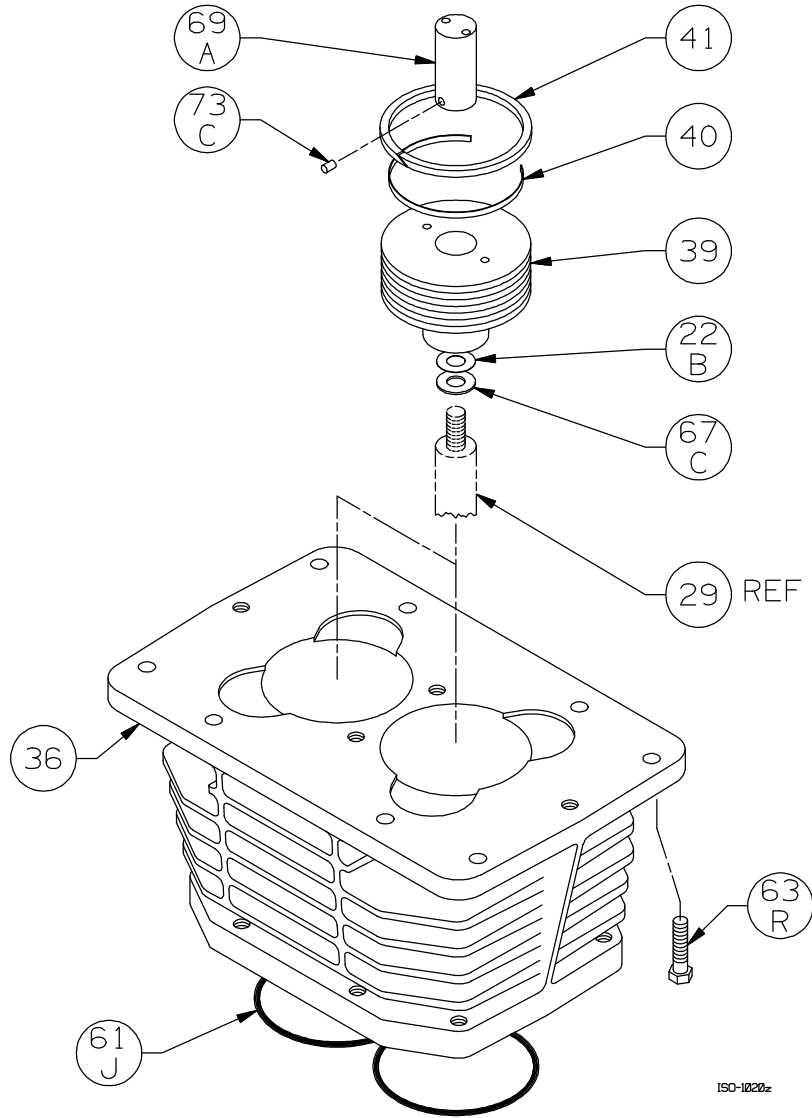
| Ref | Description | Qty | Part No |
|-----|-------------------------|-----|---------|
| 9B | Packing Spring | 4 | 794083 |
| 12B | Inspection Plate | 1 | 794093 |
| 25 | Connecting Rod Assembly | 2 | 794009 |
| 26 | Connecting Rod Bearing | 2 | 794002 |
| 28 | Wrist Pin Bushing ** | 2 | 793003 |
| 29 | Crosshead Assembly | 2 | 794429 |
| 31 | Wrist Pin | 2 | 794004 |
| 32 | Wrist Pin Plug | 4 | 792178 |
| 34 | Crosshead Guide | 1 | 794491 |
| 35A | Retainer Ring | 8 | 794080 |
| 35B | Packing Box | 4 | 794481 |
| 35C | Packing Set | 4 | 794499 |

ISO1039z

| Ref | Description | Qty | Part No |
|-----|----------------------------------|-----|---------|
| 35D | Packing Box Spacer | 2 | 794480 |
| 60E | Gasket - Inspection Plate * | 1 | 794092 |
| 60F | Gasket - Crankcase * | 1 | 794121 |
| 61G | O-Ring * | 2 | 794482 |
| 62B | Machine Screw - Inspection Plate | 10 | 793096 |
| 63F | Capscrew - Hex Hd | 16 | 794094 |
| 64A | Connecting Rod Bolt | 4 | 794012 |
| 67A | Washer - Packing Box | 12 | 794084 |
| 68A | Connecting Rod Bolt Nut | 4 | 794013 |
| 72A | Elbow - Vent | 1 | 790453 |

*Included in Gasket Sets

** Must be honed after installing



ISO1020z

Cylinder Assembly: LB601

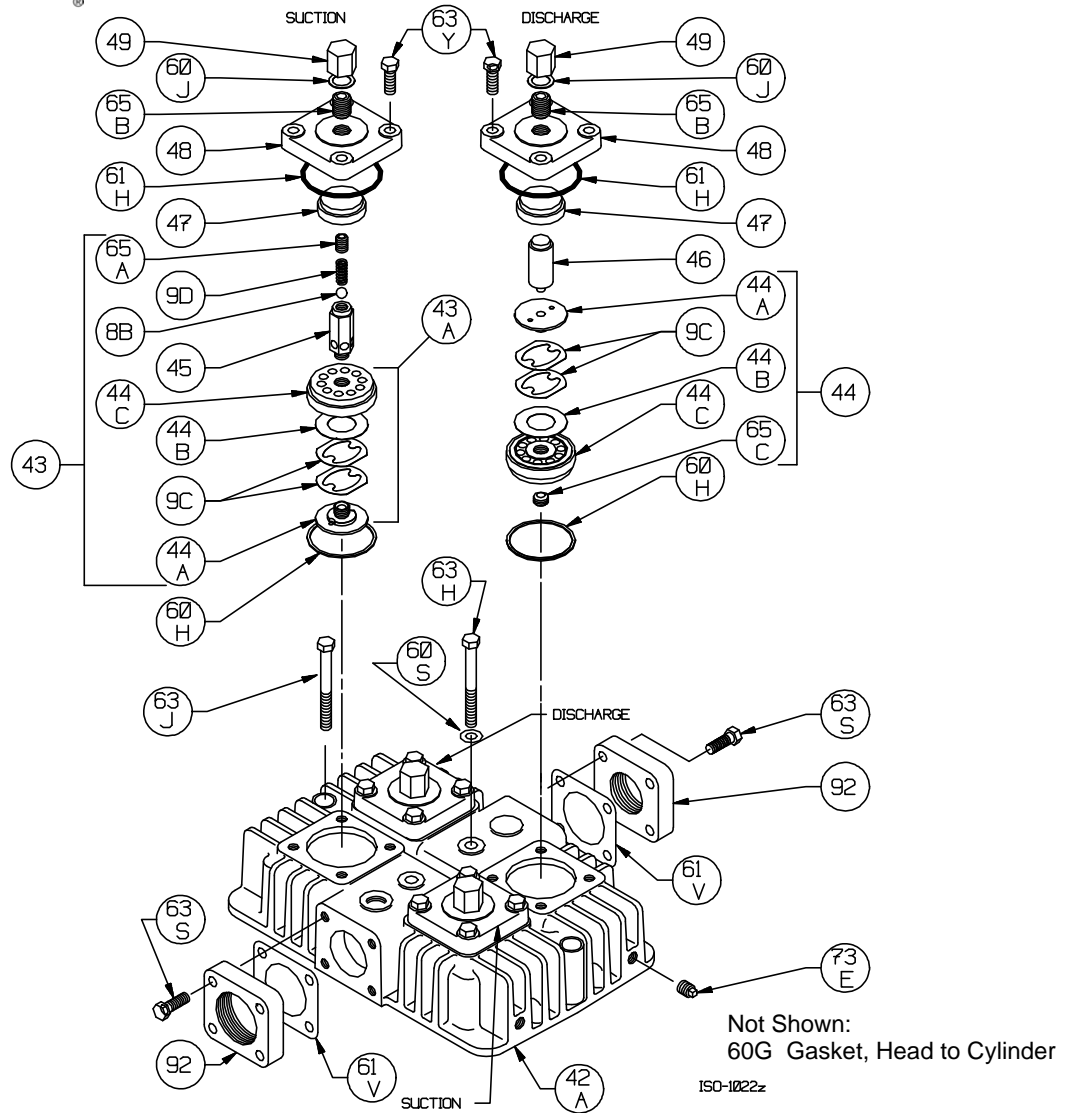
| Ref | Description | Qty | Part No |
|-----|-------------------|-----|---------|
| 22B | Piston Shim | AR | 792034 |
| 36 | Cylinder | 1 | 794101 |
| 39 | Piston | 2 | 794021 |
| 40 | Expander | 6 | 794025 |
| 41 | Piston Ring | 6 | 794024 |
| 61J | O-Ring * | 2 | 794126 |
| 63R | Capscrew - Hex Hd | 8 | 794096 |
| 67C | Thrust Washer | 2 | 792033 |
| 69A | Piston Nut | 2 | 794022 |
| 73C | Lock Plug * | 4 | 794028 |

* Included in Gasket Sets

Cylinder Assembly LB602

| Ref | Description | Qty | Part No |
|-----|-------------------|-----|---------|
| 22B | Piston Shim | AR | 794434 |
| 36 | Cylinder | 1 | 794401 |
| 39 | Piston | 2 | 794421 |
| 40 | Expander | 6 | 794025 |
| 41 | Piston Ring | 6 | 794024 |
| 61J | O-Ring * | 2 | 794426 |
| 63R | Capscrew - Hex Hd | 8 | 794096 |
| 67C | Thrust Washer | 2 | 794433 |
| 69A | Piston Nut | 2 | 794422 |
| 73C | Lock Plug * | 4 | 794222 |

* Included in Gasket Sets



Head Assembly: LB601, LB602

ISO1022z

| Ref | Description | Qty | Part No |
|-----|----------------------------|-----|---------|
| 8B | Liquid Relief Valve Ball | 2 | 792042 |
| 9C | Valve Spring | 8 | 794038 |
| 9D | Liquid Relief Valve Spring | 2 | 792045 |
| 42A | Head | 1 | 794111 |
| 43 | Suction Valve Assembly | 2 | 794269 |
| 43A | Valve Sub-Assembly | — | 794259 |
| 44 | Discharge Valve Assembly | 2 | 794279 |
| 44A | Valve Bumper | 4 | 794235 |
| 44B | Valve Disc | 4 | 794037 |
| 44C | Valve Body | 4 | 794236 |
| 45 | Liquid Relief Valve Body | 2 | 794046 |
| 46 | Post | 2 | 794034 |
| 47 | Valve Spacer | 4 | 793061 |
| 48 | Valve Cover Plate | 4 | 794071 |
| 49 | Valve Cap | 4 | 793072 |
| 60G | Gasket, Head to Cylinder * | 1 | 794112 |

| Ref | Description | Qty | Part No |
|-----|--------------------------------|-----|---------|
| 60H | Gasket - Valve * | 4 | 794107 |
| 60J | Gasket - Valve Cap * | 4 | 793108 |
| 60S | Gasket, Center Head Capscrew * | 2 | 794113 |
| 61H | O-Ring * | 4 | 792112 |
| 61V | Gasket, Flange * | 2 | 794127 |
| 63H | Capscrew - Hex Hd | 2 | 794115 |
| 63J | Capscrew - Hex Hd | 2 | 793115 |
| 63S | Capscrew - Hex Hd | 8 | 793094 |
| 63Y | Capscrew - Hex Hd | 16 | 793094 |
| 65A | Liquid Relief Valve Screw | 2 | 794014 |
| 65B | Valve Holddown Screw | 4 | 794068 |
| 65C | Screw | 2 | 794042 |
| 73E | Pipe Plug | 2 | 793498 |
| 92 | Flange-Inlet (2 NPT) Std | 1 | 794117 |
| | Flange-Outlet (1.5 NPT) Std | 1 | 794116 |
| | Flange (1.25 NPT) | | 794118 |

* Included in Gasket Sets