

HDL603B PARTS LIST

Discontinued Model – parts availability may be limited.

Serial # _____

ID# _____

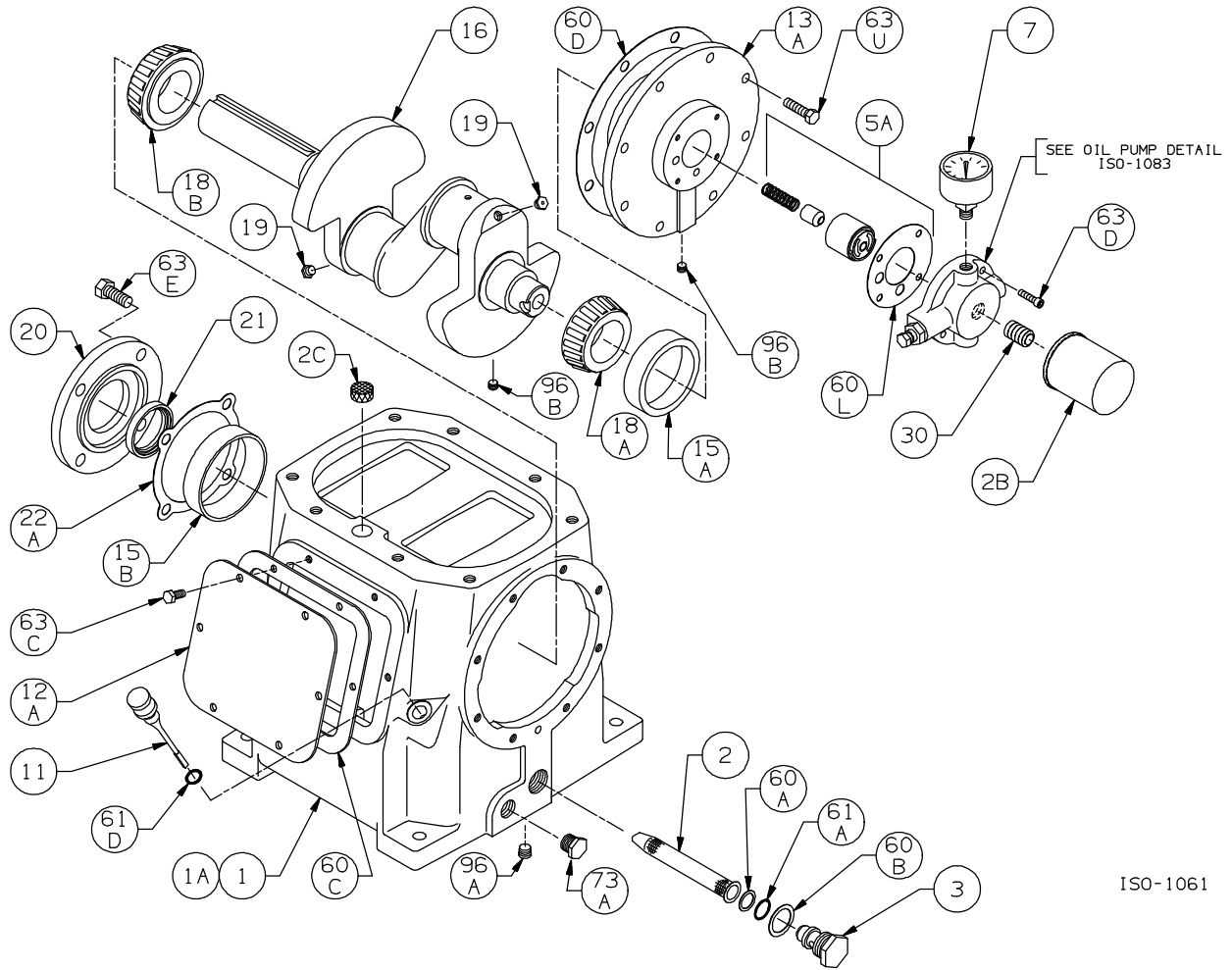
Gasket Sets and Special Tools

Gasket Set	Buna-N & Iron	794594
	FKM & Iron	794592
	PTFE & Iron	794593
	Neoprene & Iron	794590
	Ethylene Propylene & Iron	794589
Packing Installation Tool		790538
Spanner Wrench, 1/4" Adjustable		790316
Wrench for Valve Holdown Screw		790535
Tool Kit		790199

Bulletins Needed For Complete Parts List

This page	9E-180
Crankcase	9F-031
Oil Pump	9G-011
Flywheel	9H-030
Crosshead	9J-101
Packing	9K-041
Cylinder	9L-080
Head	9M-130
Head with Unloaders	9M-140

Notes:



ISO-1061

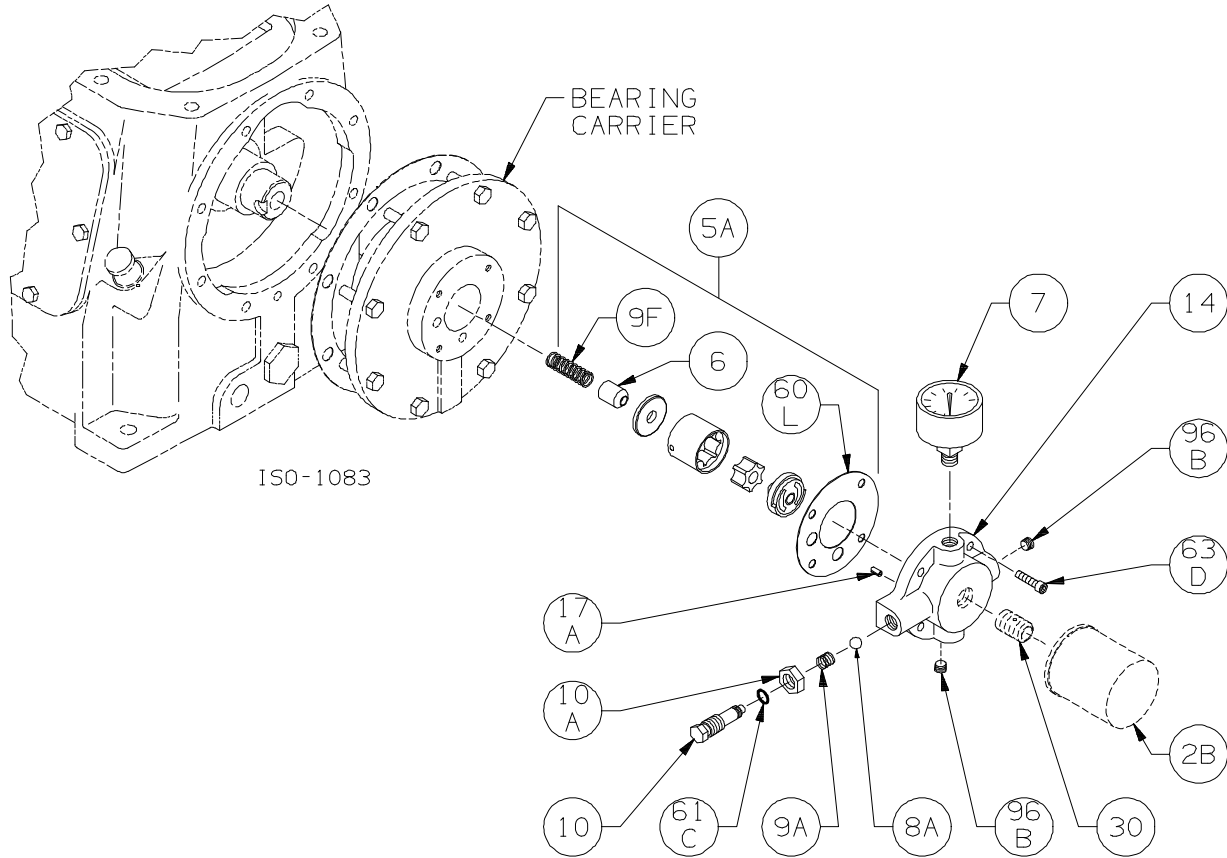
Crankcase Assembly:
 Models HD601B, HD602B, HD603B, HDL602B, HDL603B, HDL642B, HDL643B,
 HD612B, HD613B, HDL612B, HDL613B

ISO1061

Ref	Description	Qty	Part No
1	Crankcase Assembly - w\ Oil Filter (std.)	1	794758
	Crankcase Assembly		794759
1A	Crankcase	1	794709
2	Oil Intake Screen	1	792135
2B	Oil Filter	1	794726
2C	Breather Filter	1	794752
3	Oil Screen Plug	1	792145
5A	Oil Pump Kit	1	794760
7	Oil Pressure Gauge	1	790012
11	Oil Bayonet Assembly	1	792162
12A	Inspection Plate	1	794140
13A	Bearing Carrier	1	794714
15A	Bearing Cup (Outboard)	1	794131
15B	Bearing Cup (Inboard)	1	794731
16	Crankshaft Assembly (w\ 18A,18B,19,96B)	1	794708
18A	Bearing Cone (Outboard)	1	794130
18B	Bearing Cone (Inboard)	1	794730
19	Orifice	2	792146

Ref	Description	Qty	Part No
20	Bearing Cover Plate	1	794716
21	Oil Seal	1	794732
22A	Bearing Adjustment Shim Kit	1	794733
30	Oil Filter Fitting	1	794725
60A	Gasket - Oil Screen *	1	792136
60B	Gasket - Oil Screen Plug *	1	792123
60C	Gasket - Inspection Plate *	1	794122
60D	Gasket - Bearing Carrier Assembly *	1	794720
60L	Gasket - Oil Pump Cover *	1	794721
61A	O-Ring - Oil Screen *	1	792175
61D	O-Ring - Oil Bayonet *	1	792174
63C	Capscrew - Hex Hd	6	793116
63D	Capscrew - Soc Hd	4	790559
63E	Capscrew - Hex Hd	4	790484
63U	Capscrew - Hex Hd	8	792093
73A	Pipe Plug	1	790024
96A	Pipe Plug	1	790488
96B	Pipe Plug	2	790309

* Included in Gasket Sets



Oil Pump Detail for Models:

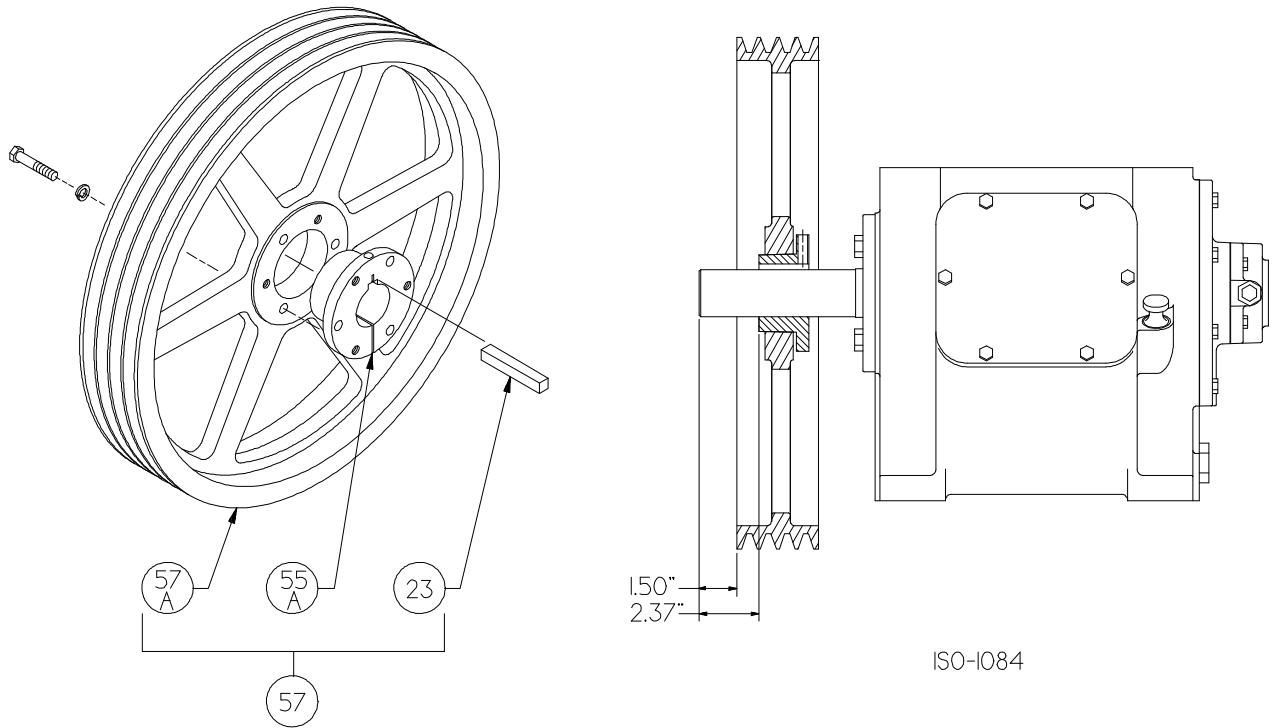
HD161C, HD161B, HD162C, HD162B, HD163C, HD163B,
 HD172C, HD172B, HD173C, HD173B,
 HDL342B, HDL343B, HDL342C, HDL343C,
 HD361C, HD361B, HD362C, HD362B, HD363C, HD363B
 HDL362B, HDL363B, HDL362C, HDL363C,
 HD372C, HD372B, HDL372C, HDL372B, HD373C, HD373B, HDL373C, HDL373B,
 HD601B, HD602B, HD603B, HDL601B, HDL602B, HDL603B, HDL641B, HDL642B, HDL643B,
 HD612B, HDL612B, HD613B, HDL613B,
 HD942A and HDL942A

ISO1083

Ref	Description	Qty	Part No
2B	Oil Filter	1	794726
5A	Oil Pump Kit (w/ 6, 9F, 60L)		794760
6	Oil Pump Cone	1	794750
7	Oil Pressure Gauge	1	790012
8A	Oil Pressure Adj. Ball	1	792154
9A	Oil Pressure Adj. Spring	1	792153
9F	Oil Pump Spring	1	794751
10	Oil Pressure Adj. Screw	1	792148
10A	Locknut	1	792152

Ref	Description	Qty	Part No
14	Oil Pump Cover Assembly - For Filter	1	794764
	Oil Pump Cover Assembly - w/ 17A, 96B		794763
17A	Roll Pin	1	794753
30	Oil Filter Fitting	1	794725
60L	Gasket - Oil Pump Cover *	1	794721
61C	O-Ring - Adjusting Screw *	1	792168
63D	Capscrew - Soc. Hd	4	790559
96B	Pipe Plug	2	790309

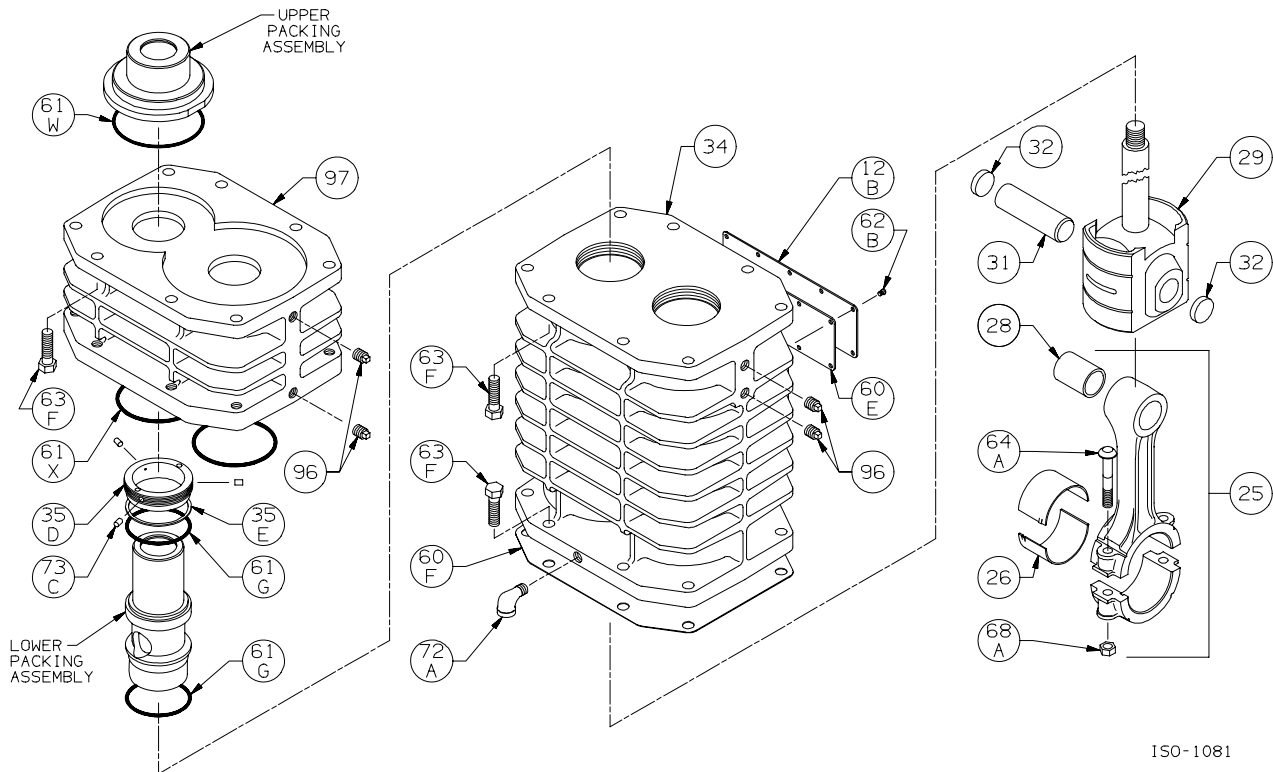
* Included in Gasket Sets



Standard Flywheel Assembly:
 HD601B, HD602B, HD603B
 HDL602B, HDL603B
 HDL642B, HDL643B

ISO1084

Ref	Description	Qty	Part No
23	Key	1	794267
55A	Hub	1	790149
57	Flywheel Assembly	1	794132
57A	Flywheel	1	790545



ISO-1081

Crosshead Assembly: HD603B, HDL603B, HDL643B

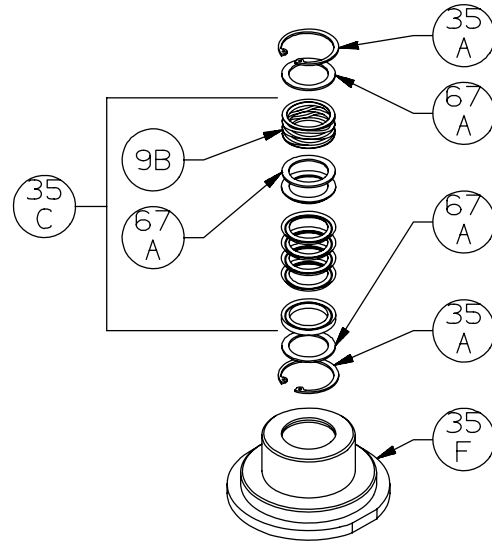
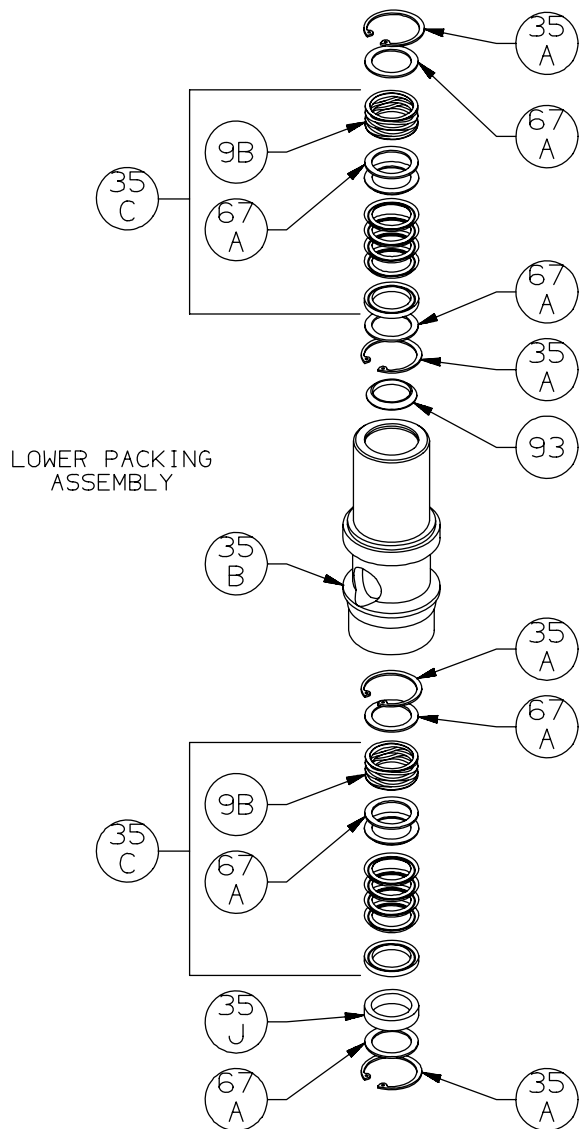
ISO1081

Ref	Description	Qty	Part No
12B	Inspection Plate	1	794093
25	Connecting Rod Assembly	2	794728
26	Connecting Rod Bearing	2	794710
28	Wrist Pin Bushing **	2	794749
29	Crosshead Assembly	2	794435
31	Wrist Pin	2	794727
32	Wrist Pin Plug	4	794724
34	Crosshead Guide	1	794430
35D	Hold-down Ring	2	794220
35E	Spacer Ring	2	794403
60E	Gasket - Inspection Plate *	1	794092
60F	Gasket - Crankcase *	1	794121
61G	O-Ring (Buna-N) *	4	794082
	O-Ring (FKM) *		794213
	O-Ring (PTFE) *		794208
	O-Ring (Neoprene) *		794090
	O-Ring (Ethylene Propylene) *		794206
61W	HD603B, HDL603B only		
	O-Ring (Buna-N) *	2	793177
	O-Ring (FKM) *		793212
	O-Ring (PTFE) *		793210
	O-Ring (Neoprene) *		793216
	O-Ring (Ethylene Propylene) *		793206

Ref	Description	Qty	Part No
61W	HDL643B only		
	O-Ring (Buna-N) *	2	794082
	O-Ring (FKM) *		794213
	O-Ring (PTFE) *		794208
	O-Ring (Neoprene) *		794090
	O-Ring (Ethylene Propylene) *		794206
61X	O-Ring (Buna-N) *	2	794426
	O-Ring (FKM) *		794425
	O-Ring (PTFE) *		794427
	O-Ring (Neoprene) *		794424
	O-Ring (Ethylene Propylene) *		794428
62B	Machine Screw - Inspection Plate	10	793096
63F	Capscrew - Hex Hd	24	794094
64A	Connecting Rod Bolt	4	794012
68A	Connecting Rod Bolt Nut	4	794013
72A	Elbow - Vent	1	790453
73C	Lock Plug *	6	794028
96	Pipe Plug	8	793498
97	Distance Piece	1	794410

*Included in Gasket Sets

** Must be honed after installing



ISO-1104

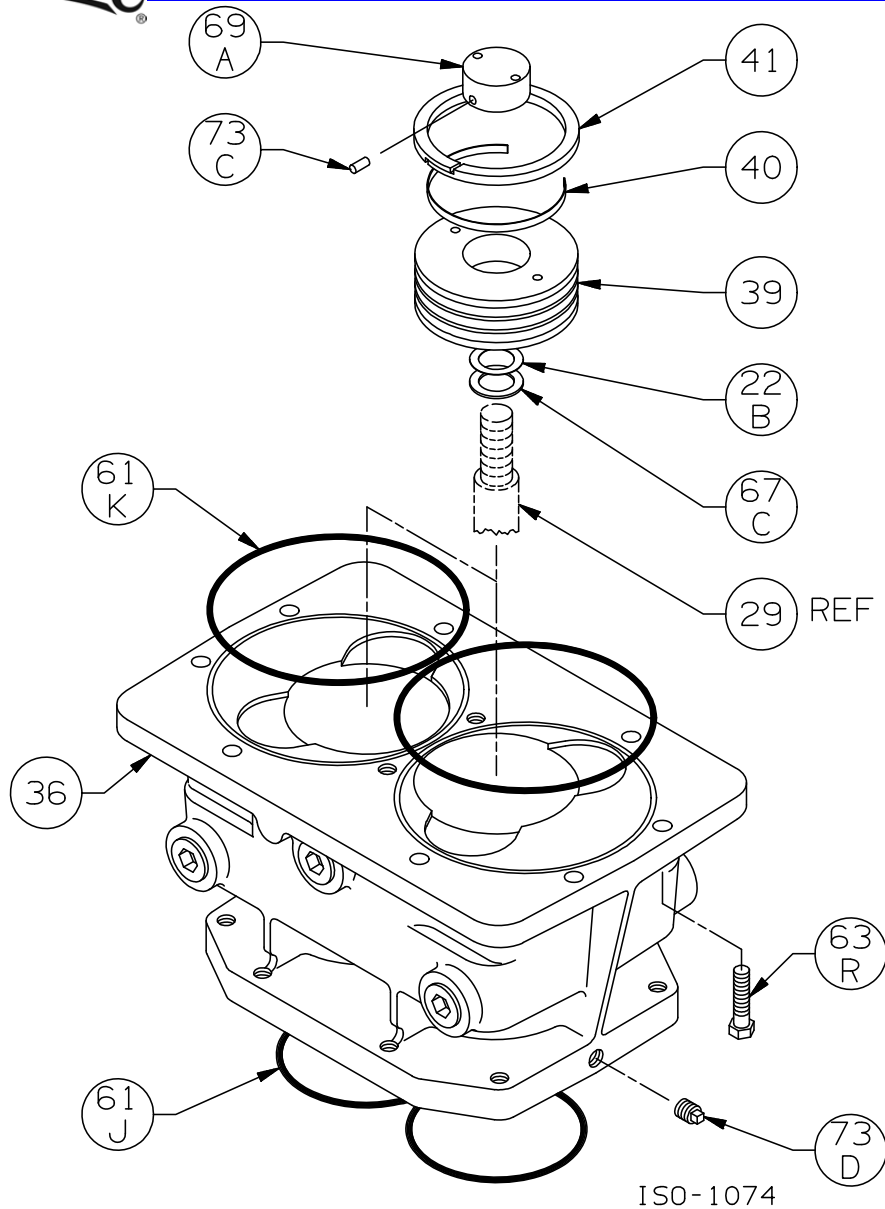
Packing Assembly: HD603B, HDL603B

Ref	Description	Qty	Part No
9B	Packing Spring	6	794041
35A	Retainer Ring	12	794080
35B	Packing Box - Lower	2	794452
35C	Packing Set	6	794498
35F	Packing Box - Upper	2	794404
	Packing Box - Upper TNT-12		792886
35J	Packing Bushing	2	794043
67A	Washer - Packing Box	18	794084
93	Oil Deflector Ring	2	794478

Packing Assembly: HDL643B

ISO1104

Ref	Description	Qty	Part No
9B	Packing Spring	6	794041
35A	Retainer Ring	12	794080
35B	Packing Box - Lower	2	794452
35C	Packing Set	6	794498
35F	Packing Box - Upper	2	794413
	Packing Box - Upper TNT-12		792843
35J	Packing Bushing	2	794043
67A	Washer - Packing Box	18	794084
93	Oil Deflector Ring	2	794478



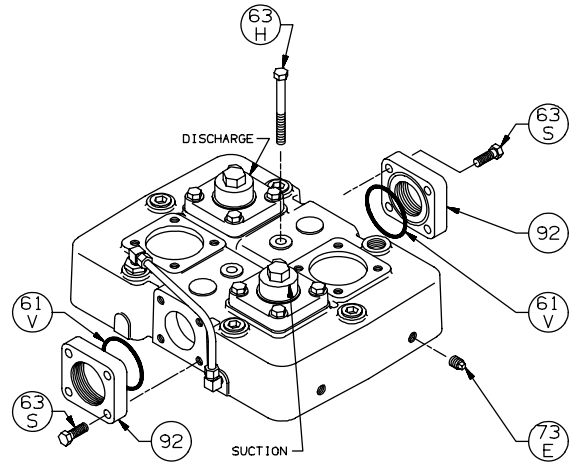
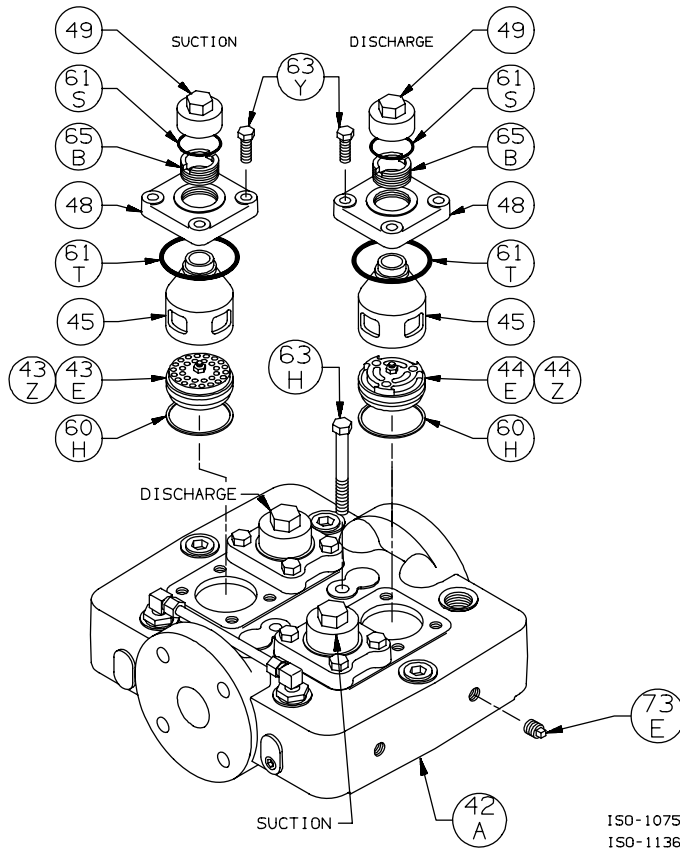
Cylinder Assembly: HDL602C|B, HDL603C|B

ISO1074

Ref	Description	Qty	Part No
22B	Piston Shim - 0.015	AR	794434
	Piston Shim - 0.007	AR	794436
36	Cylinder	1	794503
	Cylinder TNT-12		792876
39	Piston	2	794431
	Piston TNT-12		792833
40	Expander	6	793614
41	Piston Ring – Glass/Moly Filled, Std	6	793610
	Piston Ring - Poly Filled		793612
61J	O-Ring (Buna N) Std *	2	794126
	O-Ring (FKM) *		794214
	O-Ring (PTFE) *		794125
	O-Ring (Neoprene) *		794142
	O-Ring (Ethylene Propylene) *		794210

Ref	Description	Qty	Part No
61K	O-Ring (Buna N) Std *	2	794104
	O-Ring (FKM) *		794106
	O-Ring (PTFE) *		794105
	O-Ring (Neoprene) *		794108
	O-Ring (Ethylene Propylene) *		794110
63R	Capscrew - Hex Hd	8	794097
67C	Thrust Washer	2	794433
69A	Piston Nut	2	794422
	Piston Nut TNT-12		792834
73C	Lock Plug *	4	794222
73D	Pipe Plug	1	793498

* Included in Gasket Sets



Head style used on units built prior to Jan. 1998. Replaced by the ANSI flanged head shown at left.

ISO-1075
ISO-1136

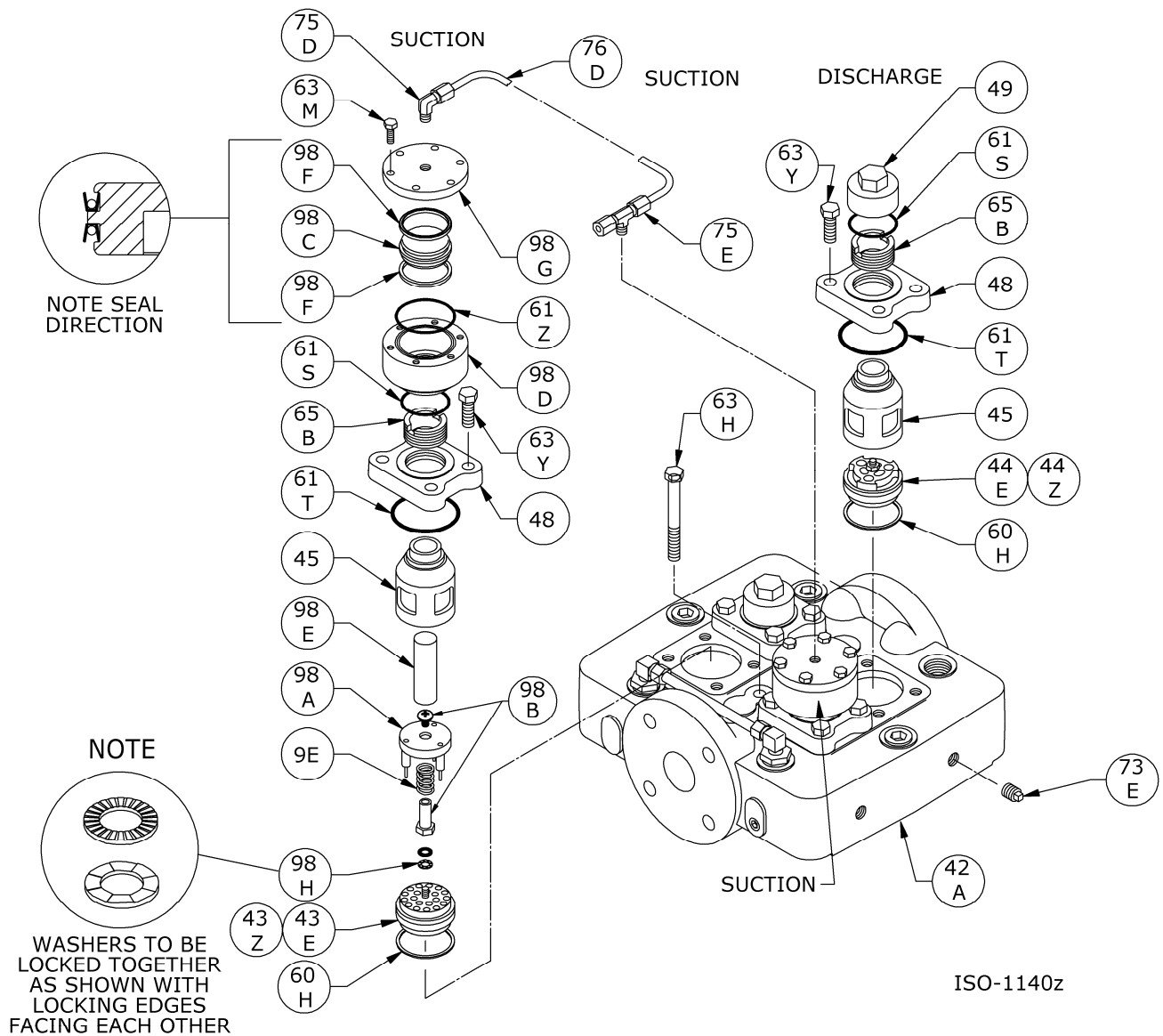
Head Assembly: HDL602C|B, HDL603C|B

Ref	Description	Qty	Part No
42A	Head Head TNT-12	1	794504 792877
43E	Suction Valve Assembly Suction Valve Assembly TNT-12 Suction Valve Assembly, Stainless Steel	2	793659 792872 793629
43Z	Valve Repair Kit - For 793659/793679 Valve Repair Kit - For 793629		793660 793630
44E	Discharge Valve Assembly Discharge Valve Assembly TNT-12 Discharge Valve Assy, Stainless Steel	2	793679 792873 793649
44Z	Valve Repair Kit - For 793659/793679 Valve Repair Kit - For 793649		793660 793650
45	Cage Cage TNT-12	4	794620 792835
48	Valve Cover Plate Valve Cover Plate TNT-12	4	794284 792817
49	Valve Cap Valve Cap TNT-12	4	792003 792804
60H	Gasket - Valve *	4	794198
61S	O-Ring (Buna-N) Std * O-Ring (FKM) * O-Ring (PTFE) * O-Ring (Neoprene) * O-Ring (Ethylene Propylene) *	4	792306 792308 792307 792309 792310

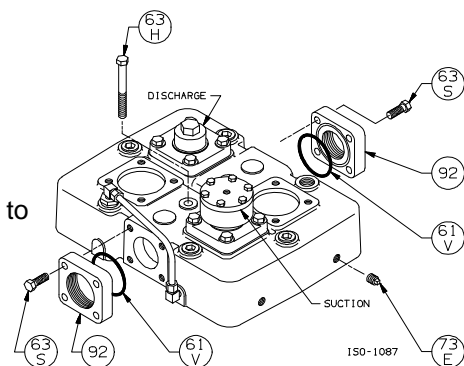
ISO1075

Ref	Description	Qty	Part No
61T	O-Ring (Buna-N) Std * O-Ring (FKM) * O-Ring (PTFE) * O-Ring (Neoprene) * O-Ring (Ethylene Propylene) *	4	792112 792213 792210 792110 792206
61V	O-Ring (Buna-N) Std * O-Ring (FKM) * O-Ring (PTFE) * O-Ring (Neoprene) * O-Ring (Ethylene Propylene) *	2	792412 792413 792414 792410 792411
63H	Capscrew - Hex Hd	2	794115
63S	Capscrew - Hex Hd	8	794096
63Y	Capscrew - Hex Hd	16	793094
65B	Valve Holddown Screw Valve Holddown Screw TNT-12	4	792002 792806
73E	Pipe Plug	2	793498
92	Flange-Inlet (2 NPT) Std Flange-Inlet (2 NPT) TNT-12 Flange-Outlet (1.5 NPT) Std Flange-Outlet (1.5 NPT) TNT-12 Flange (1.25 NPT) Flange (1.25 NPT) TNT-12	1 1	794117 792837 794116 792836 794118 792866

* Included in Gasket Sets



Head style used on units built prior to Jan. 1998. Replaced by the ANSI flanged head shown at left.



Head Assembly with Unloaders: HDL602C|B, HDL603C|B,

Head Assembly with Unloaders: HDL602C|B, HDL603C|B

Ref	Description	Qty	Part No
9E	Unloader Spring	2	793293
42A	Head Head TNT-12	1	794502 792877
43E	Suction Valve Assembly Suction Valve Assembly TNT-12 Suction Valve Assy, Stainless Steel	2	793659 792872 793629
43Z	Valve Repair Kit - For 793659/793679 Valve Repair Kit - For 793629		793660 793630
44E	Discharge Valve Assembly Discharge Valve Assembly TNT-12 Discharge Valve Assy, Stainless Steel	2	793679 792873 793649
44Z	Valve Repair Kit - For 793659/793679 Valve Repair Kit - For 793649		793660 793650
45	Cage Cage TNT-12	4	794620 792835
48	Valve Cover Plate Valve Cover Plate TNT-12	4	794284 792817
49	Valve Cap Valve Cap TNT-12	2	792003 792804
60H	Gasket - Valve *	4	794198
61S	O-Ring (Buna-N) Std * O-Ring (FKM) * O-Ring (PTFE) * O-Ring (Neoprene) * O-Ring (Ethylene Propylene) *	4	792306 792308 792307 792309 792310
61T	O-Ring (Buna-N) Std * O-Ring (FKM) * O-Ring (PTFE) * O-Ring (Neoprene) * O-Ring (Ethylene Propylene) *	4	792112 792213 792210 792110 792206
61V	O-Ring (Buna-N) Std * O-Ring (FKM) * O-Ring (PTFE) * O-Ring (Neoprene) * O-Ring (Ethylene Propylene) *	2	792412 792413 792414 792410 792411

Ref	Description	Qty	Part No
61Z	O-Ring (Buna-N) Std * O-Ring (FKM) * O-Ring (PTFE) * O-Ring (Neoprene) * O-Ring (Ethylene Propylene) *	2	792311 792313 792312 792314 792320
63H	Capscrew - Hex Hd	2	794115
63M	Capscrew - Hex Hd	12	790053
63S	Capscrew - Hex Hd	8	794096
63Y	Capscrew - Hex Hd	16	793094
65B	Valve Holddown Screw Valve Holddown Screw TNT-12	4	792002 792806
73E	Pipe Plug	2	793498
75D	Tube Elbow	1	790355
75E	Tube Tee	1	790356
76D	Tube	1	790192
92	Flange-Inlet (2 NPT) Std Flange-Inlet (2 NPT) TNT-12 Flange-Outlet (1.5 NPT) Std Flange-Outlet (1.5 NPT) TNT-12 Flange (1.25 NPT) Flange (1.25 NPT) TNT-12	1	794117 792837 794116 792836 794118 792866
98A	Actuator Assembly Actuator Assembly, for SS Valve	2	794296 794298
98B	Unloader Post w/bolt ¹ Unloader Post w/bolt ¹ , for SS Vlv	2	793291 794291
98C	Unloader Piston	2	793288
98D	Unloader Body	2	793286
98E	Unloader Plunger	2	794290
98F	Unloader Seal	4	792284
98G	Unloader Cap	2	793287
98H	Lockwasher (2 piece)	2	793473

* Included in Gasket Sets

¹ Unloader Post with bolt replaces earlier style unloader post with retainer ring.



Suggested Spare Parts for HD603B & HDL603B compressors:

Part #	Description	Qty./ Unit	Comm. Qty.	Spare Qty.
794594	Gasket Set - Buna-N	1	1	1
794593	Gasket Set - PTFE *			
794592	Gasket Set - FKM *			
794590	Gasket Set - Neoprene *			
794589	Gasket Set - Ethylene Propylene *			
793660	Suction Valve Repair Kit - PEEK	2		2
793630	Suction Valve Repair Kit - Stainless Steel *			
793660	Discharge Valve Repair Kit - PEEK	2		2
793650	Discharge Valve Repair Kit - Stainless Steel *			
792284	Unloader Seal *	4		4
793610	Piston Ring - Standard	6	6	6
793612	Piston Ring - Poly Filled *			
793614	Piston Ring Expander	6	6	6
794498	Packing Set	6	6	6
794726	Oil Filter *	1		6
794727	Wrist Pin	2		2
794749	Wrist Pin Bushing	2	2	2
794710	Conrod Bearing	2	2	2
The following parts would normally be required only for major compressor overhaul.				
794730	Inboard Bearing Cone	1		1
794731	Inboard Bearing Cup	1		1
794130	Outboard Bearing Cone	1		1
794131	Outboard Bearing Cup	1		1
794435	Crosshead Assembly	2		2
794728	Conrod Assembly	2		
794760	Oil Pump Repair Kit	1		
794708	Crankshaft Assembly	1		
794733	Bearing Adjustment Shim Kit	1		
794103	Cylinder (HD603B)	1		
792831	TNT-12 Treated Cyl. (HD603B) *			
794503	Cylinder (HDL603B)	1		
792876	TNT-12 Treated Cyl. (HDL603B) *			

* Optional Equipment on New Compressors