

Both of these models are obsolete. Parts availability may be limited.

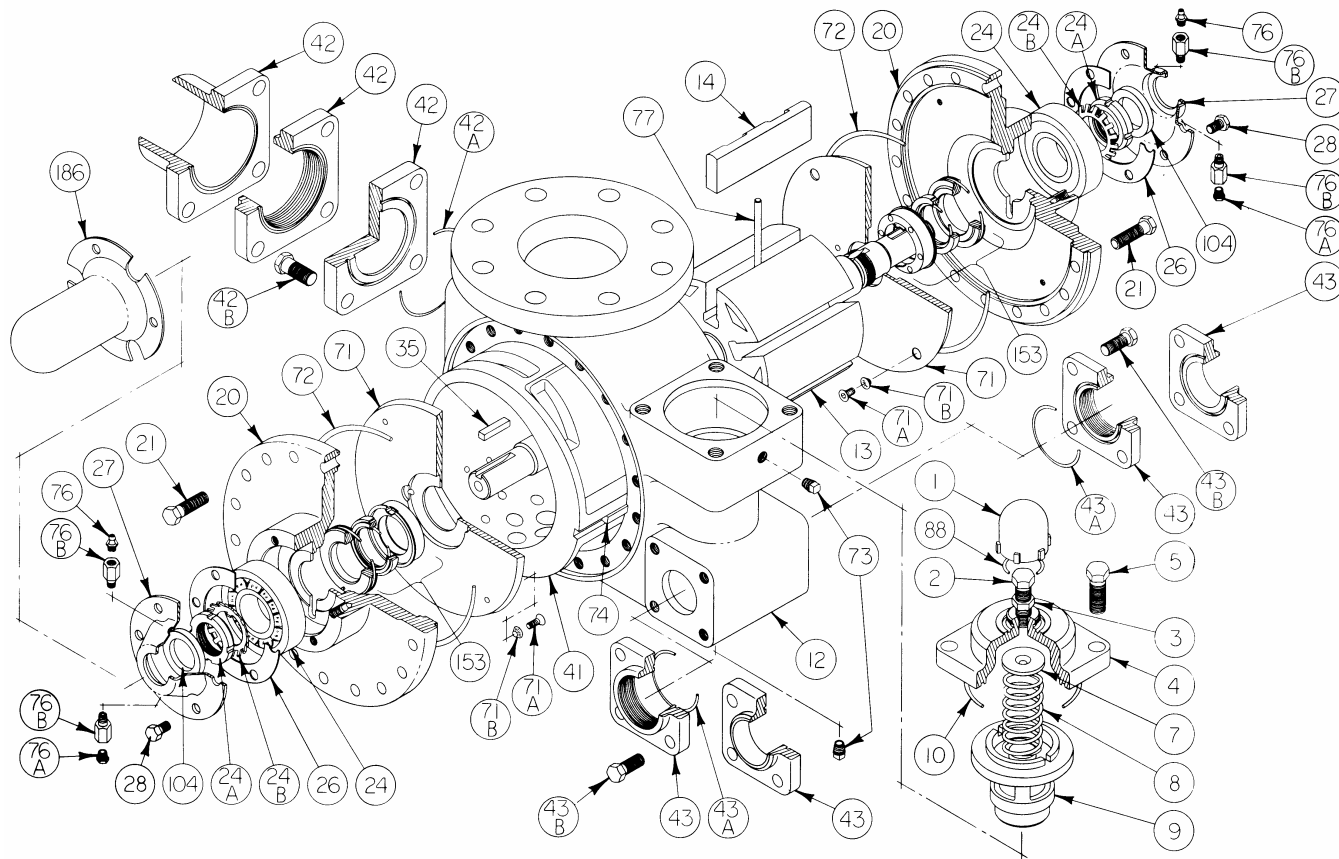
BLACKMER PARTS LIST

PUMP MODEL: TCRLF4A

DISCONTINUED MODEL: TCRLF4

(See Instructions 701-C00 for Installation, Operation and Maintenance)

Section 701
Effective July 2001
Replaces 785/G3 Feb88



Ref. No.	Description	Parts per Pump	TCRLF4A Part No.	TCRLF4 Part No.	Ref. No.	Description	Parts per Pump	TCRLF4A Part No.	TCRLF4 Part No.
1	Cap - R/V	1	413952	413952	42	Flange - 4" Weld	1-2	652005	652005
2	Screw - R/V Adjusting	1	436307	436307		Flange - 3" Weld		652007	652007
3	Locknut - Adjusting Screw	1	436355	436355		Flange - Blank		652000	652000
4	Cover - R/V	1	412001	412001	42A	O-Ring - Flange	2	701937	701937
5	Capscrew - R/V Cover	4	920663	920663	42B	Capscrew - Weld Flange	8	920663	920663
7	Guide - R/V Spring	1	426355	426355	TWIN DISCHARGE PORT OPTIONS				
8	Spring - Valve	1	472039	472039	43	Flange - 2" NPT	2	652010	652010
9	Valve - R/V	1	452001	452001		Flange - 2" Weld		652011	652011
10	O-Ring - R/V Cover	1	701946	701946	43A	O-Ring - 2" Flange	2	701919	701919
12	Casing - Pump	1	012039	012039	43B	Capscrew - Discharge Flange	8	920491	920491
13	Rotor & Shaft Asy. w/LN & LW (Ref. No. 24A & 24B)	1	262024	262022	71	Disc	2	062039	062039
14	Vane - Laminate	6	092026	092026	71A	Screw - Disc Machine	8	920015	920015
20	Head	2	032039	032039	71B	Lockwasher - Disc	8	909622	909622
21	Capscrews - Head	36	920532	920509	72	O-Ring - Head (Buna-N)	2	702039	702039
24	Ball Bearing	2	903172	903172	73	Plug - Gage	2	908195	908195
24A	Locknut - Bearing	2	903541	903523	74	Key - Liner	1	182040	182040
24B	Lockwasher - Bearing	2	903542	903524	76	Fitting - Grease	2	317815	317815
26	Gasket - Bearing Cover	2	385125	385125	76A	Fitting - Grease Relief	2	701992	701992
27	Cover - Inboard Bearing	2	041815	041815	76B	Coupling - Extension	4	701905	701905
28	Capscrews - Bearing Cover	12	920286	920286	77	Push Rod - Vane	3	122005	122001
35	Key - Shaft	1	909183	909183	88	O-Ring - R/V Cap	1	701926	701926
41	Liner - Casing	1	182000	182039	104	Seal - Grease	2	331908	331908
AUXILIARY INTAKE OPTIONS					186	Protector - Shaft End	1	341801	341801
42	Flange - 3" NPT	1-2	652012	652012					

Keep this parts list with Installation, Operation and Maintenance Instructions.

MECHANICAL SEAL

Ref. No.	Part Name	Parts per Pump	TCRLF4A Part No.	TCRLF4 Part No.
153	Mechanical Seal Assembly	2	332059	332059
153A	Seat – Stationary (Carbon)	2	332058	332058
153B	Face – Seal (Ceramic)	2	335130	335130
153C	Jacket Assembly – Seal	2	332018	332018
153D	O-Ring – Stationary (Buna-N)	2	701934	701934
153E	O-Ring – Rotating (Buna-N)	2	711912	711912

INTERCHANGEABILITY CHART

Part Name	TCRLF4	REF.	TCRLF4A	REF.
Push Rods	122001	C	122005	C
Liner	182039	B	182000	C
Rotor and Shaft	262022	A	262024	C
Bearing Locknut	903523	C	903541	C
Bearing Lockwasher	903524	C	903542	C

A = Interchangeable

B = Interchangeable but requires new push rods

C = Not Interchangeable

