

# BLACKMER PUMP PARTS LIST

## MODEL: TXV2 1/2

(See Instructions 285/C for Operation and Maintenance)

961603

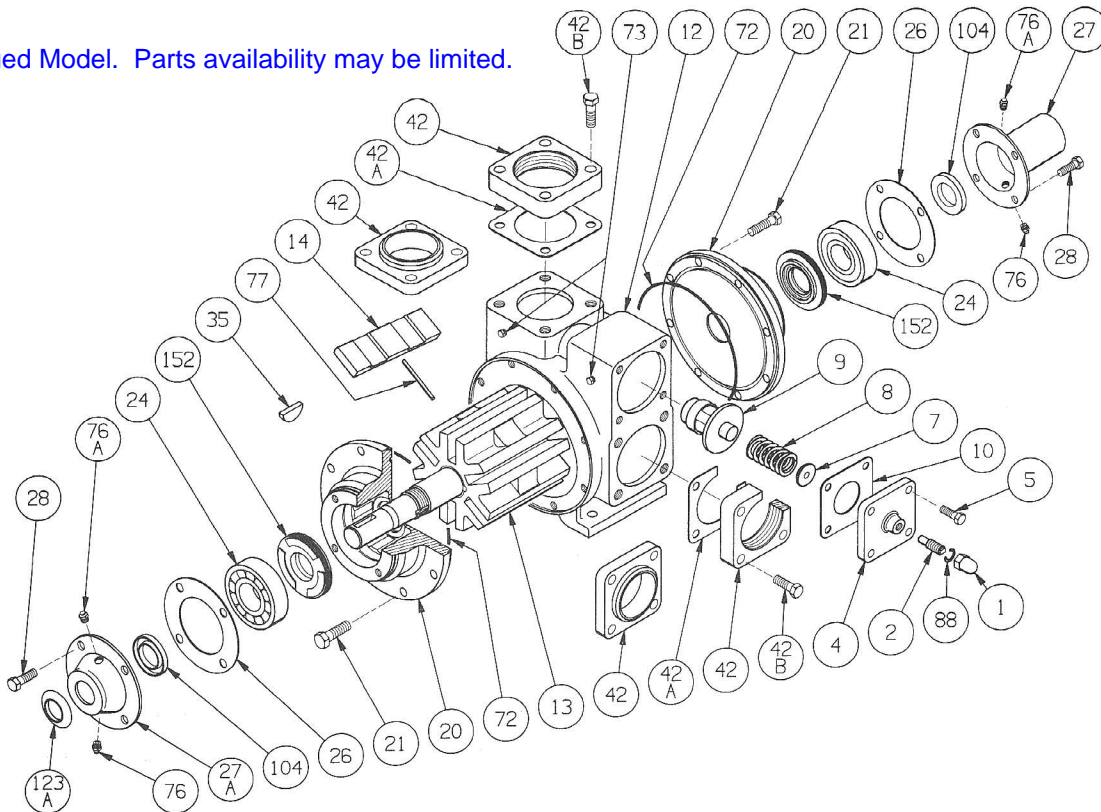
PARTS LIST NO. 285/C17

Section 200

Effective October 1993

Replaces New

Discontinued Model. Parts availability may be limited.



REF. NO.	PART NAME	PARTS PER PUMP	PART NO.	REF. NO.	PART NAME	PARTS PER PUMP	PART NO.
1	Cap - Relief Valve (R/V)	1	411452	26	Gasket - Bearing Cover	2	381406
2	Adjusting Screw - R/V	1	431401	27	Bearing Cover - Outboard	1	341600
4	Cover - R/V	1	411607	27A	Bearing Cover - Inboard	1	041431
5	Capscrew - R/V Cover	4	920316	28	Capscrews - Bearing Cover	8	920285
7	Spring Guide - R/V	1	423955	35	Key - Shaft	1	909130
8	Spring - R/V (51-110 psi)(Std.)	1	471631	42	Flange - 2" NPT	2	651603
	Spring - R/V (111-125 psi)		471614		Flange - 2 1/2" NPT		651611
	SS Spring - R/V (51-110 psi) <sup>1</sup>		471632		Flange - 2 1/2" Weld		651608
	SS Spring - R/V (111-125 psi) <sup>1</sup>		471615		Gasket - Flange		381650
9	Valve - R/V (Std.)	1	451623	42B	Capscrew - 2" NPT Flange	8	920471
	Valve - R/V (Nickel Plated)		451624		Capscrew - 2 1/2" NPT Flange		920532
10	Gasket - R/V Cover	1	531650		Capscrew - 2 1/2" Weld Flange		920491
12	Cylinder	1	021605	72	O-Ring - Head (Viton) (Std.)	2	701914
					O-Ring - Head (Teflon)		702242
14	Vane - Bronze (Std.)	6	091624	73	Gage Plug	2	908198
	Vane - Cast Iron		091621	76	Grease Fitting	2	317815
	Vane - Duravane		091619	76A	Grease Relief Fitting	2	701992
	Vane - Laminate		091627	77	Push Rod	3	121607
20	Head (Std.)	2	031425	88	Gasket - R/V Cap	1	701981
	Head with Drain (Opt.)		031426	104	Grease Seal	2	331918
21	Capscrews - Head	16	920331	123A	Dirt Shield	1	701480
24	Ball Bearing	2	903156	152	Lip Seal Assembly	2	See Backside

<sup>1</sup> Stainless Steel Spring

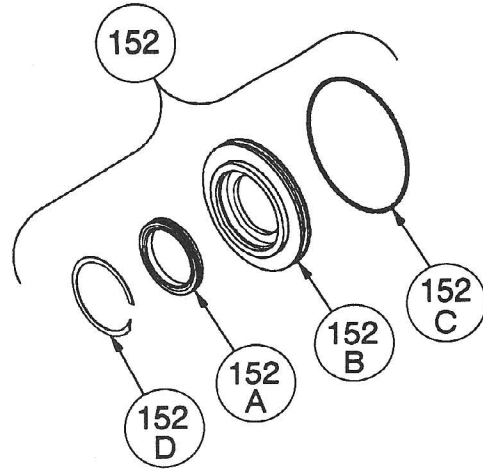
Viton and Teflon are Registered Trademarks of E.I. DuPont.

**IMPORTANT NOTE:** This parts list should be kept with Installation, Operation and Maintenance Instructions 285/C.

**PARTS LIST NO. 285/C18**

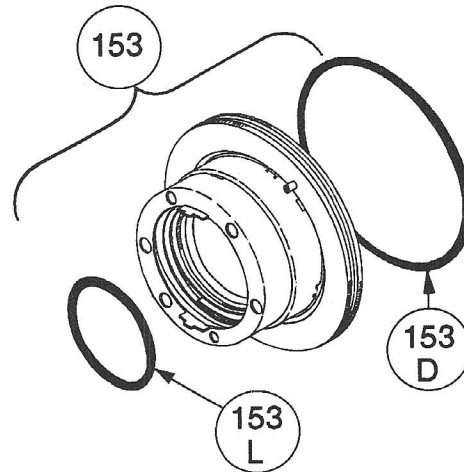
**LIP SEAL - STANDARD**

REF. NO.	PART NAME	PARTS PER PUMP	PART NO.
152	Lip Seal Complete - Lip Seal, Housing w/ Viton O-Ring. (Std.)	2	331664
	Lip Seal Complete - Lip Seal, Housing w/ Teflon O-Ring.		331665
152A	Lip Seal	2	331662
152B	Housing - Lip Seal	2	331663
152C	O-Ring - Housing (Viton)	2	701921
	O-Ring - Housing (Teflon)		702056
152D	Retaining Ring - Lip Seal	2	903562



**MECHANICAL SEAL - OPTIONAL**

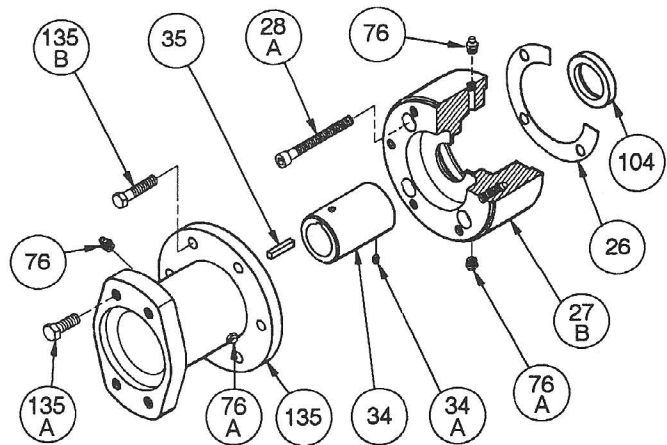
REF. NO.	PART NAME	PARTS PER PUMP	PART NO.
153	Mechanical Seal Complete - Cast Iron Stationary Seat, Carbon Seal Face, Viton O-Rings.	2	331655
	Mechanical Seal Complete - Cast Iron Stationary Seat, Teflon O-Ring, Carbon Seal Face w/ Teflon Seal Ring.		331673
153D	O-Ring - Stationary (Viton)	2	701921
	O-Ring - Stationary (Teflon)		702056
153L	O-Ring - Rotating (Viton)	2	701980
	Seal Ring - Rotating (Teflon)		**



\*\* Teflon Rotating Seal Ring is not available as a separate part.

**OPTIONAL HYDRAULIC ADAPTER PARTS**

REF. NO.	PART NAME	PARTS PER PUMP	PART NO.
26	Gasket - Bearing Cover	1	383940
27B	Bearing Cover	1	831400
28A	Capscrew - Bearing Cover/Head	4	920408
34	Coupling	1	906926
34A	Setscrew - Coupling	1	922075
35	Key - Coupling	1	909184
76	Grease Fitting	2	317815
76A	Grease Relief Fitting	2	701992
104	Grease Seal	1	331918
135	Hydraulic Motor Adapter	1	041801
135A	Capscrew - Adapter/Motor	4	920457
135B	Capscrew - Adapter/Bearing Cover	6	920331



**blackmer**

A **DOVER** RESOURCES COMPANY

1809 Century Avenue, Grand Rapids, Michigan 49509, U.S.A.  
 (616) 241-1611 • Telex: 4320148 • Fax: (616) 241-3752