

BLACKMER PUMP PARTS LIST

PARTS LIST NO. 185/ZB1

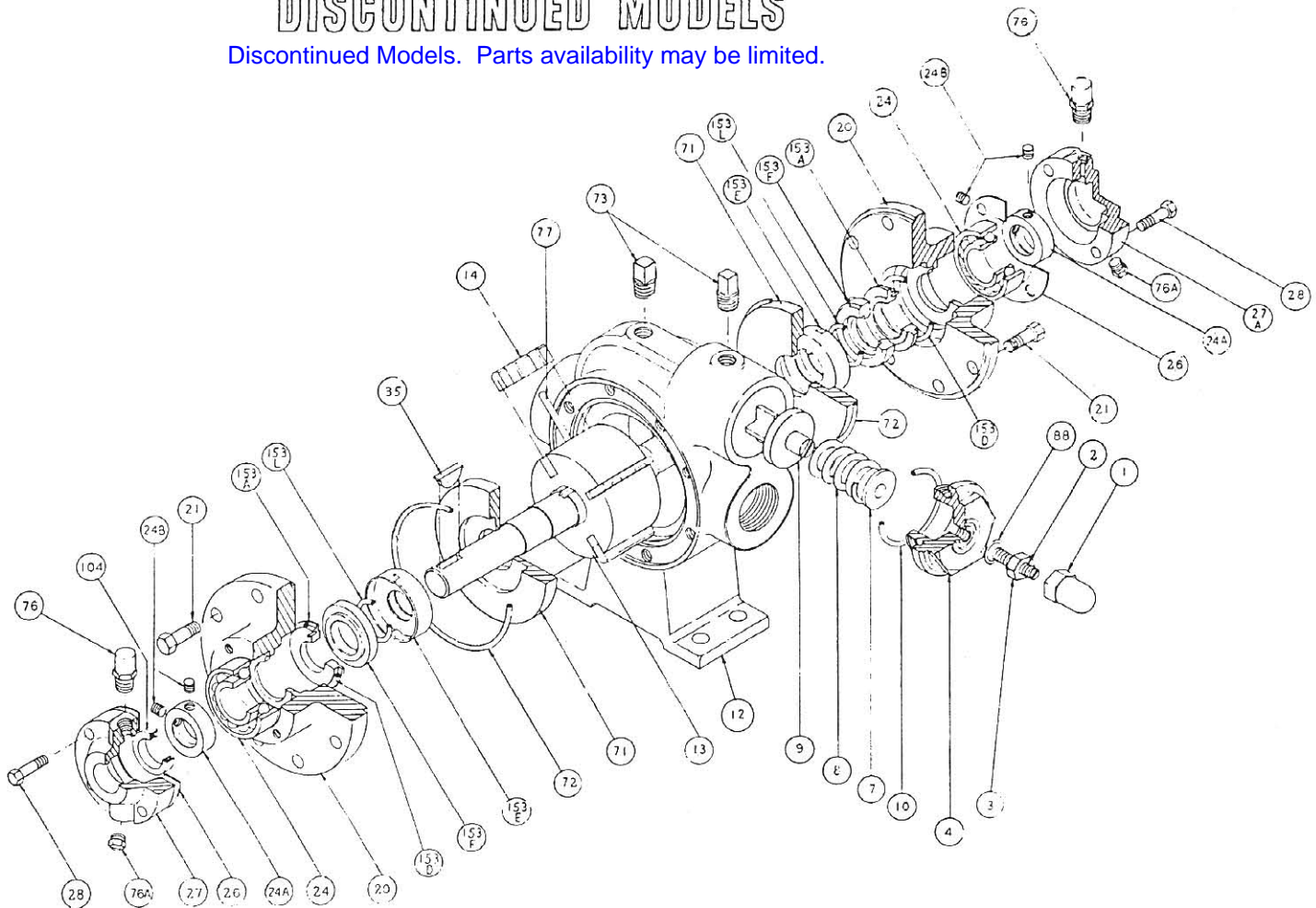
MODELS: X(F)1¼A, XS(F)1¼A, X(F)1½A, XS(F)1½A

Section 100
Effective February 1982
Replaces May 1971

(See Instructions 185/ZB for Operation and Maintenance)

DISCONTINUED MODELS

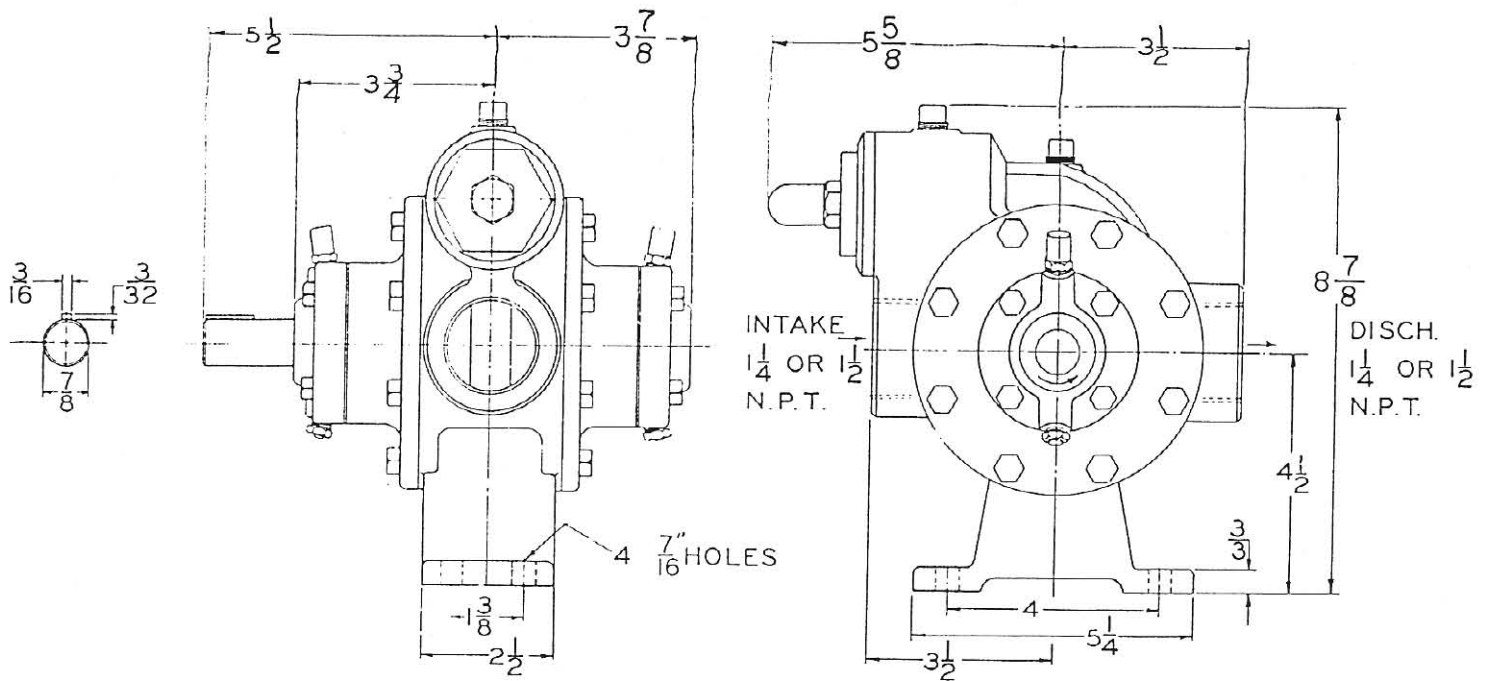
Discontinued Models. Parts availability may be limited.



DON'T FORGET THE SERIAL NUMBER . . .

Would you like to be sure of getting the right material and have your order serviced faster? Then, also include the Pump Model Designation and the Pump Serial Number — both are stamped into a name-plate on the pump cylinder. Your serial number is a key to our records.

REF. NO.	PART NAME	NO. PARTS PER PUMP	PART NO.	REF. NO.	PART NAME	NO. PARTS PER PUMP	PART NO.
1	Valve Cap	1	413200	20	Head	2	033070
2	Adjusting Screw	1	433909	21	Head Capscrew	16	920276
3	Locknut	1	922923	24	Bearing	2	903114
4	Valve Cover	1	413075	24A	Bearing Thrust Collar	2	703075
7	Spring Guide	1	423955	24B	Thrust Collar Set Screw	4	922079
8	Valve Spring 20-30 PSI	1	471415	26	Bearing Cover Gasket	2	383075
	Valve Spring 31-50 PSI		471420	27	Bearing Cover Inboard	1	043075
	Valve Spring 51-79 PSI		471428	27A	Bearing Cover Outboard	1	043077
	Valve Spring 80-150 PSI		471426	28	Bearing Cover Capscrew	8	920080
9	Valve	1	453079	35	Key	1	909125
10	"O" Ring — Valve Cover	1	711924	71	Disc	2	063075
12	Cylinder — 1¼A	1	023075	72	"O" Ring — Head	2	701918
	Cylinder — 1½A		023375	73	Plug	2	908195
13	Rotor & Shaft —	1	263075	76	Grease Fitting	2	317815
	Viscosities up to 5000 SSU			76A	Grease Relief Fitting	2	701992
14	Vane — Composition	4	093085	77	Push Rod — 1¼A	2	123076
	Vane — XCL Composition		093087		Push Rod — 1½A		123401
	Vane — Bronze		093080	88	"O" Ring — Cap	1	701949
	Vane — Iron		093081	104	Grease Seal	1	331927



MECHANICAL SEALS

REF. NO.	PART NAME	NO. PARTS PER PUMP	PART NO.
MECHANICAL SEALS—X MODEL			
153	Mechanical Seal Complete	2	333045
153A	Stationary Seat — Steel	2	333061
153D	"O" Ring — Stationary — Buna N	2	711916
153E	Seal Jacket Assembly	2	333057
153F	Seal Face	2	333053
153L	"O" Ring — Rotating — Buna N	2	711915
MECHANICAL SEALS—TEFLON FITTED—XS MODEL			
153	Mechanical Seal Complete — Steel Stationary Seat	2	333049
	Mechanical Seal Complete — Stainless Steel Stationary Seat		333042
153A	Stationary Seat — Steel	2	333061
	Stationary Seat — Stainless Steel		333064
153D	"O" Ring — Stationary — Buna N	2	711916
153E	Seal Jacket Assembly	2	333057
153F	Seal Face	2	333053
153L	Seal Ring — Rotating — Teflon Cone	1	711961