

BLACKMER PUMP PARTS LIST

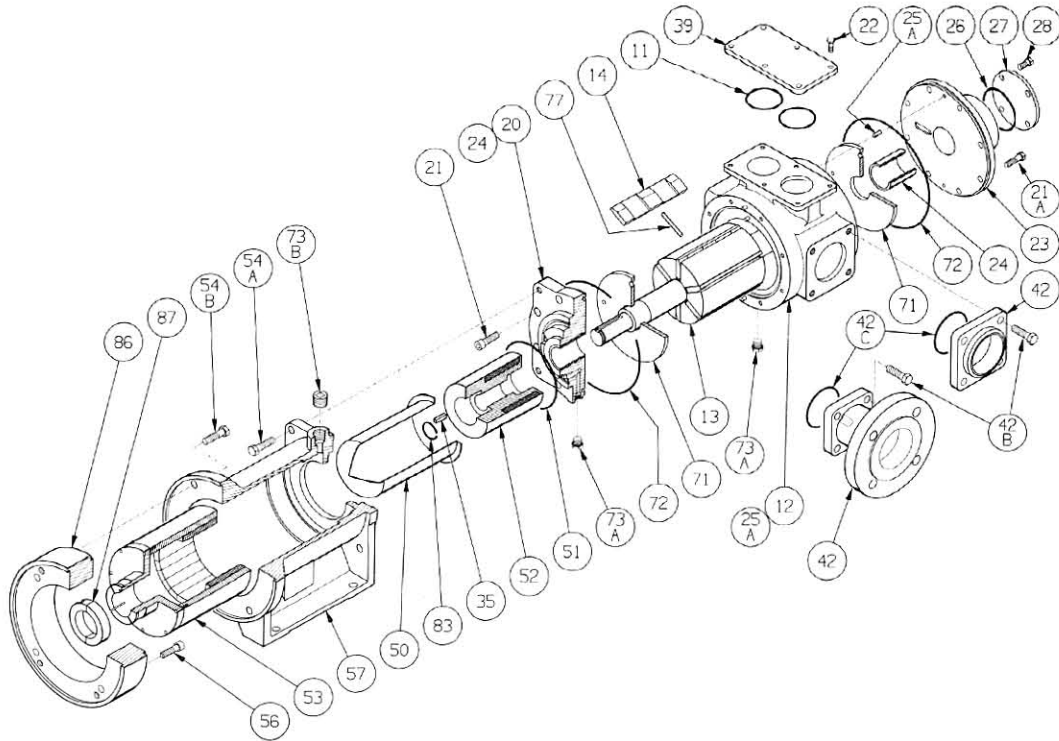
MODEL: SMVP200

964501
PARTS LIST NO. 185/U11

Section	100
Effective	September 1993
Replaces	New

(See Instructions 185/UU for Operation and Maintenance)

Discontinued Models. Parts availability may be limited.



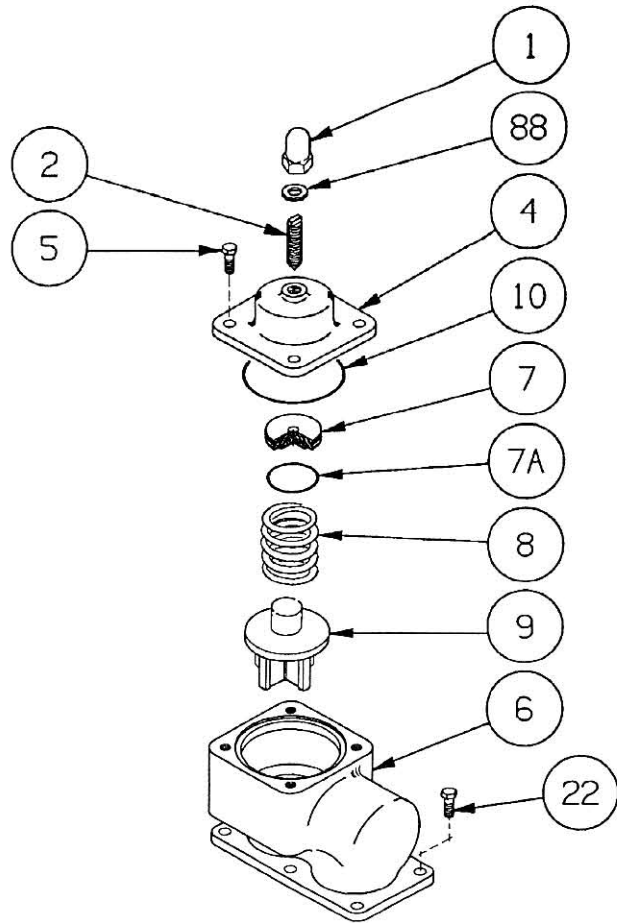
REF. NO.	PART NAME	PARTS PER PUMP	PART NO.	REF. NO.	PART NAME	PARTS PER PUMP	PART NO.
11	O-Ring - Blanking Plate	2	702078	50	Containment Can	1	684501
12	Cylinder	1	024500	51	O-Ring - Containment Can	1	702239
13	Rotor & Shaft	1	264500	52	Inner Magnet (MC80)	1	684509
14	Vane - Duravane	6	094500	53	Inner Magnet (MC130)	1	684510
	Vane - Chem Vane		094501		Outer Magnet (MC80) 254-256TC Frame		684518
20	Inboard Head & Bushing Asy.	1	034500	53	Outer Magnet (MC80) 284-286TC Frame	1	684519
21	Capscrews - Inboard Head	8	920340		Outer Magnet (MC130) 284-286TC Frame		684520
21A	Capscrews - Outboard Head	8	920365	54A	Capscrews - Housing/Head	4	920467
22	Capscrews - Blanking Plate	6	920335	54B	Capscrews - Housing/Adapter	4	920535
23	Outboard Head & Bushing Asy.	1	034501	56	Capscrews - Adapter/Motor 254-256TC Frame	4	920510
24	Sleeve Bearing	2	164500		Capscrews - Adapter/Motor 284-286TC Frame		920553
25A	Dowel Pin	6	930564	57	Magnet Housing	1	684530
26	O-Ring - Bearing Cover	1	702078	71	Disc - Carbon	2	064501
27	Bearing Cover	1	044500		Disc - Chem Disc		064500
28	Capscrews - Bearing Cover	4	920335	72	O-Ring - Head (Teflon)	2	702202
35	Key - Shaft	1	909168	73A	Drain Plug (SAE #6) w/ Teflon O-Ring	2	908213
39	Blanking Plate	1	494500	73B	Inspection Plug (3/4" NPT)	1	908223
42	Flange - 3" Weld	0-2	652201	77	Push Rod	3	124500
	Flange - 3" ANSI		654500	83	Snap Ring	1	903596
	Flange - 3" DIN		654501	86	Motor Adapter - 254-256TC Frame	1	834501
42B	Capscrew - Flange	0-8	920516		Motor Adapter - 284-286TC Frame	1	834502
42C	O-Ring - Flange (Teflon)	0-2	702101	87	Lockcollar - Outer Magnet	1	684505

IMPORTANT NOTE: This parts list should be kept with Installation, Operation and Maintenance Instructions No. 185/UU.

PARTS LIST NO. 185/U12

RELIEF VALVE - OPTIONAL

REF. NO.	PART NAME	PARTS PER PUMP	PART NO.
1	Cap - Relief Valve (R/V)	1	413151
2	Adjusting Screw - R/V	1	433101
4	Cover - R/V	1	414500
5	Capscrews - R/V Cover	4	920335
6	Body - R/V	1	404500
7	Spring Guide - R/V	1	424500
7A	O-Ring - Spring Guide	1	702110
8	Spring - R/V (35-75 psi)	1	471807
	Spring - R/V (76-125 psi)		471808
9	Valve - R/V	1	452201
10	O-Ring - R/V Cover	1	702080
22	Capscrews - R/V Body	6	920335
88	Gasket - R/V Cap	1	533101



blackmer

A **DOVER** RESOURCES COMPANY

1809 Century Avenue, Grand Rapids, Michigan 49509, U.S.A.
 (616) 241-1611 • Telex: 4320148 • Fax: (616) 241-3752