

BLACKMER PUMP PARTS LIST

MODELS: HXL10C-N, HXLS10C-N

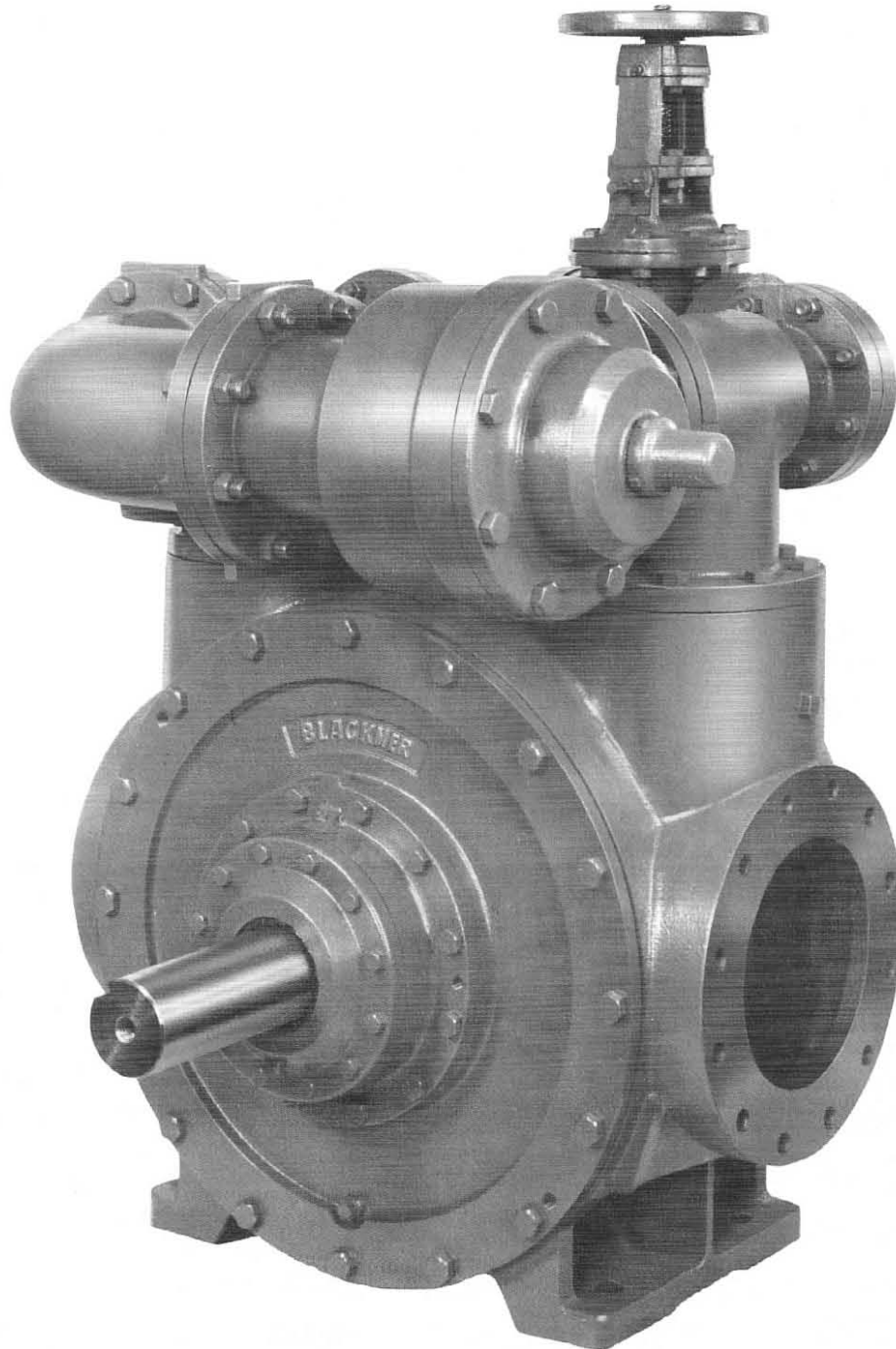
(See Instructions 185/EE for Operation and Maintenance)

Discontinued Models. Parts Availability May be Limited.

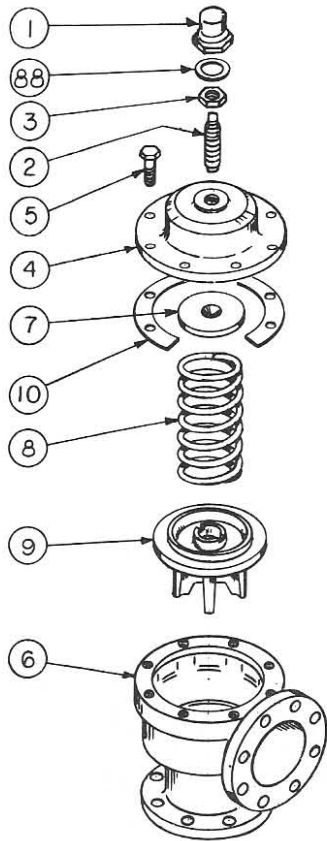
967601

PARTS LIST NO. 185/E15

Section	100
Effective	February 1988
Replaces	August 1983



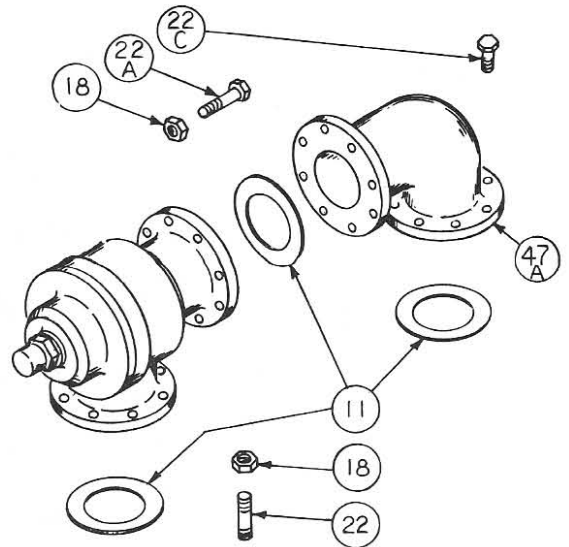
RELIEF VALVE



REF. NO.	PART NAME	PARTS PER PUMP	PART NO.
1	Cap - Valve	1	417710
2	Screw - Adjusting	1	437205
3	Locknut	1	436655
4	Cover - Valve	1	417600
5	Capscrews - Cover	8	920761
6	Body - RV	1	407600
7	Guide - Spring	1	427250
8	Spring (35-50 PSI)	1	477250
	Spring (51-100 PSI)		477251
	Spring (101-150 PSI)		*
9	Valve	1	457250
10	Gasket - Cover	1	537250
88	Gasket - Cap	1	536652

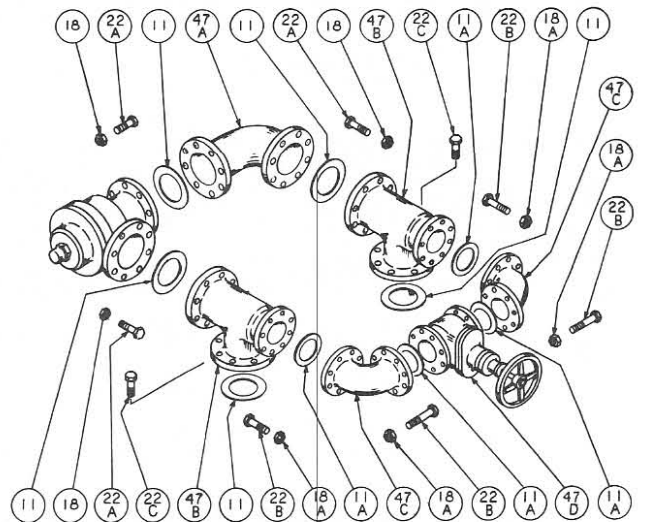
* Use springs 477250 and 477251 nested together.

INTERNAL RELIEF VALVE



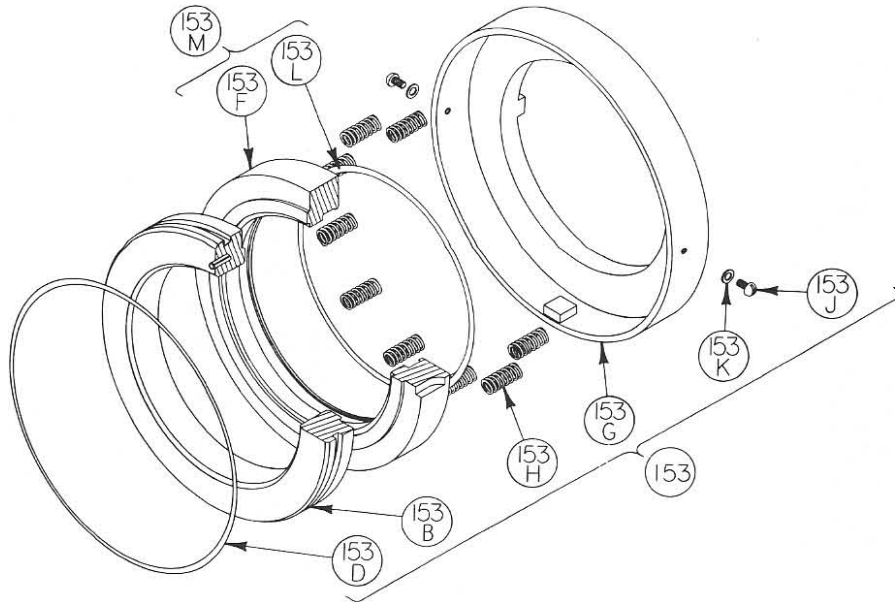
REF. NO.	PART NAME	PARTS PER PUMP	PART NO.
11	Gasket - Flange	3	387511
18	Nut	10	922875
22	Stud	2	921649
22A	Capscrews	8	920811
22C	Capscrews	14	920780
47A	Flange - Elbow	1	908677

RELIEF VALVE AND MANUAL BYPASS ASSEMBLY



REF. NO.	PART NAME	PARTS PER PUMP	PART NO.
47A	Flange - Elbow	1	908677
47B	Reducing Tee	2	908678
47C	Elbow	2	908676
47D	Valve - Gate	1	908067
11	Gasket - Flange	5	387511
11A	Gasket - Flange	4	386911
18	Nut	24	922875
18A	Nut	32	922865
22A	Capscrews	24	920819
22B	Capscrews	32	920720
22C	Capscrews	16	920780

MECHANICAL SEAL



MECHANICAL SEAL - STANDARD

REF. NO.	PART NAME	PARTS PER PUMP	PART NO.
153	Mechanical Seal Assembly	2	337660
153B	Seat - Stationary (Ni-Resist)	2	337605
153D	O-Ring, Stationary (Buna-N)	2	711903
153F	Face - Carbon Seal	2	337610
153G	Jacket Assembly - Seal	2	337630
153H	Spring - Seal	24	337716
153J	Screw	4	922740
153K	Lockwasher	4	909608
153L	O-Ring, Rotating (Buna-N)	2	701945

MECHANICAL SEAL - OPTIONAL

REF. NO.	PART NAME	PARTS PER PUMP	PART NO.
153	Mechanical Seal Assembly	2	337664
153B	Seat - Stationary (Ni-Resist)	2	337605
153D	O-Ring, Stationary (Viton)	2	711934
153F	Face - Bronze Seal	2	337612
153G	Jacket Assembly - Seal	2	337630
153H	Spring - Seal	24	337716
153J	Screw	4	922740
153K	Lockwasher	4	909608
153L	O-Ring, Rotating (Viton)	2	711932

MECHANICAL SEAL - OPTIONAL

REF. NO.	PART NAME	PARTS PER PUMP	PART NO.
153	Mechanical Seal Assembly	2	337661
153B	Seat - Stationary (Ni-Resist)	2	337605
153D	O-Ring, Stationary (Viton)	2	711934
153G	Jacket Assembly - Seal	2	337630
153H	Spring - Seal	24	337716
153J	Screw	4	922740
153K	Lockwasher	4	909608
153M	Seal Face & Seal Ring Assembly - Carbon/Teflon	2	337644

MECHANICAL SEAL - OPTIONAL

REF. NO.	PART NAME	PARTS PER PUMP	PART NO.
153	Mechanical Seal Assembly	2	337665
153B	Seat - Stationary (Ni-Resist)	2	337605
153D	O-Ring, Stationary (Viton)	2	711934
153F	Face - Carbon Seal	2	337610
153G	Jacket Assembly - Seal	2	337630
153H	Spring - Seal	24	337716
153J	Screw	4	922740
153K	Lockwasher	4	909608
153L	O-Ring, Rotating (Viton)	2	711932

MECHANICAL SEAL - OPTIONAL

REF. NO.	PART NAME	PARTS PER PUMP	PART NO.
153	Mechanical Seal Assembly	2	337663
153B	Seat - Stationary (Ni-Resist)	2	337605
153D	O-Ring, Stationary (Buna-N)	2	711903
153F	Face - Bronze Seal	2	337612
153G	Jacket Assembly - Seal	2	337630
153H	Spring - Seal	24	337716
153J	Screw	4	922740
153K	Lockwasher	4	909608
153L	O-Ring, Rotating (Buna-N)	2	701945