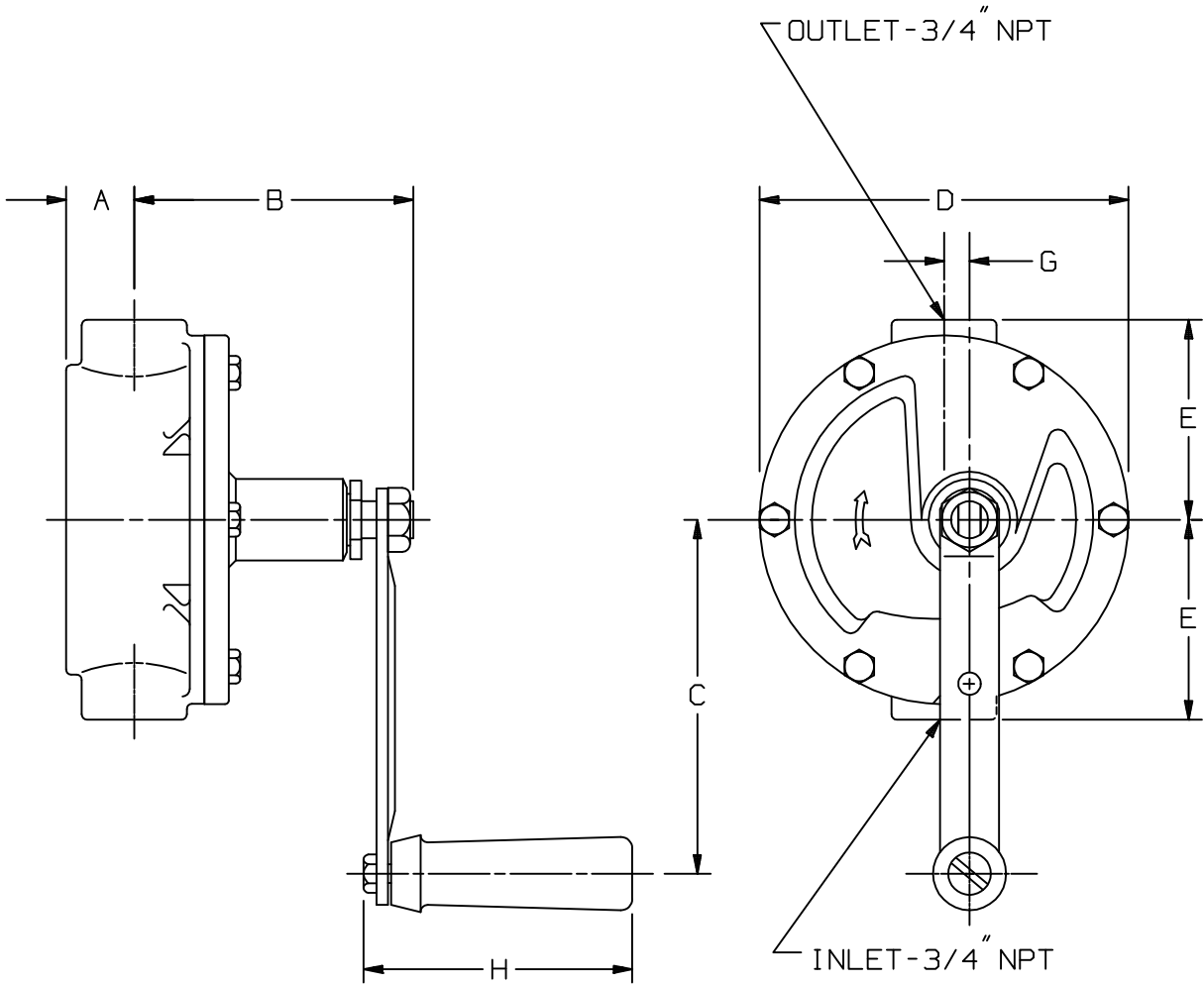




TYPE	SIZE	UNIT STYLE
210A F210A	.75	PA

DIMENSIONS 301-101	
Section Effective Replaces	301 September 1989 New

RIGHT HAND ROTATION



MODEL	UNIT	A	B	C	D	E	G	H	APPROX. WT.	
									LBS.	KG
PA 210A & F210A	IN	1-3/16	5-5/16	6	6-1/4	3-1/2	1/2	4-3/8	12	6
	MM	30.2	135.0	152.4	158.8	88.9	12.7	111.1		